

FIG. 1

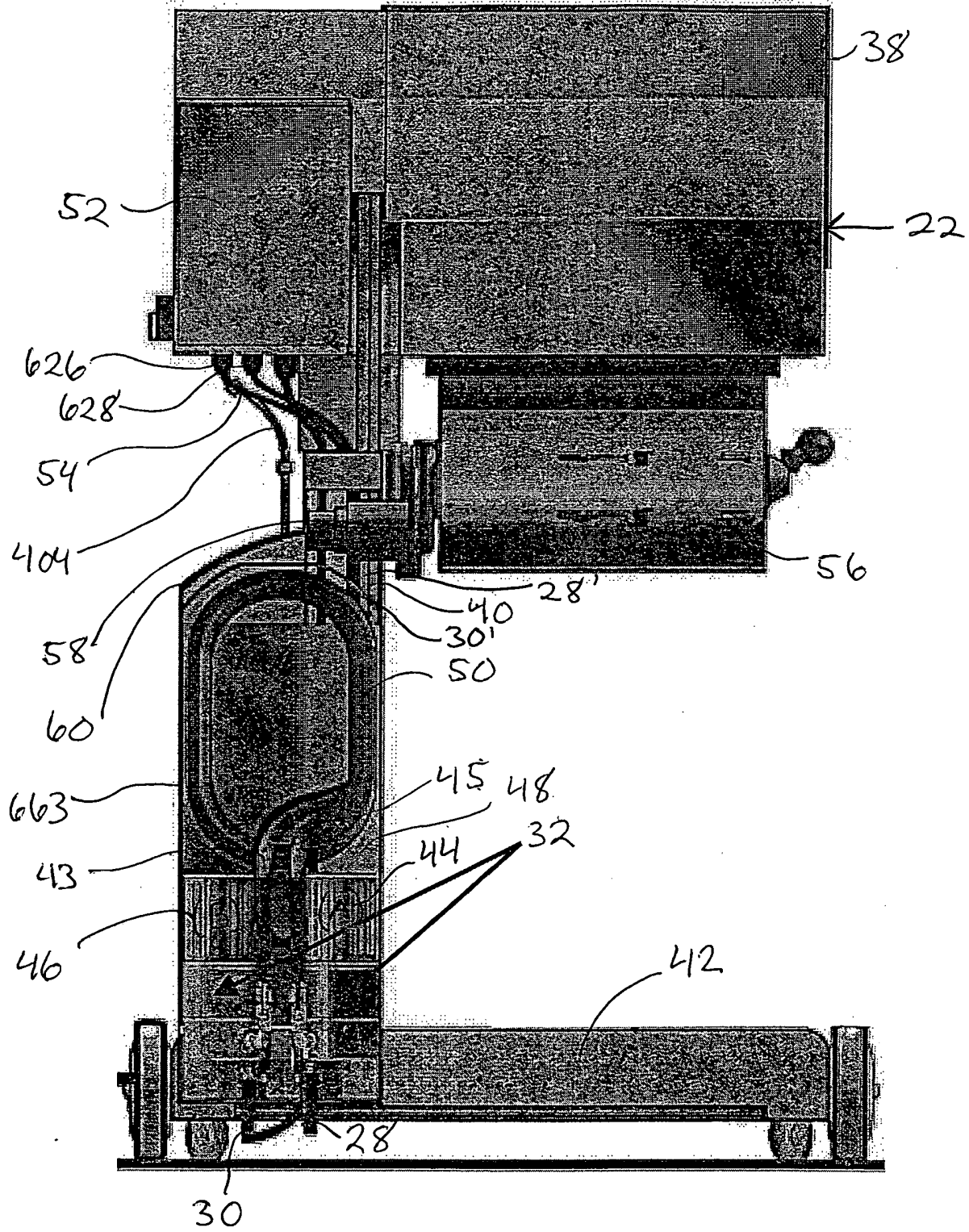


FIG. 2

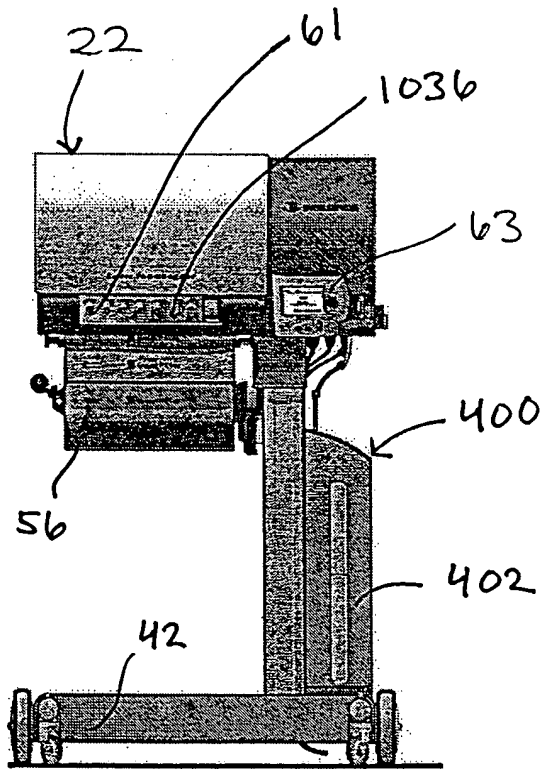


FIG. 3

FIG 4

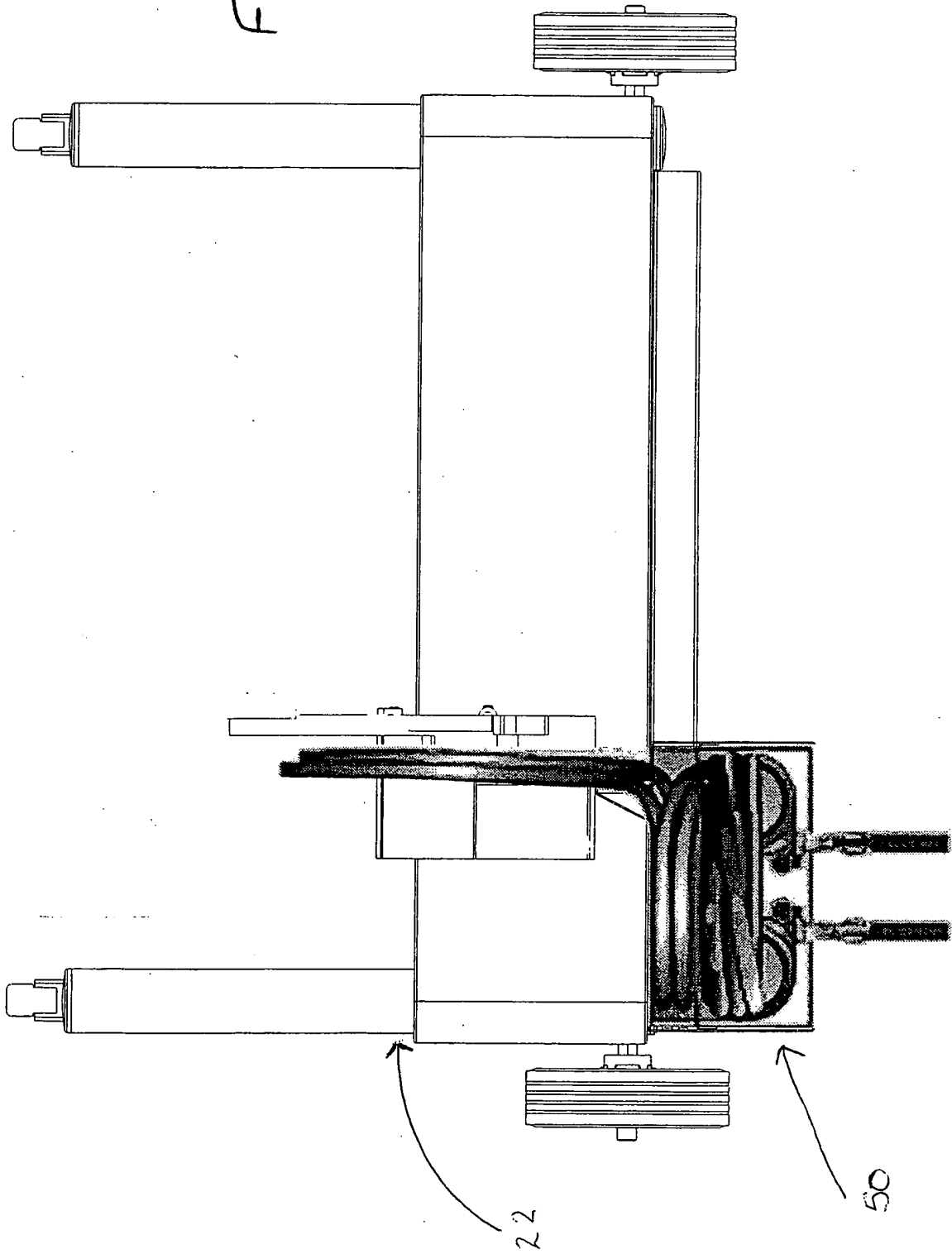


FIG-5

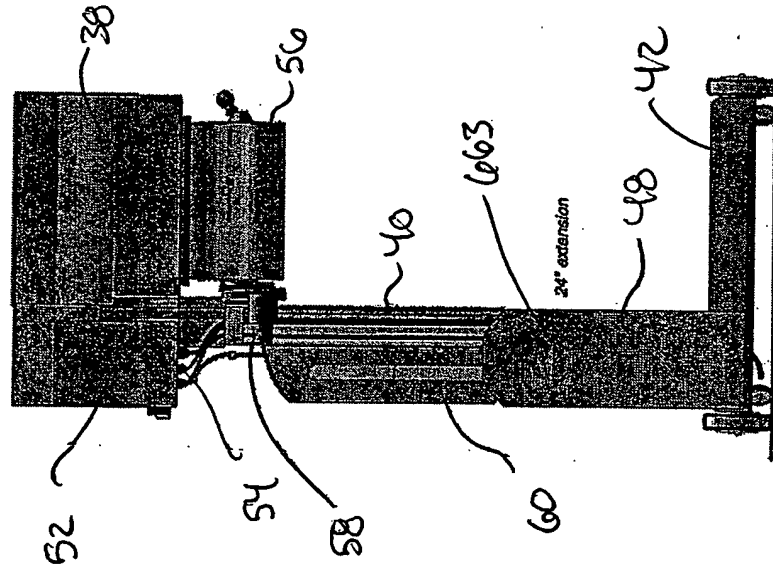


FIG. 6

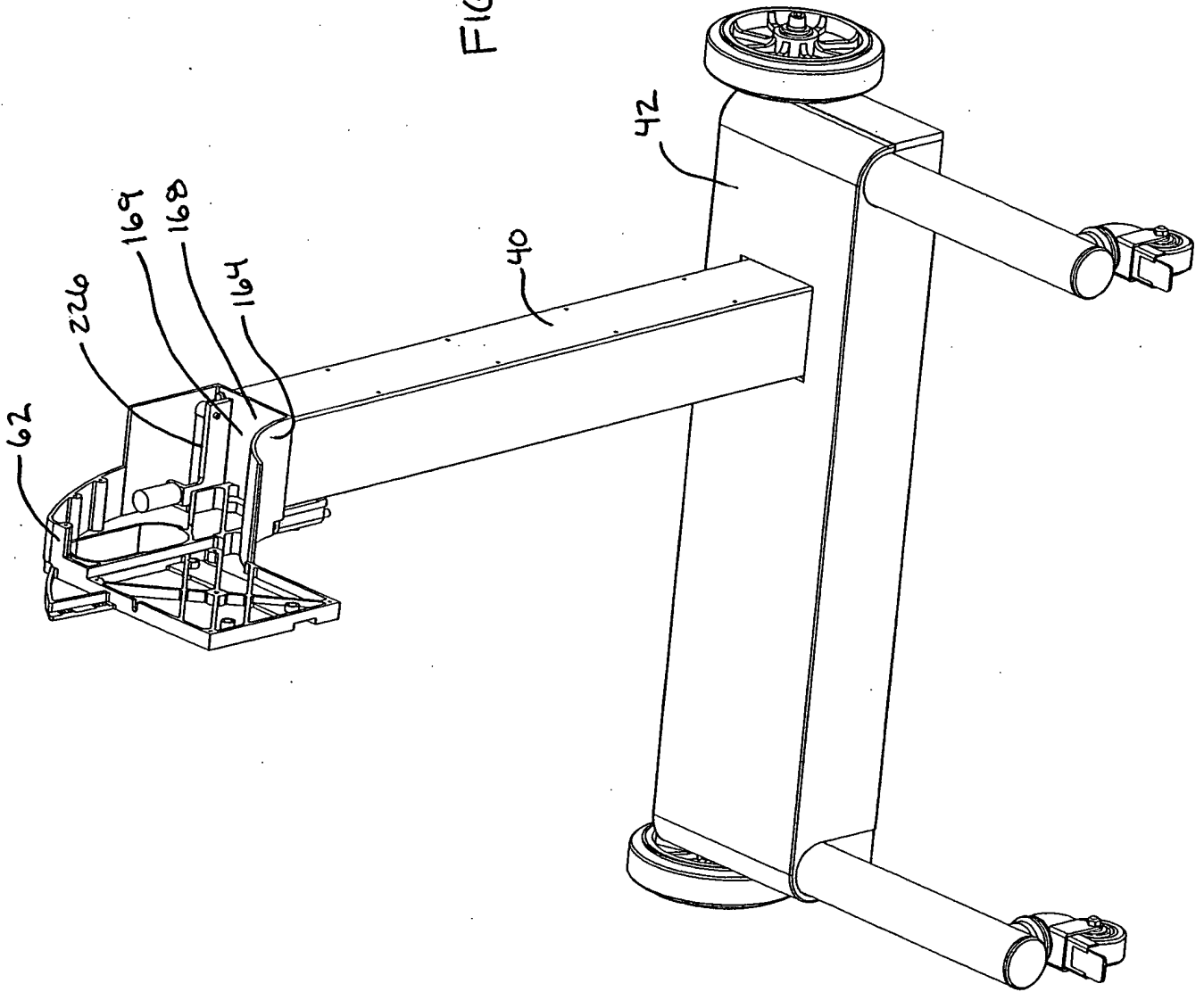


FIG. 8

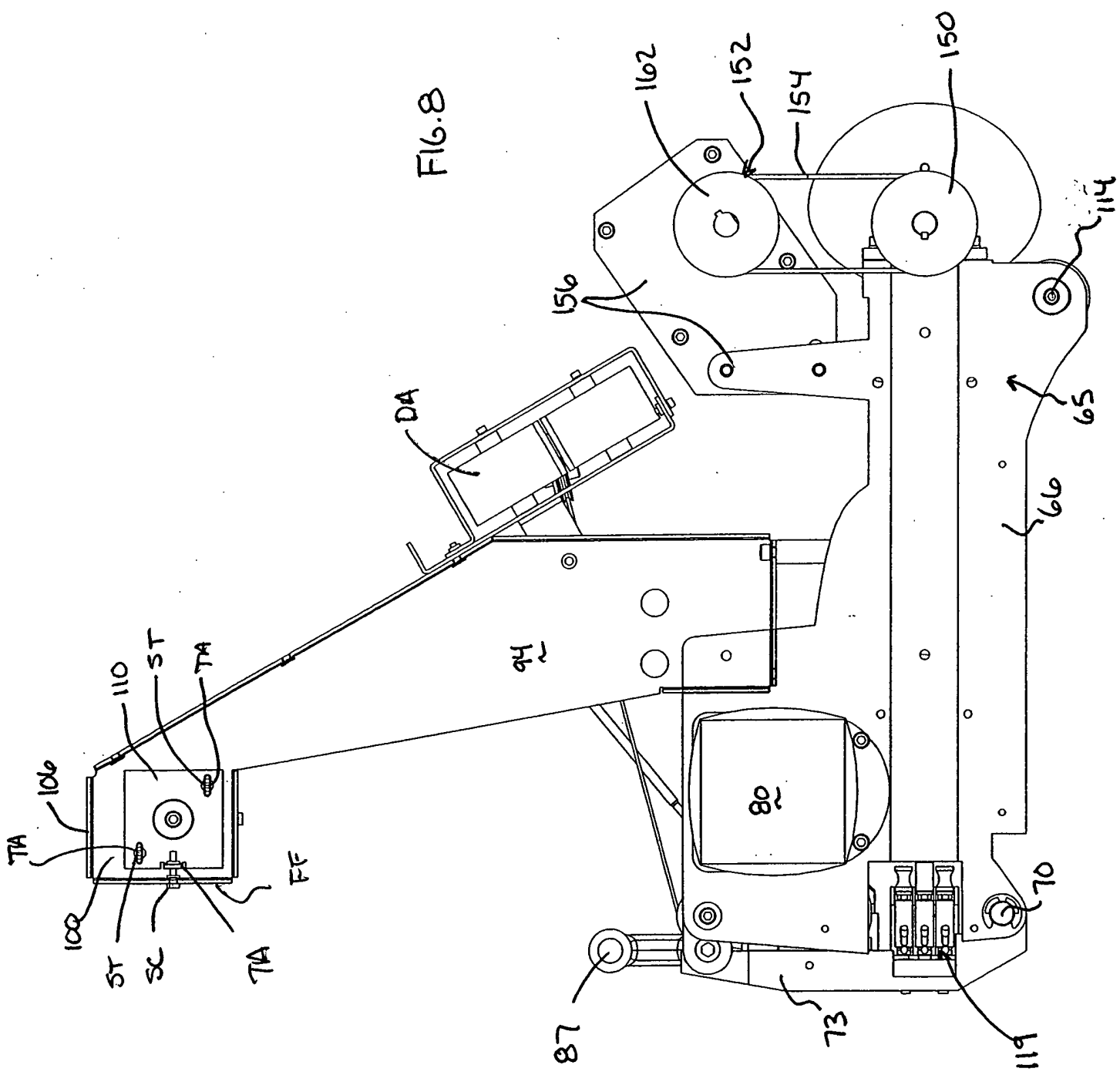
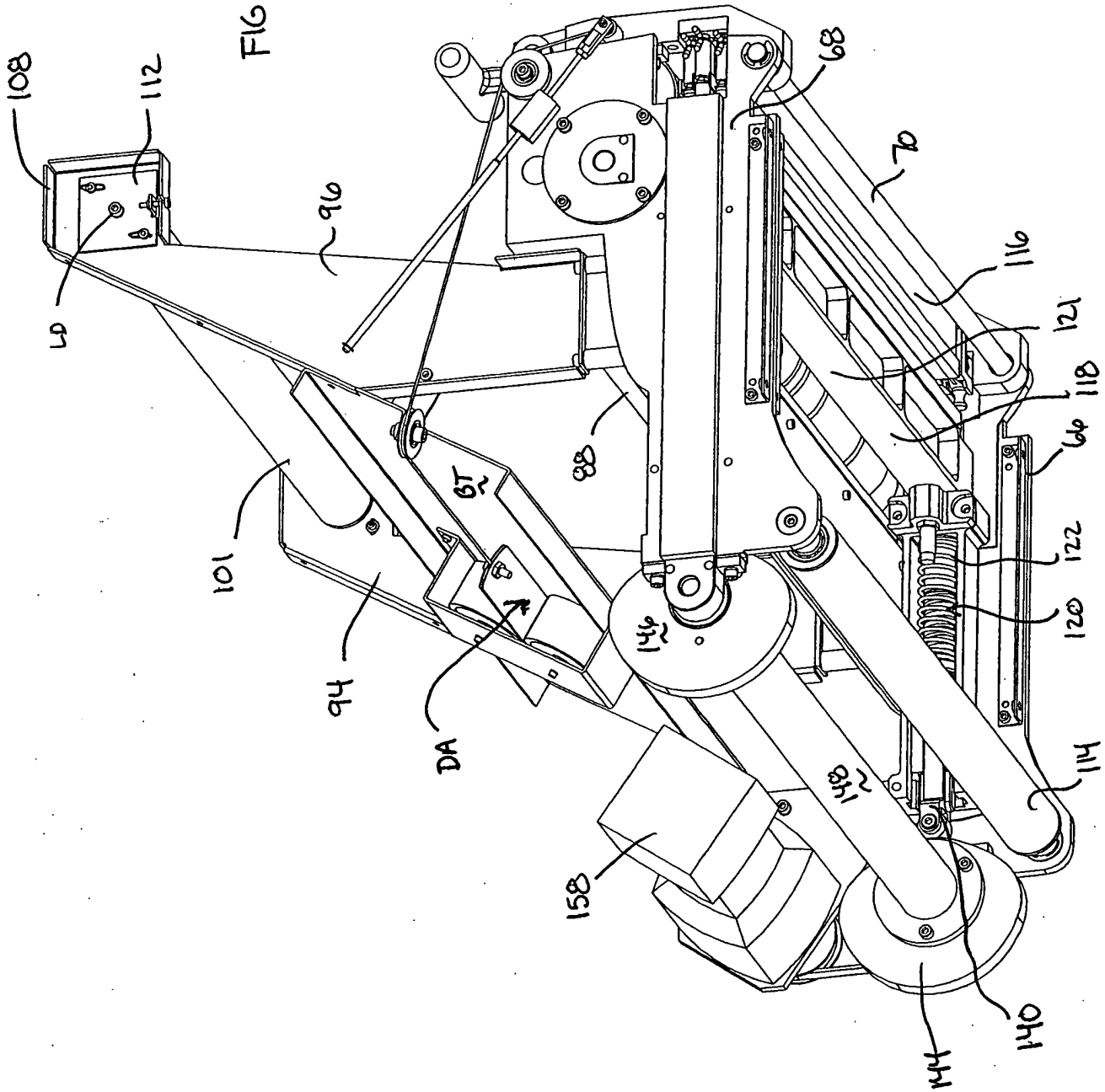


FIG. 9



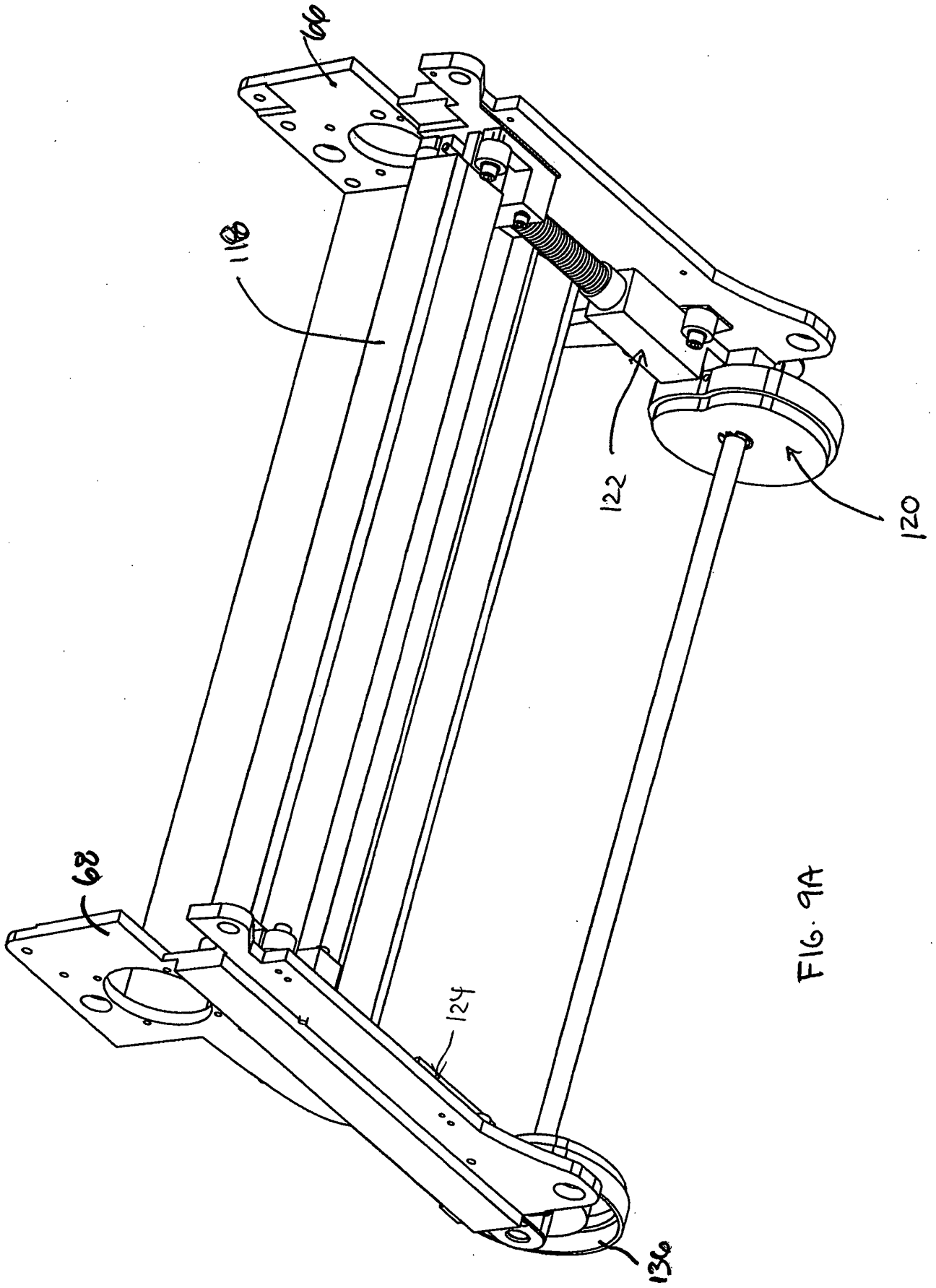


FIG. 9A

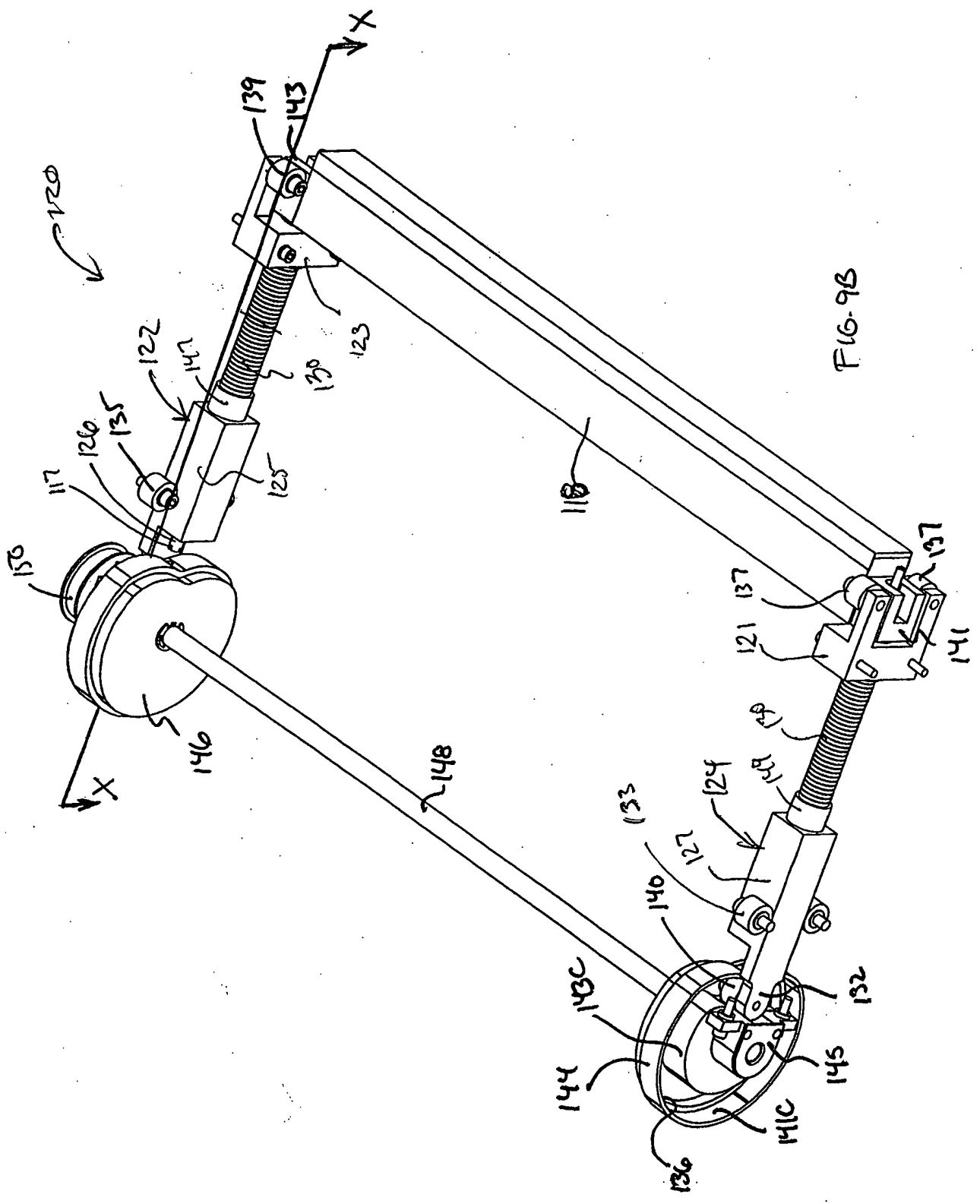


FIG. 9B

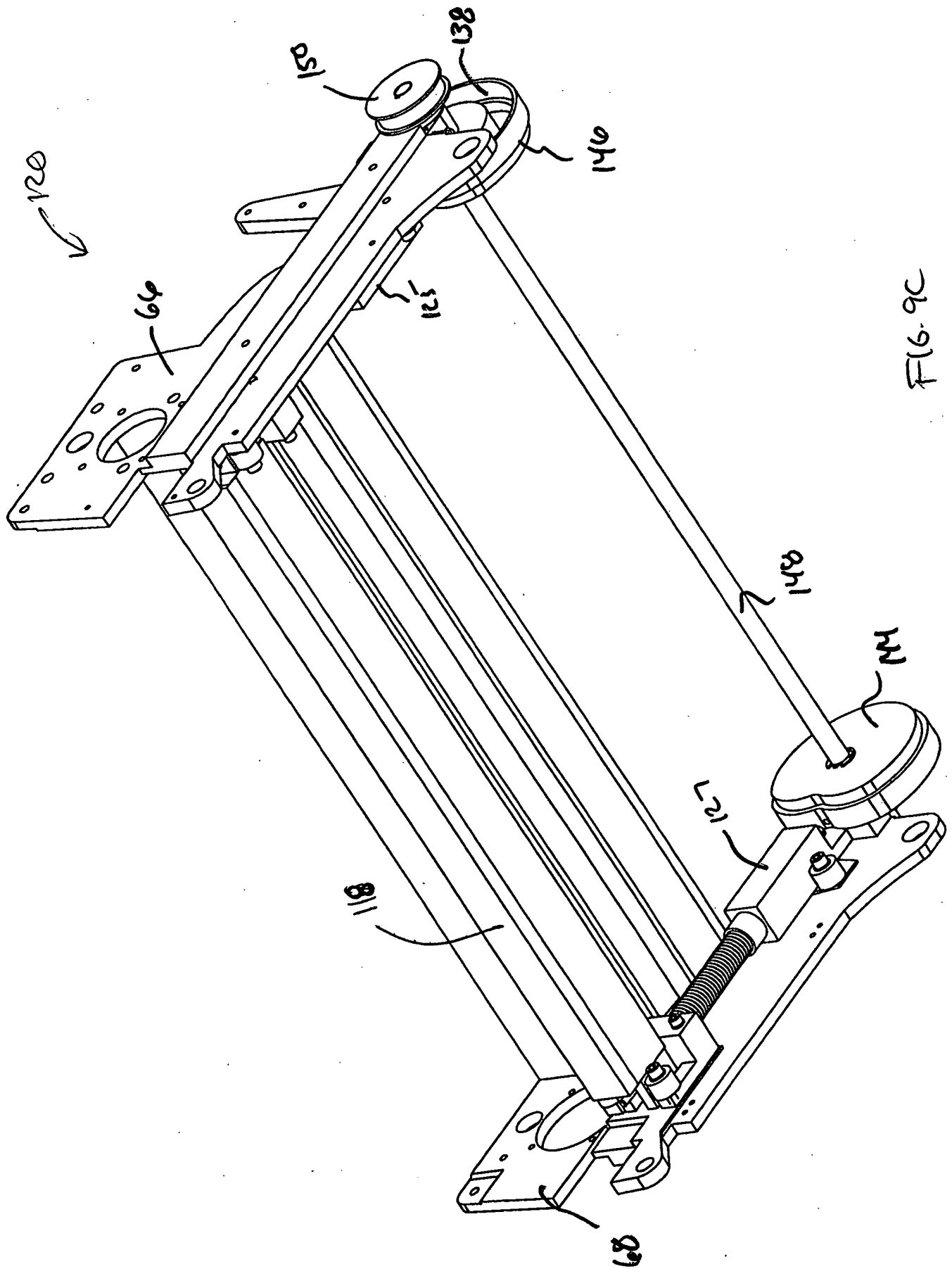


FIG. 9C

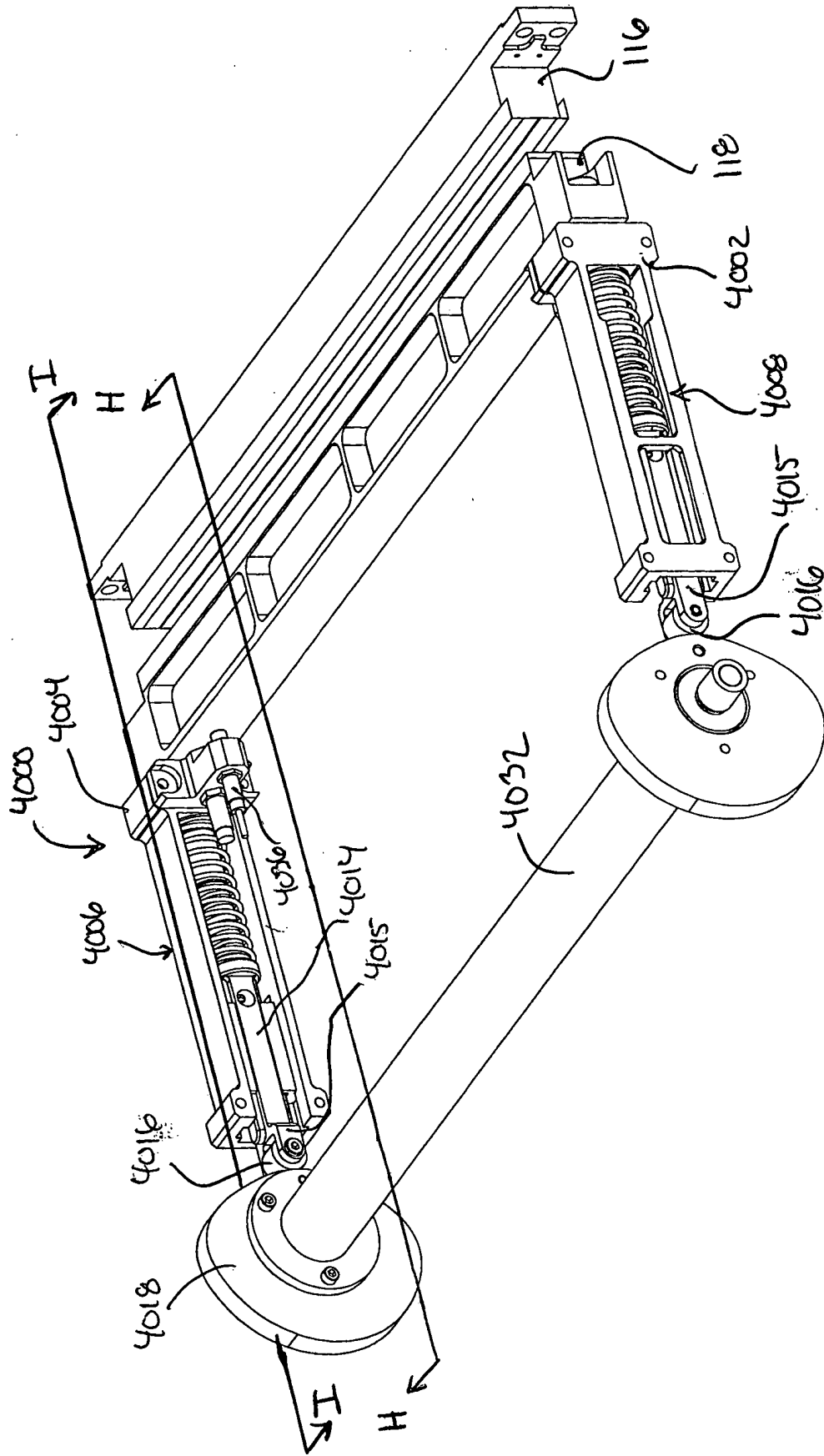


FIG. 9F

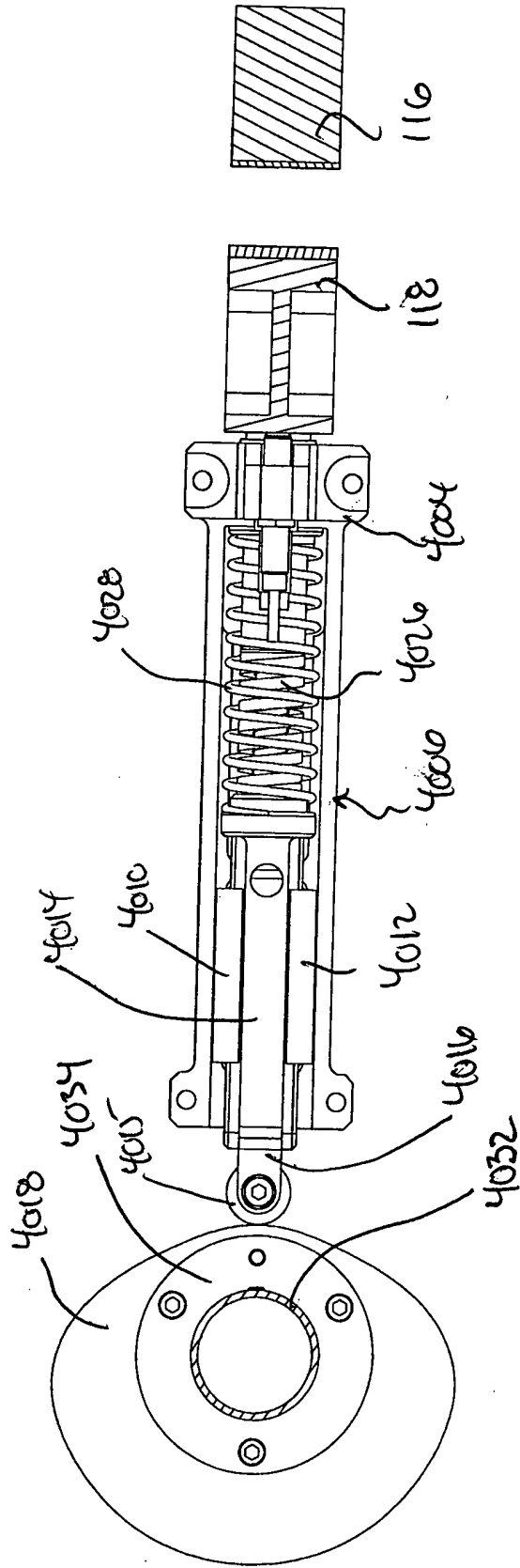


FIG. 9H

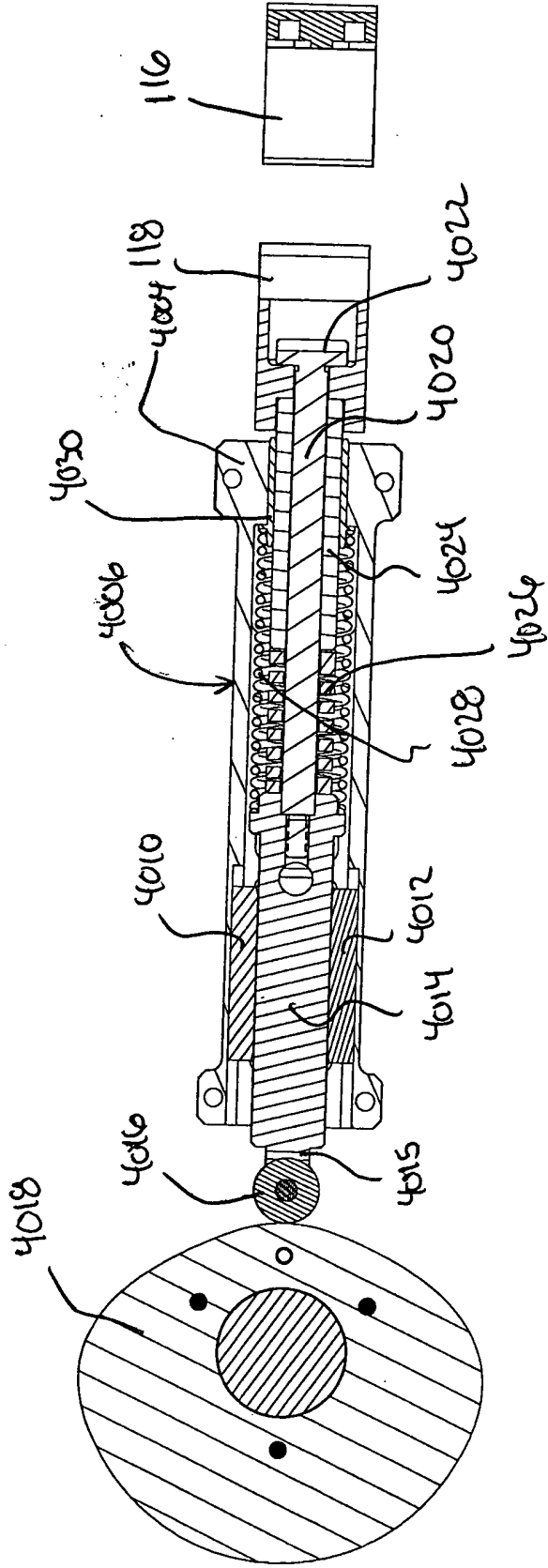


FIG. 9I

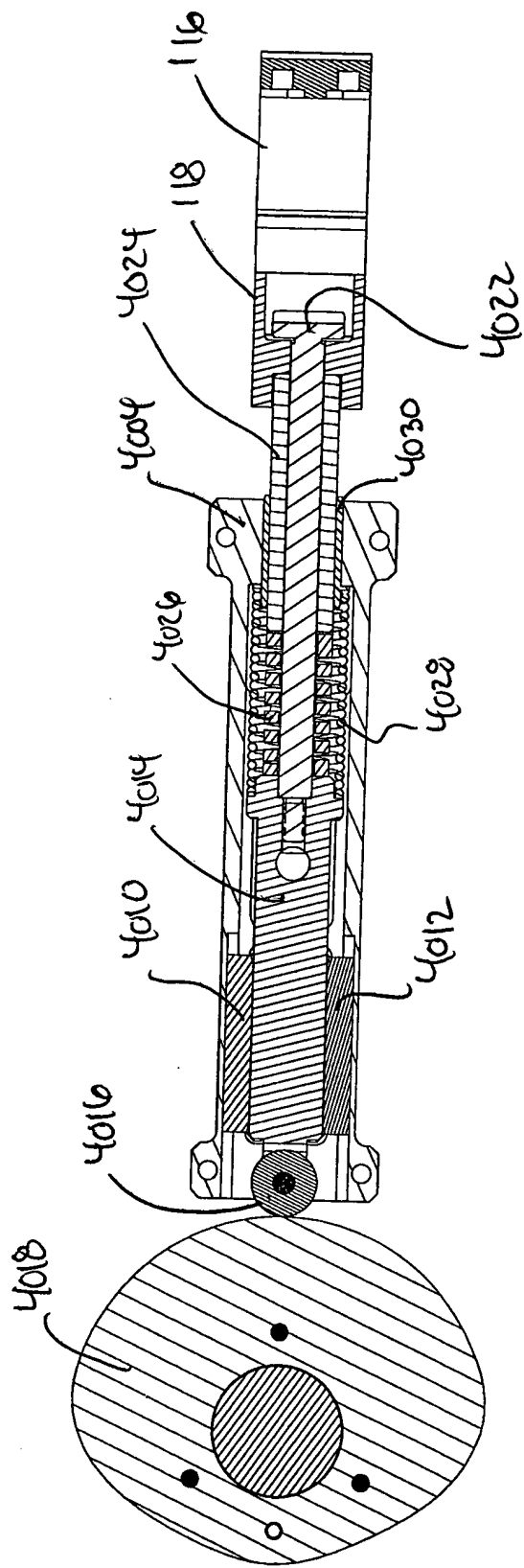


FIG. 95

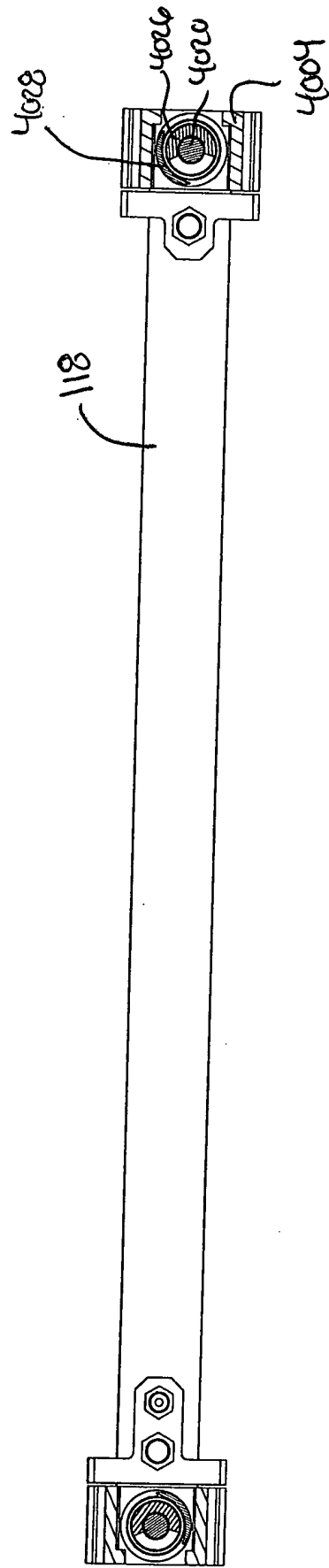


FIG. 9K

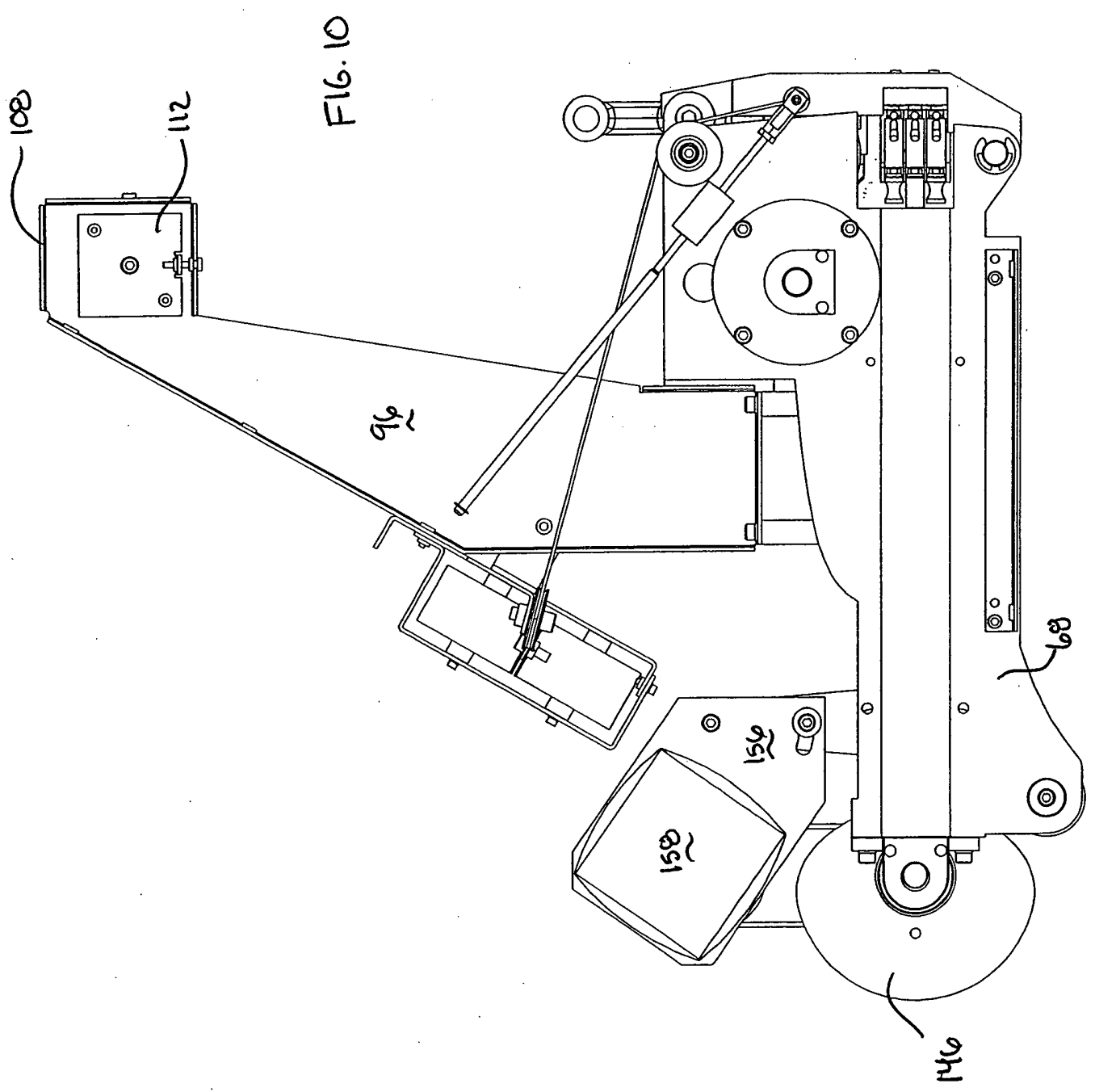
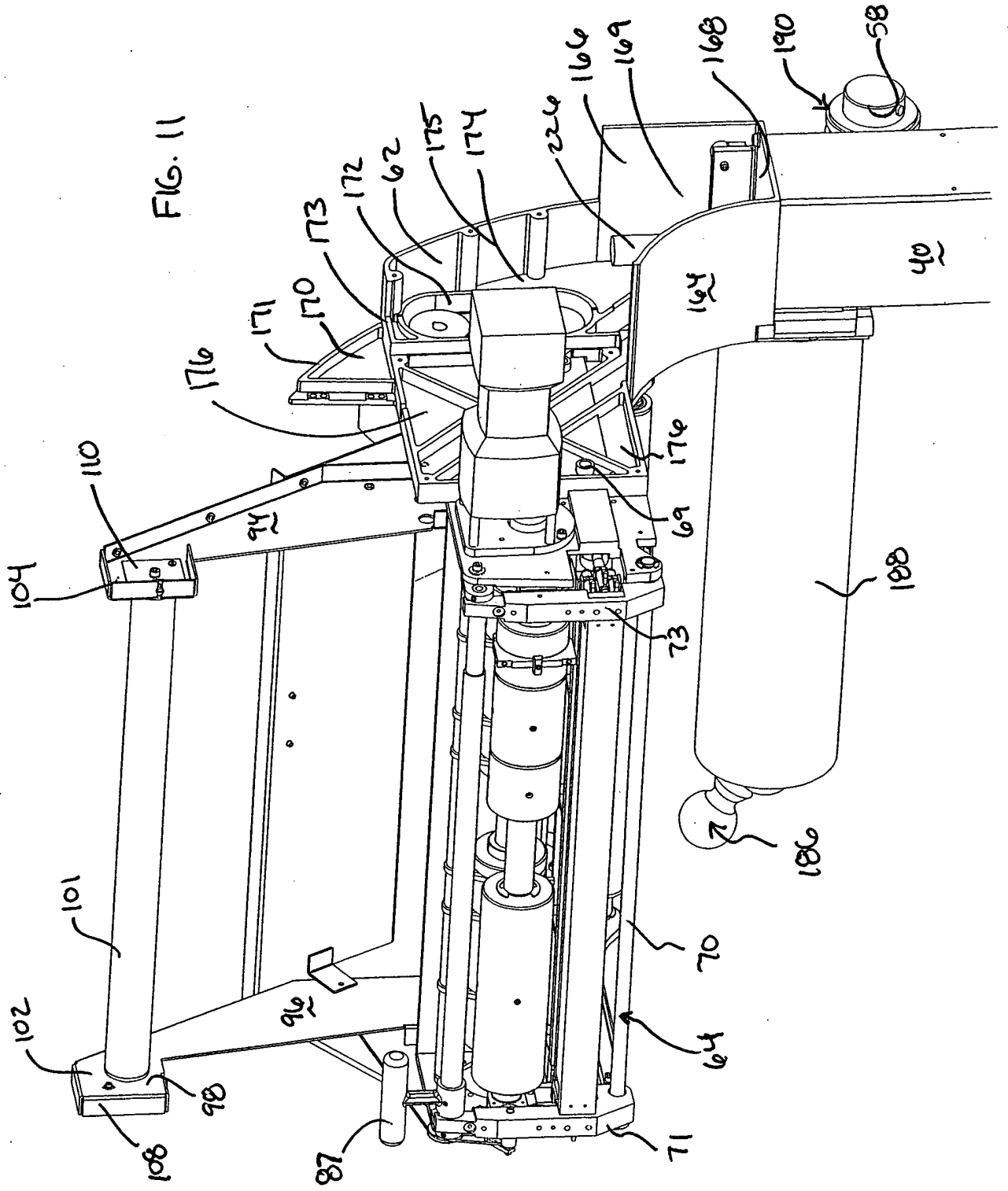


FIG. 10

FIG. 11



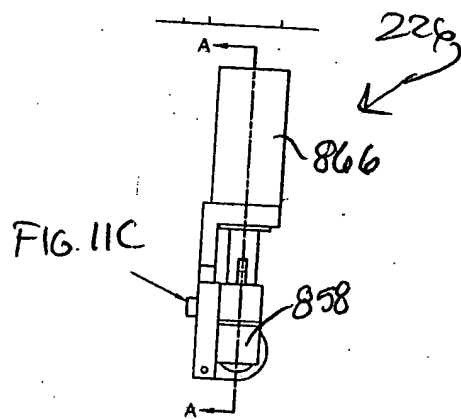
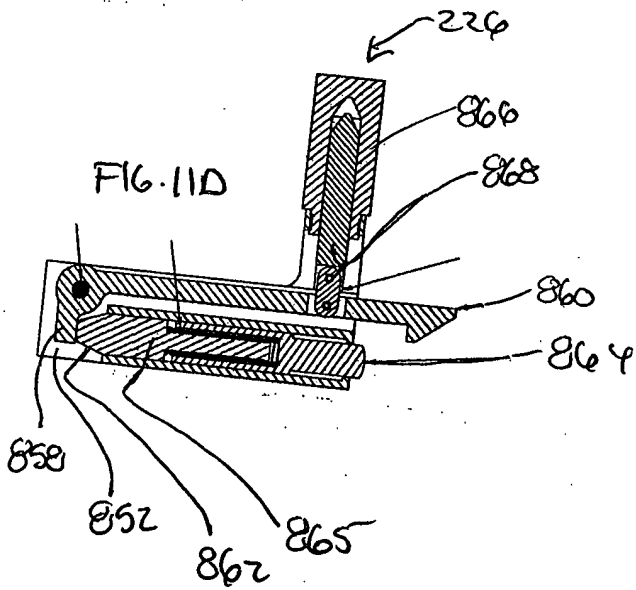
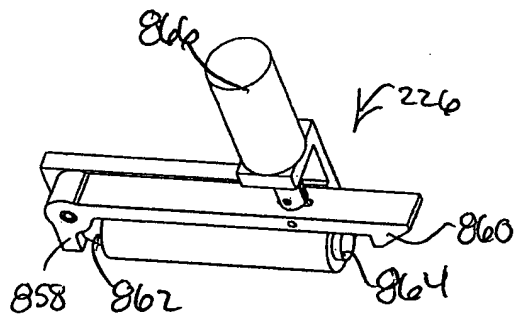
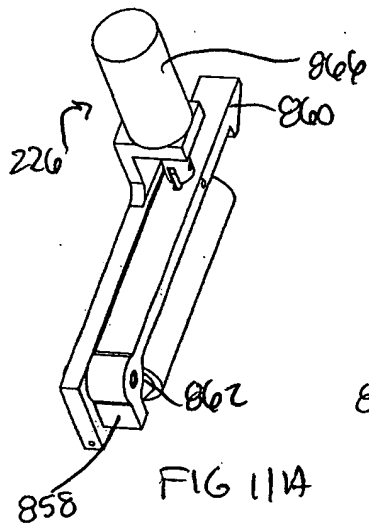


FIG. 12

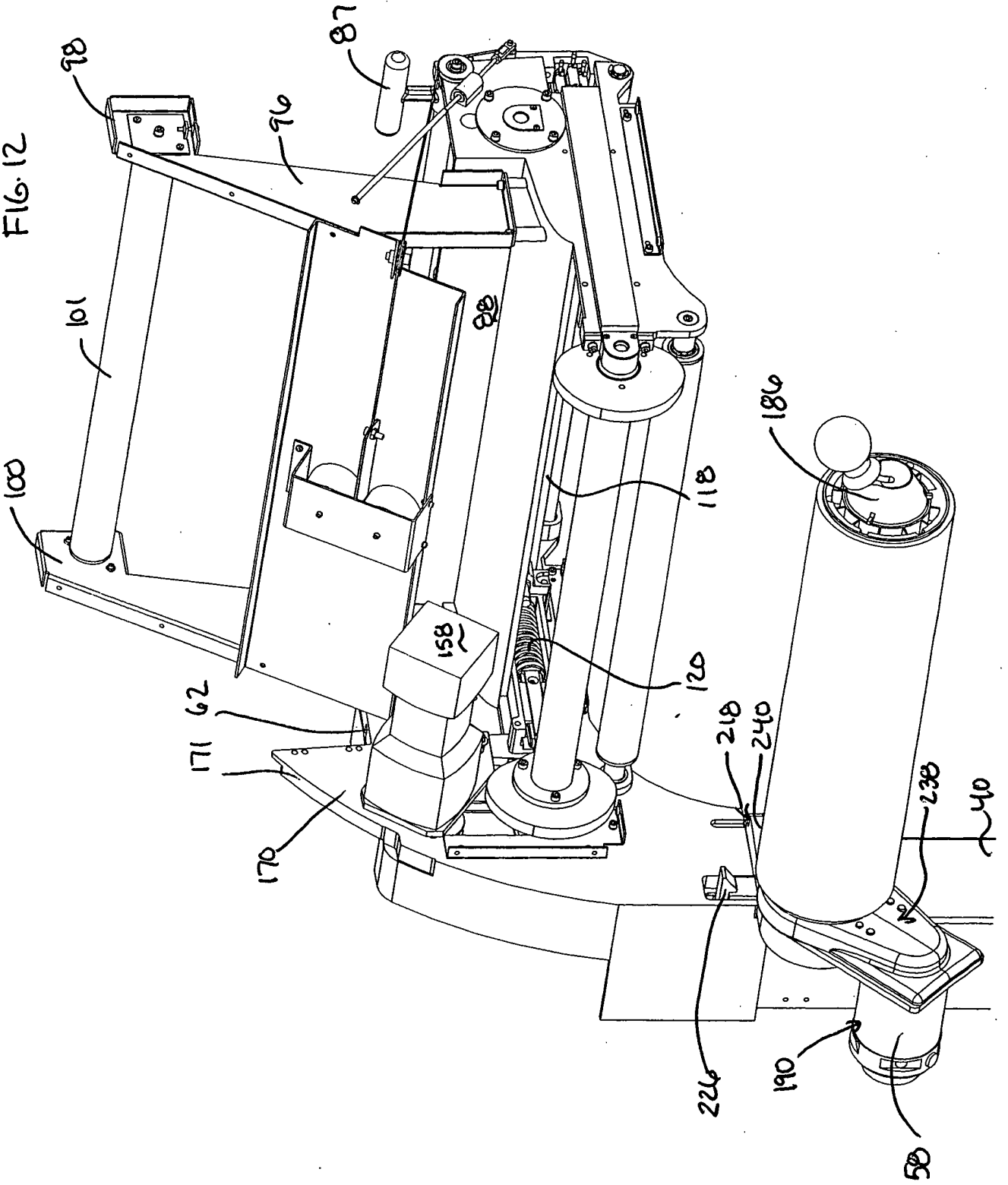


FIG. 13

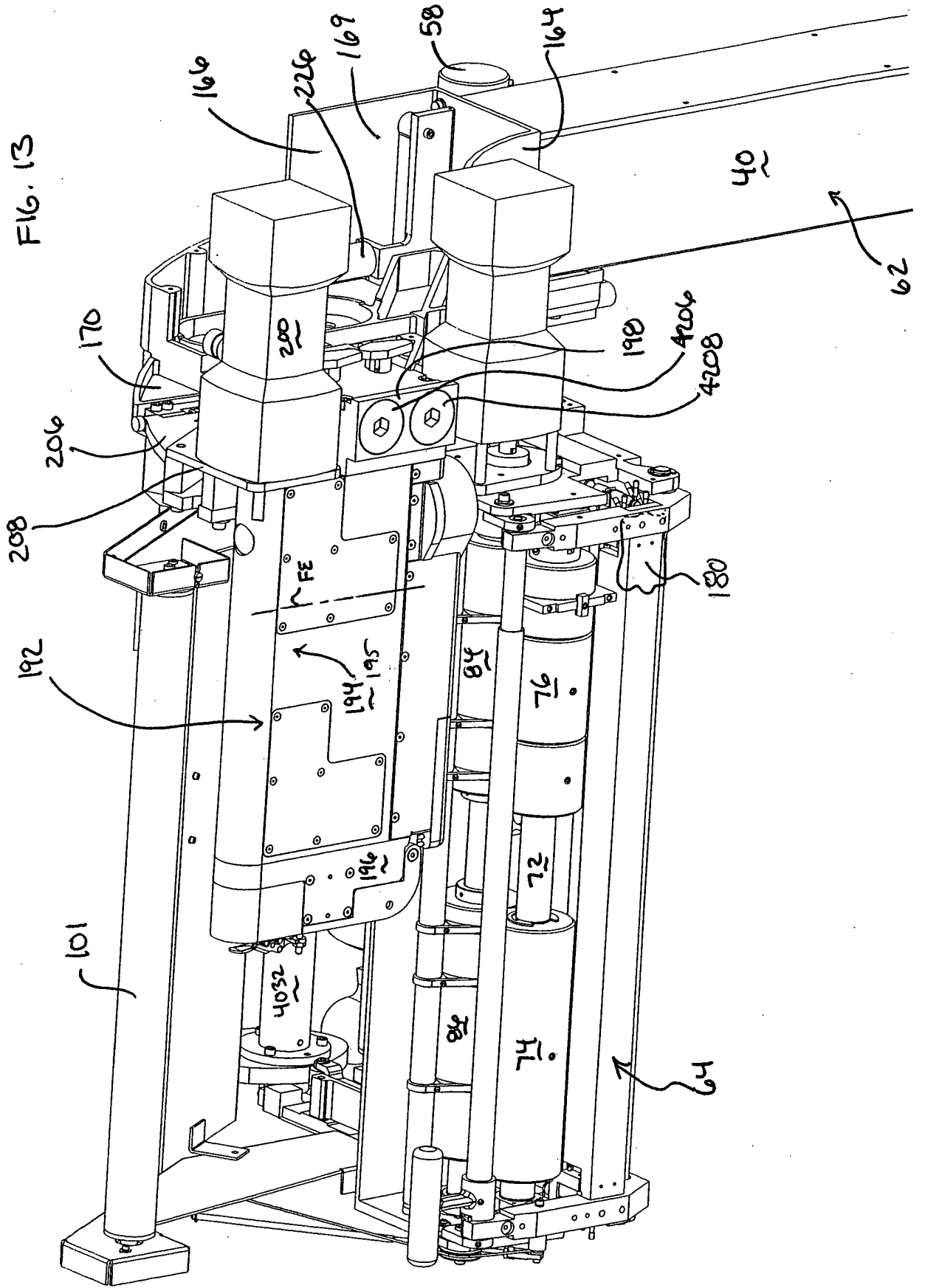


FIG. 146

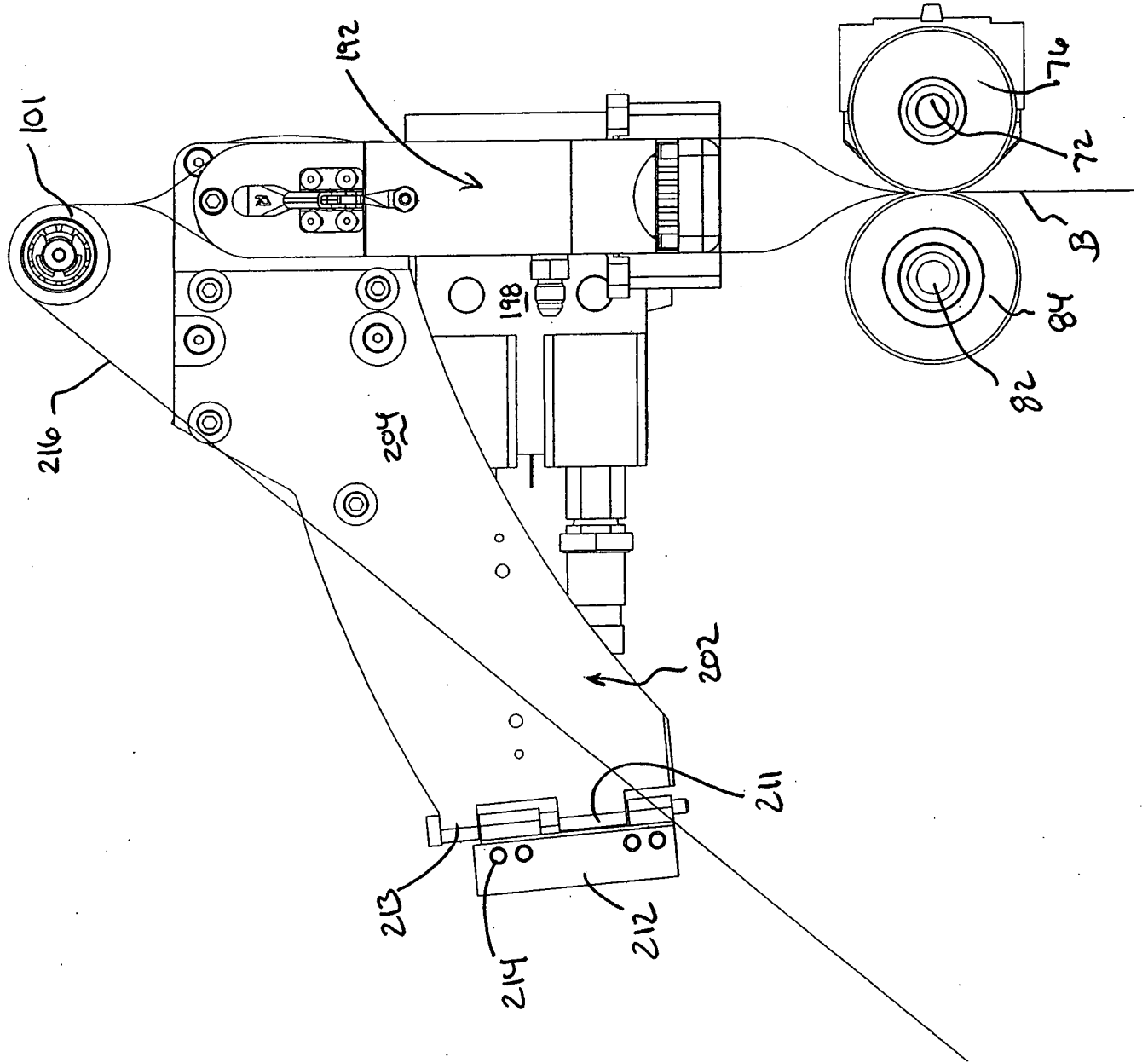


FIG 15A

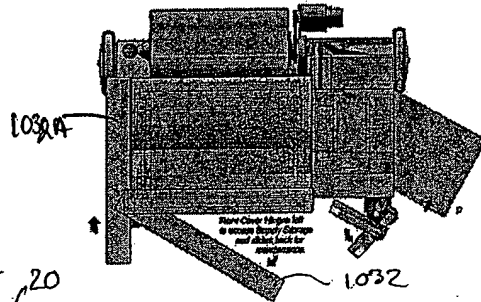


FIG. 15

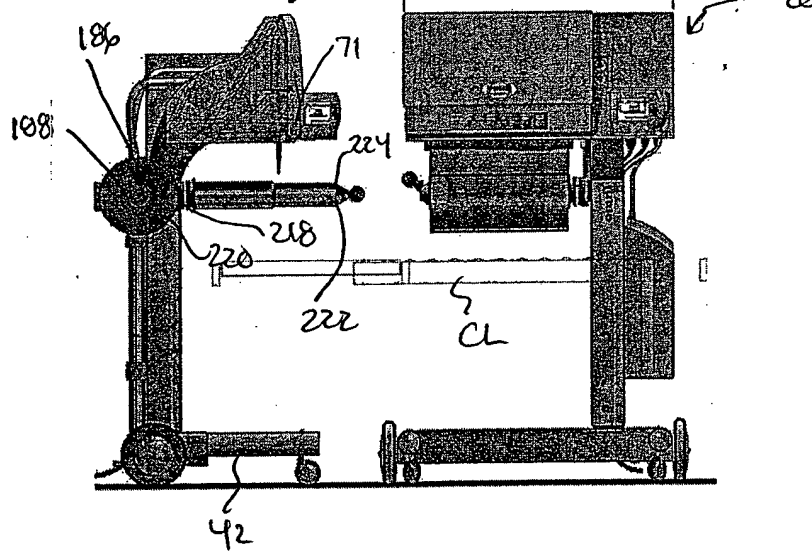
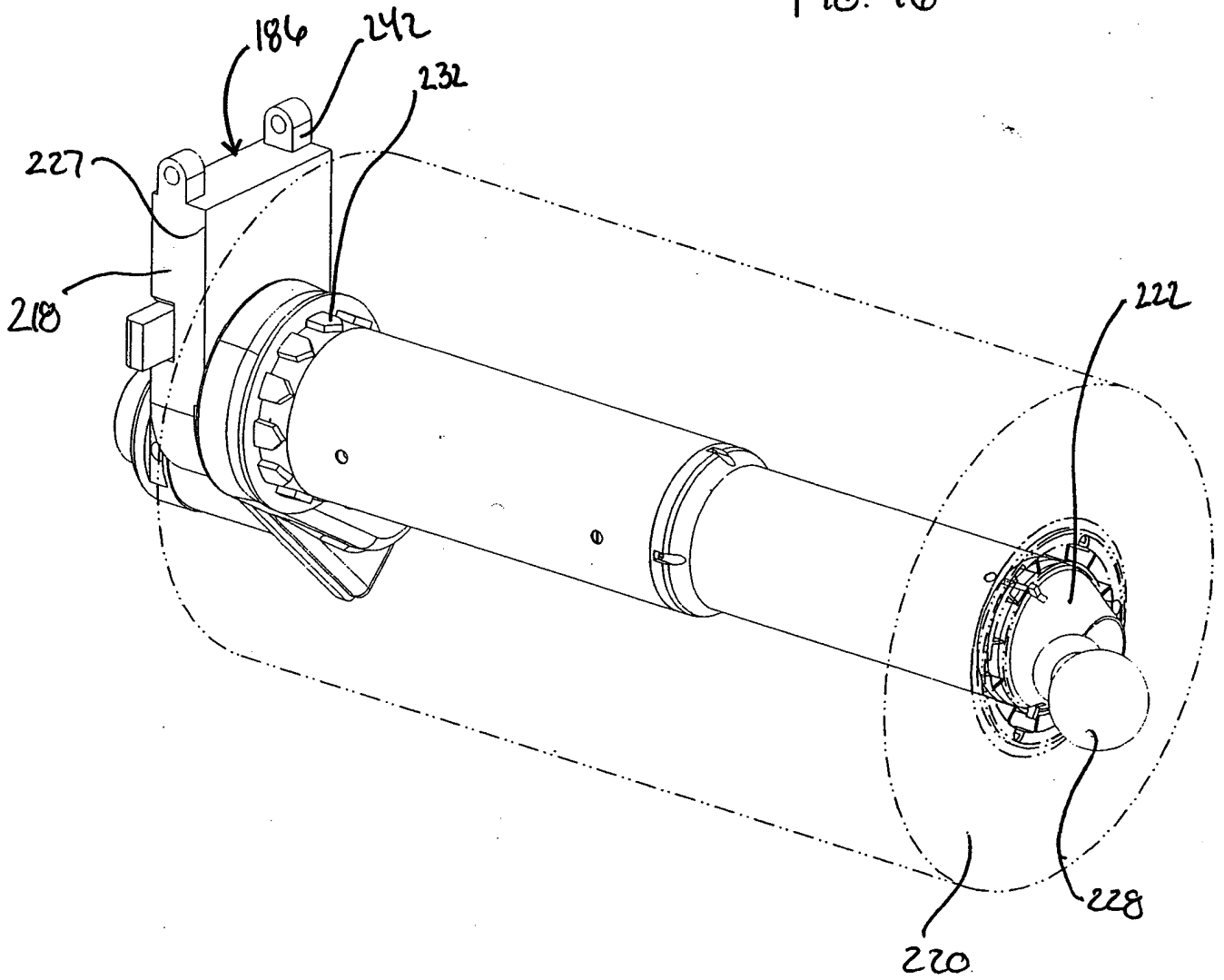
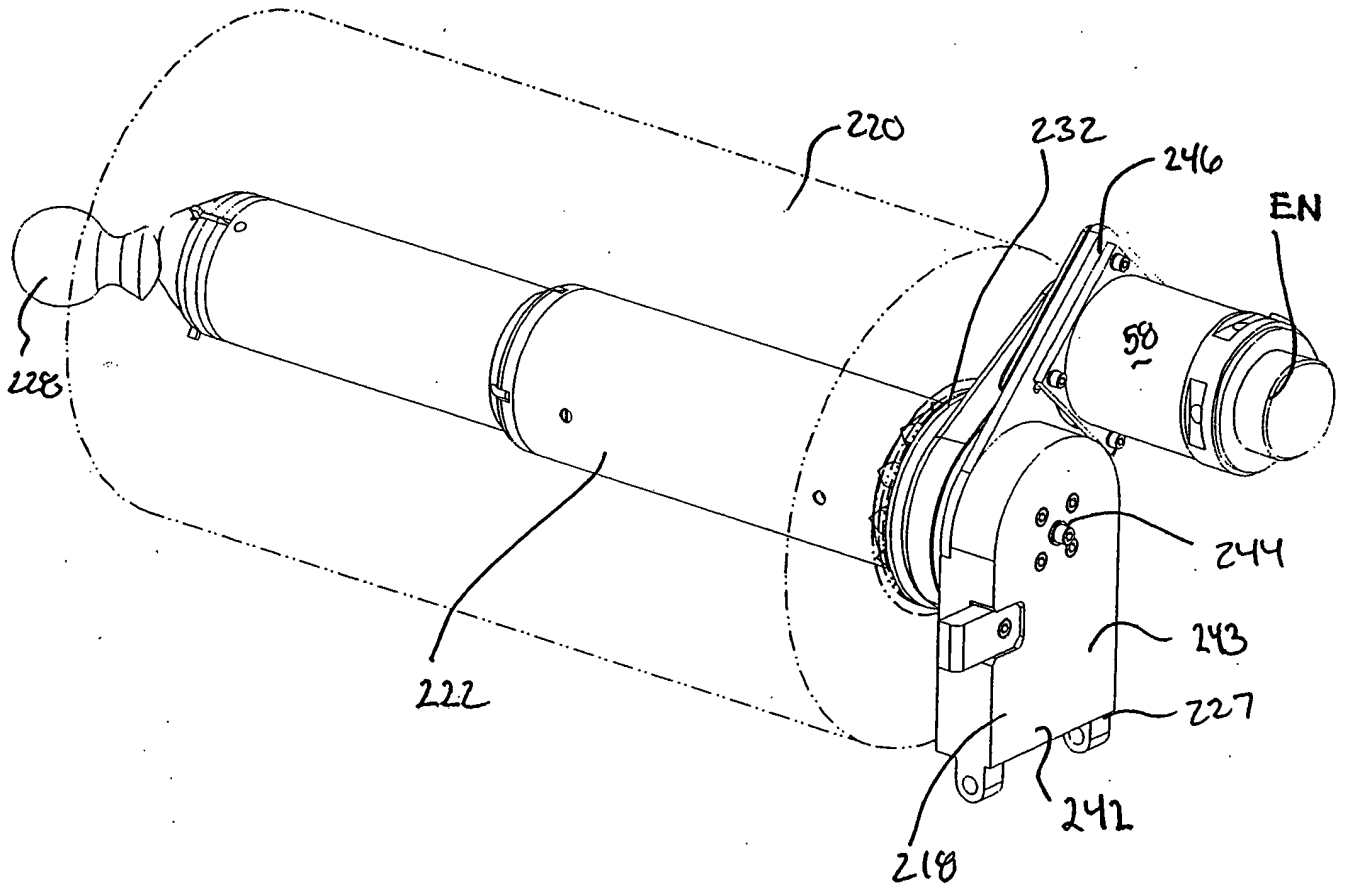


FIG-15B

FIG. 16



F16.17



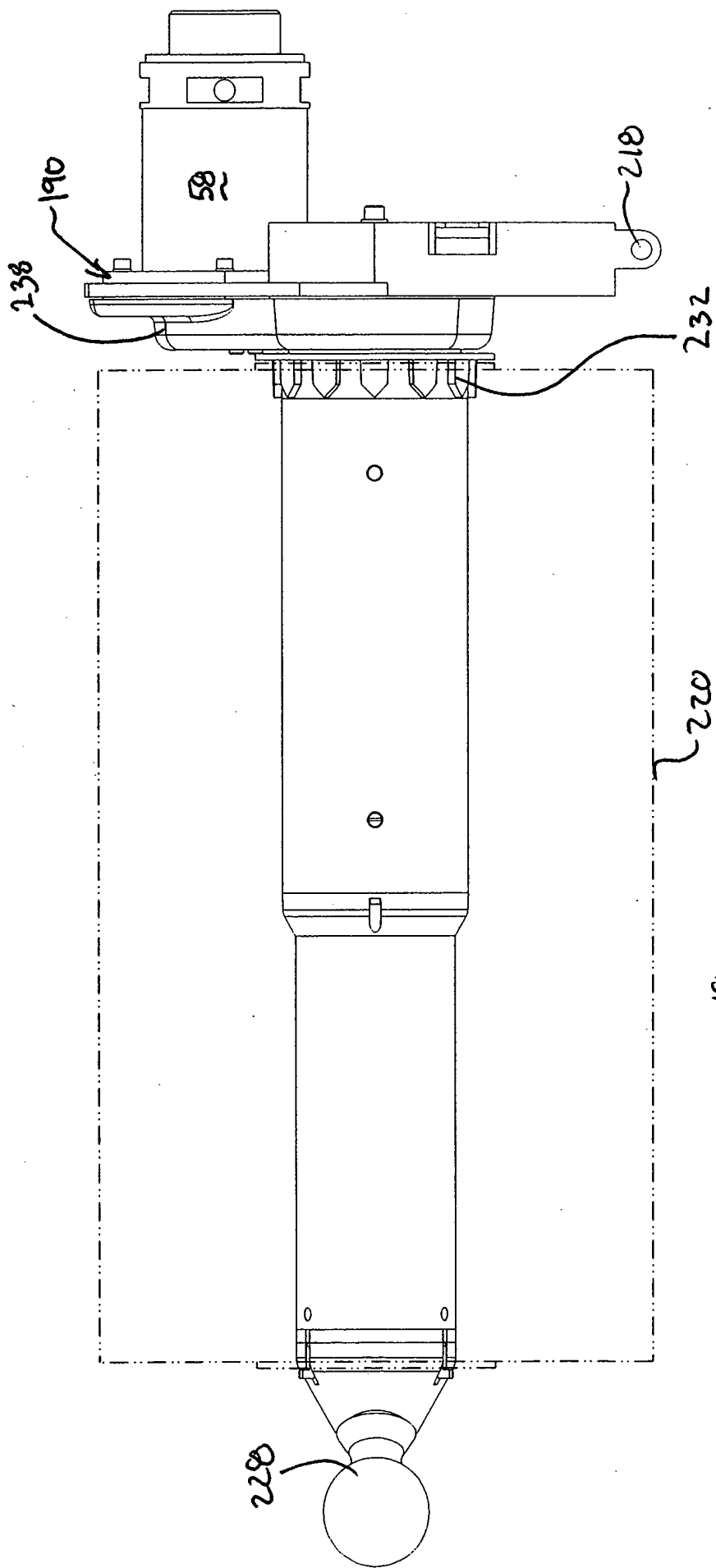


FIG. 18

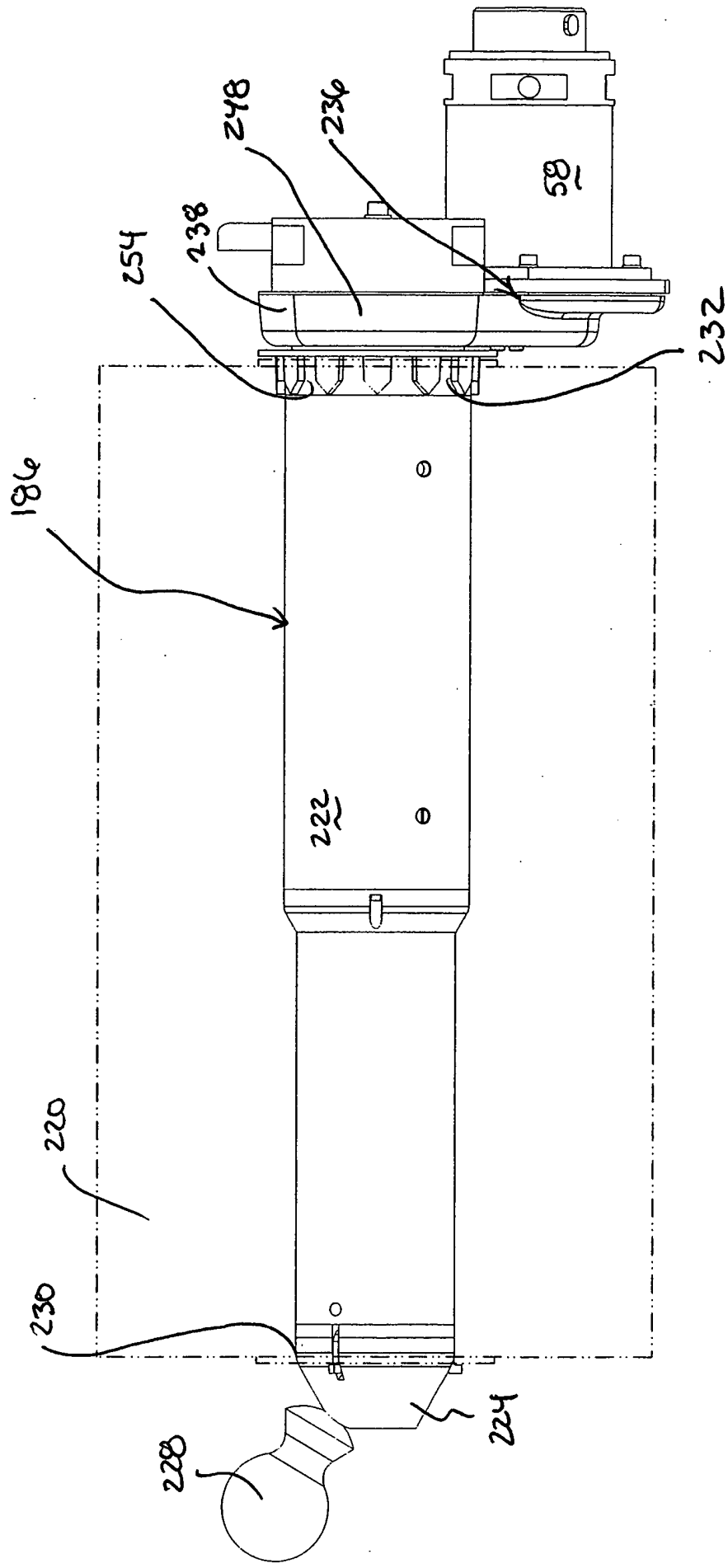
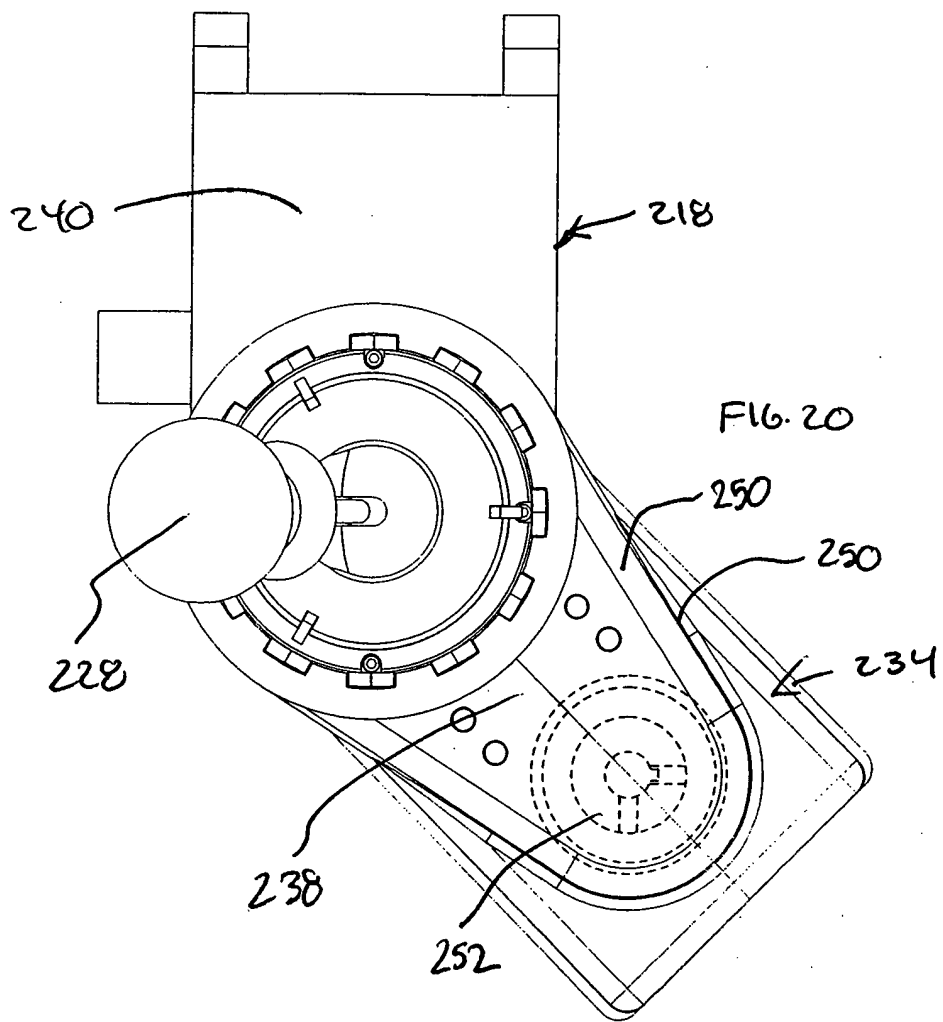
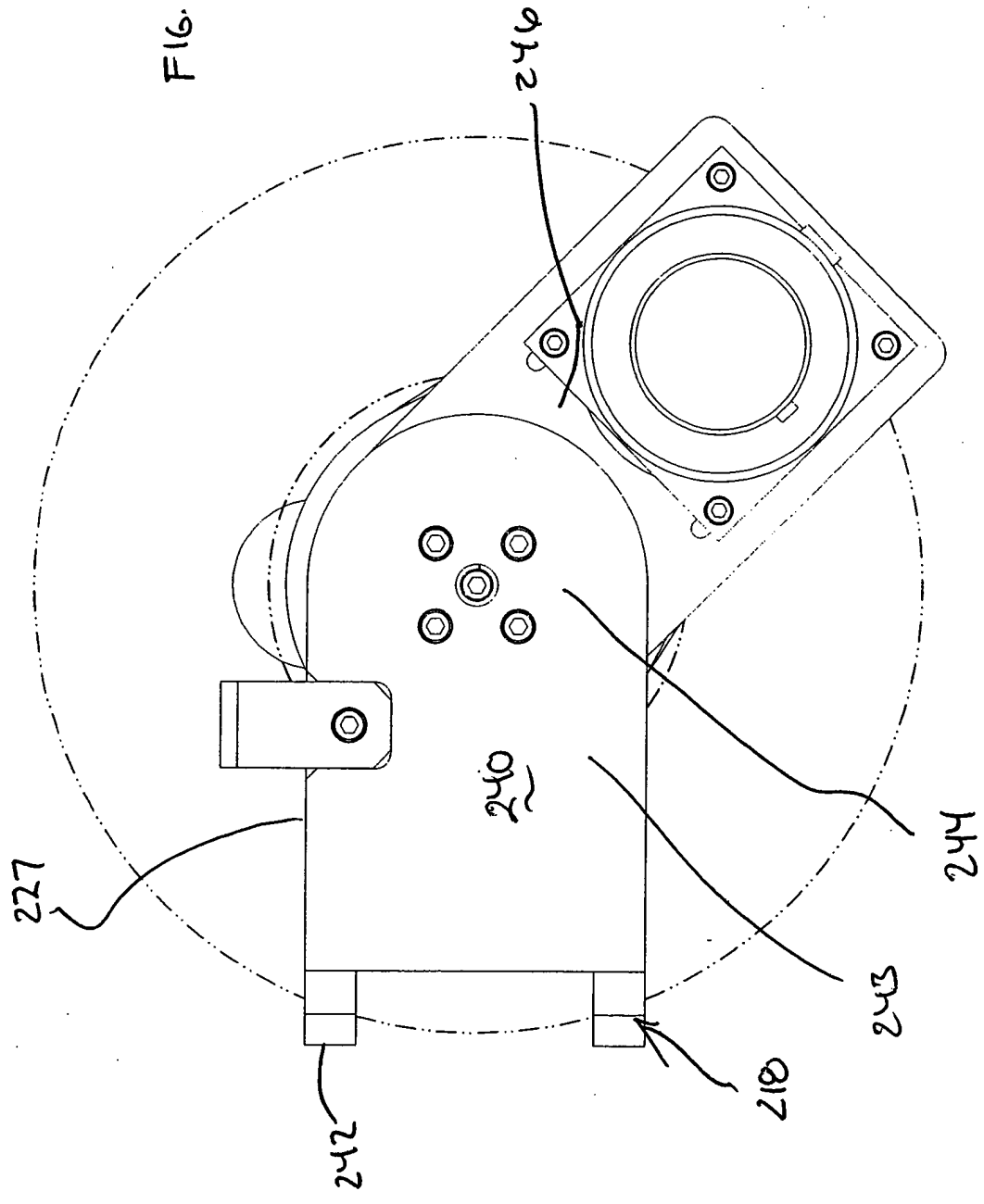


FIG. 19



BEST AVAILABLE COPY

FIG. 21



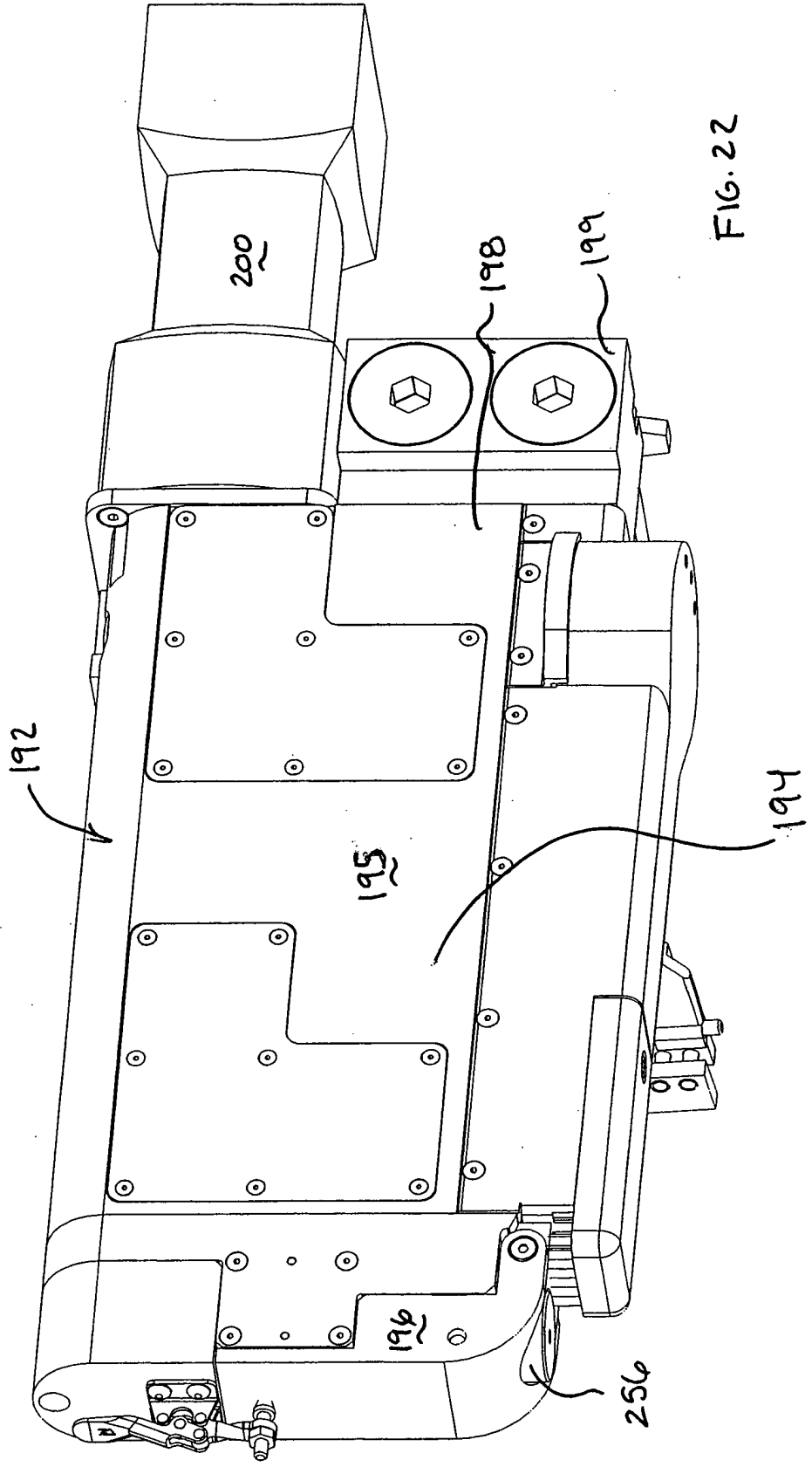
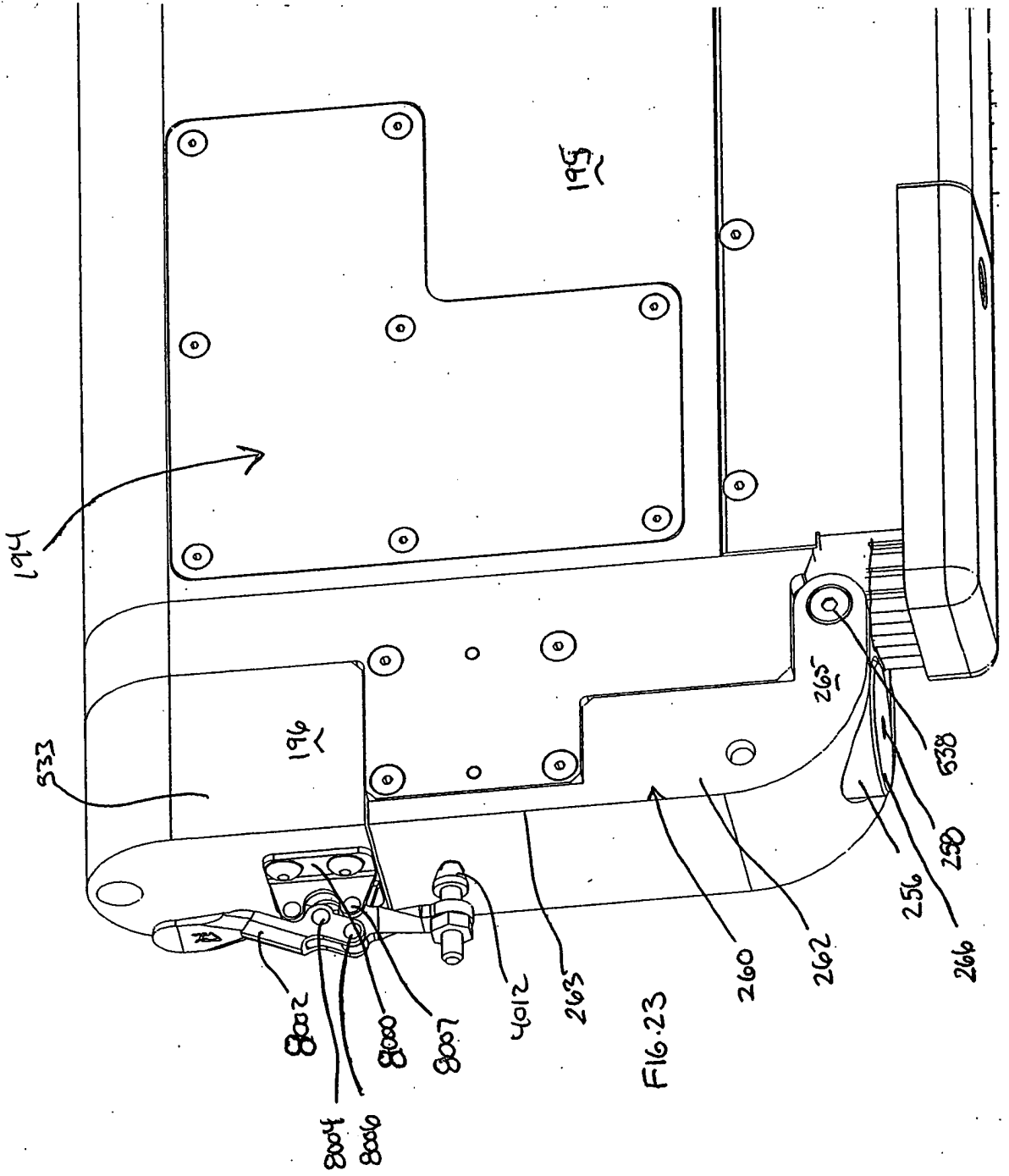


FIG. 22



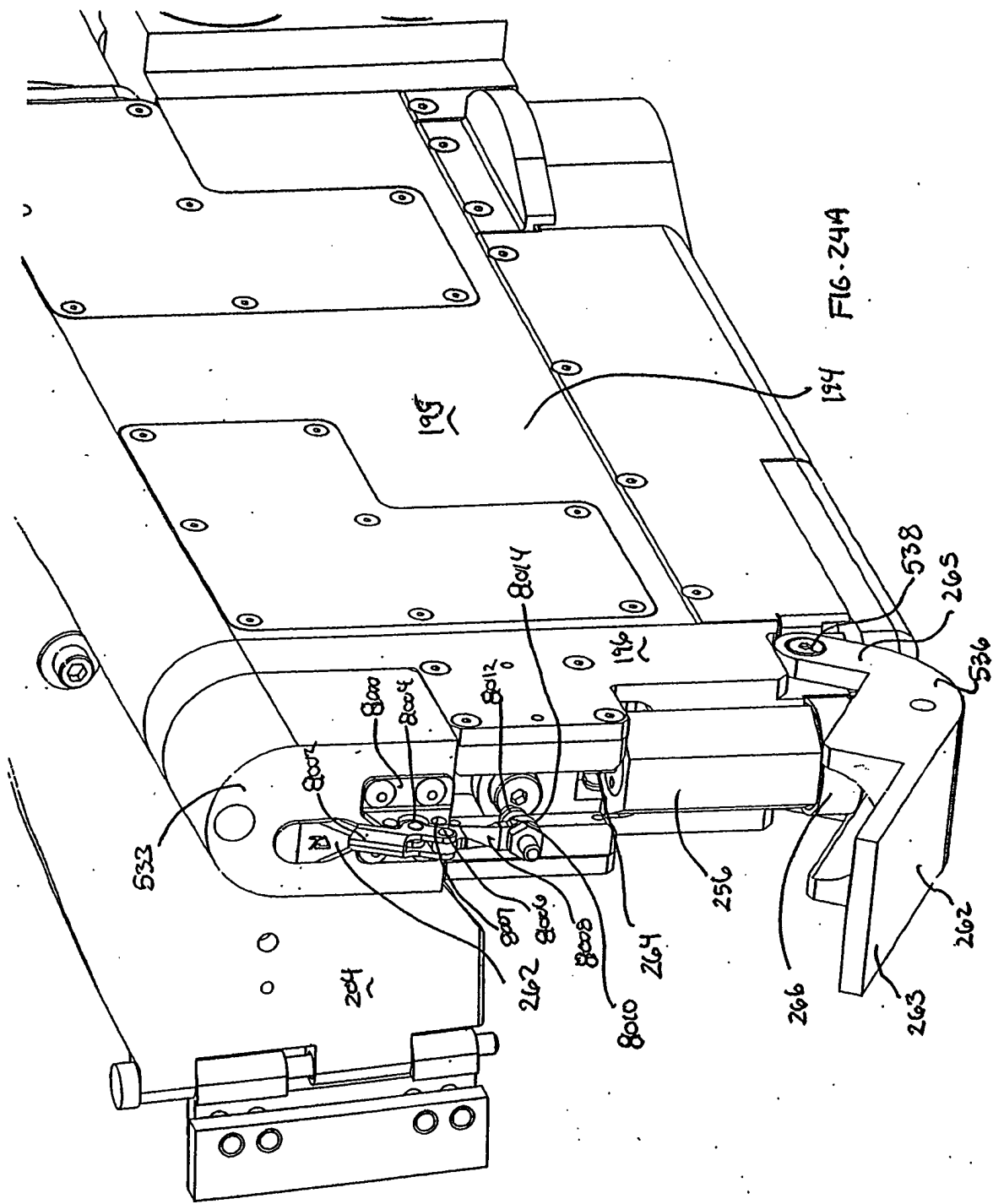


FIG. 24A

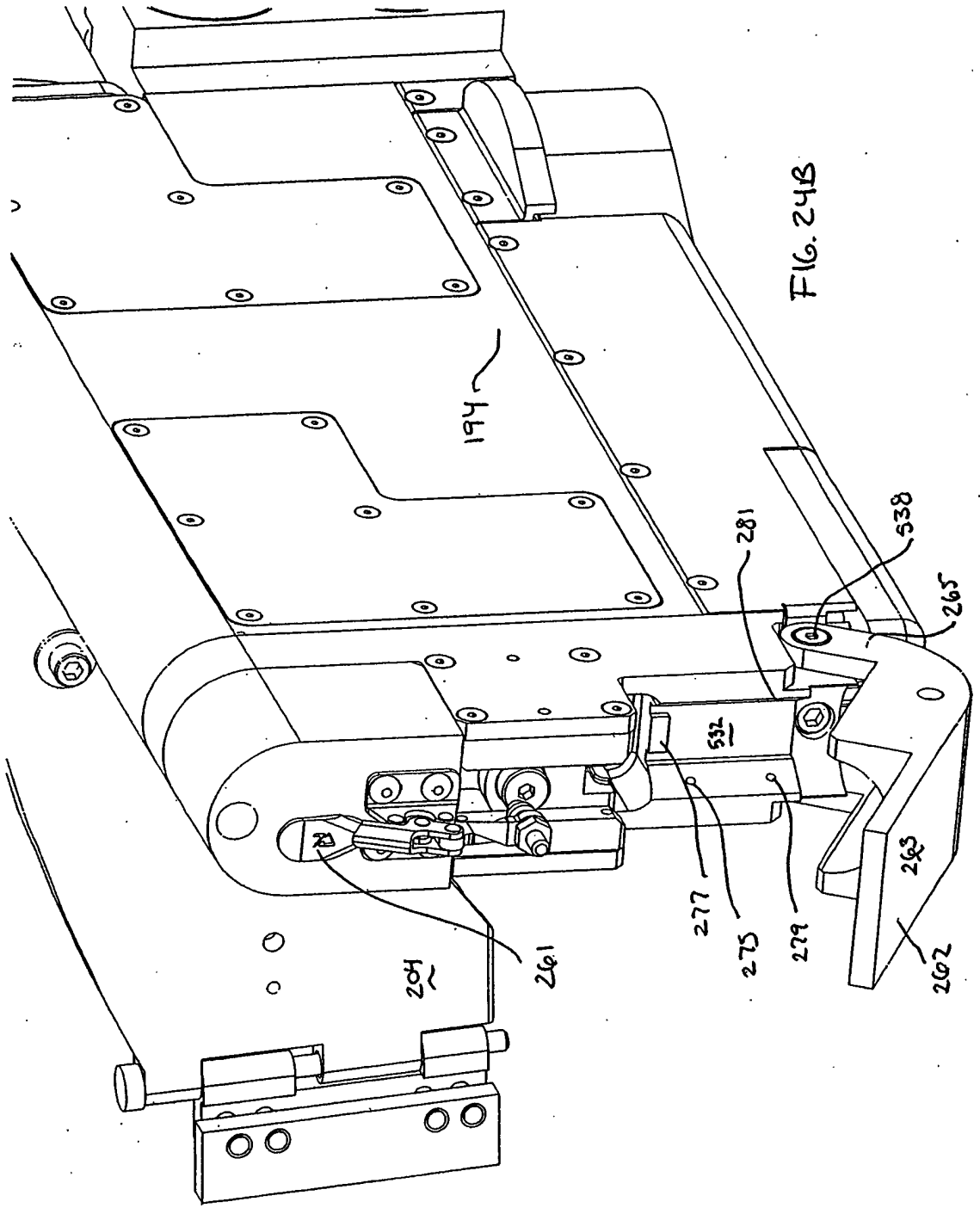


FIG. 24B

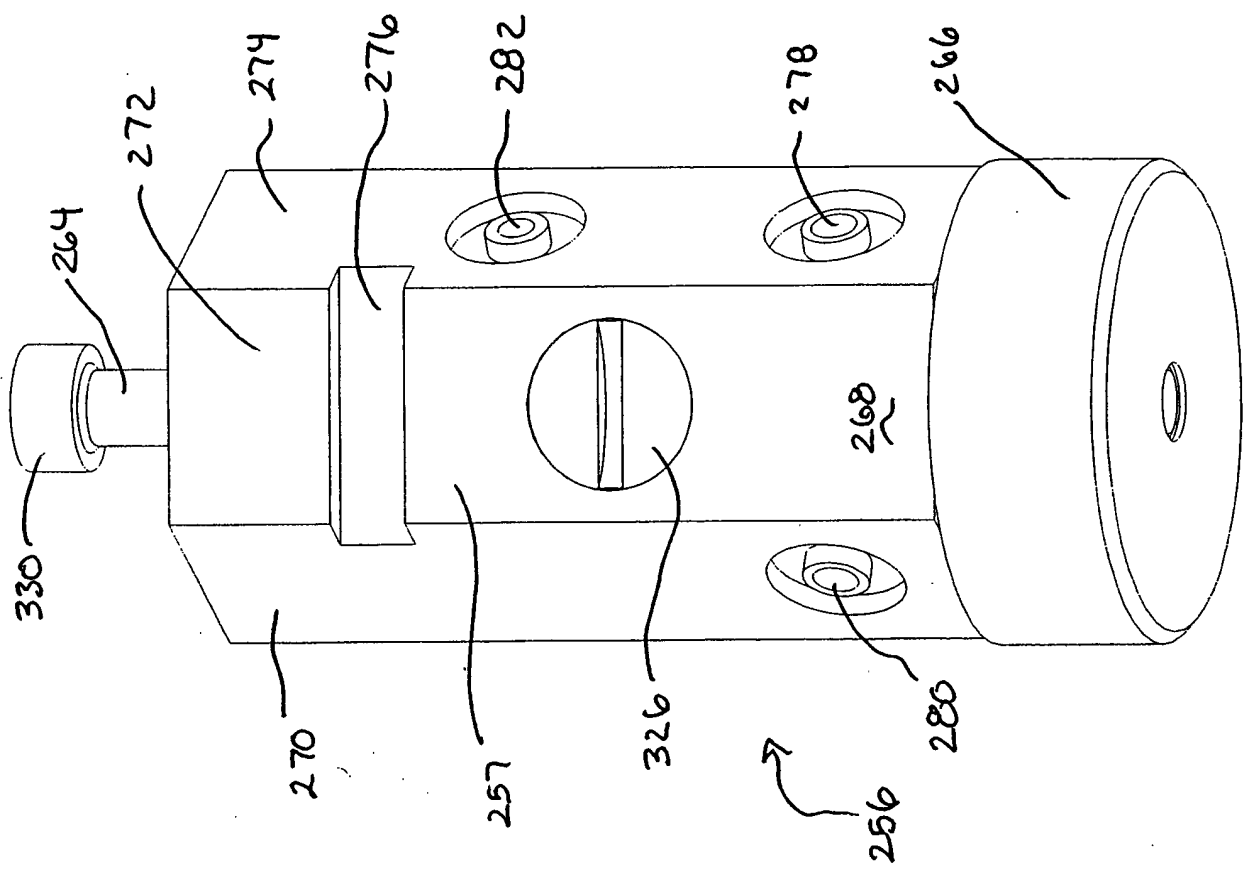


FIG. 25

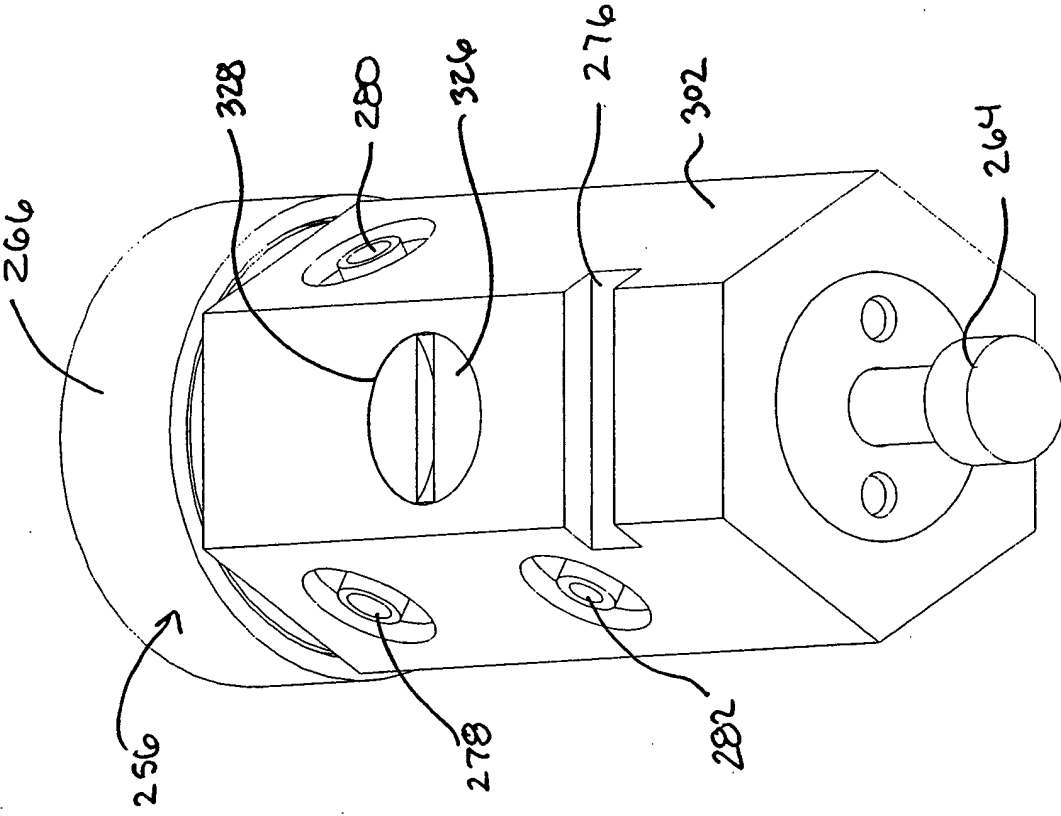
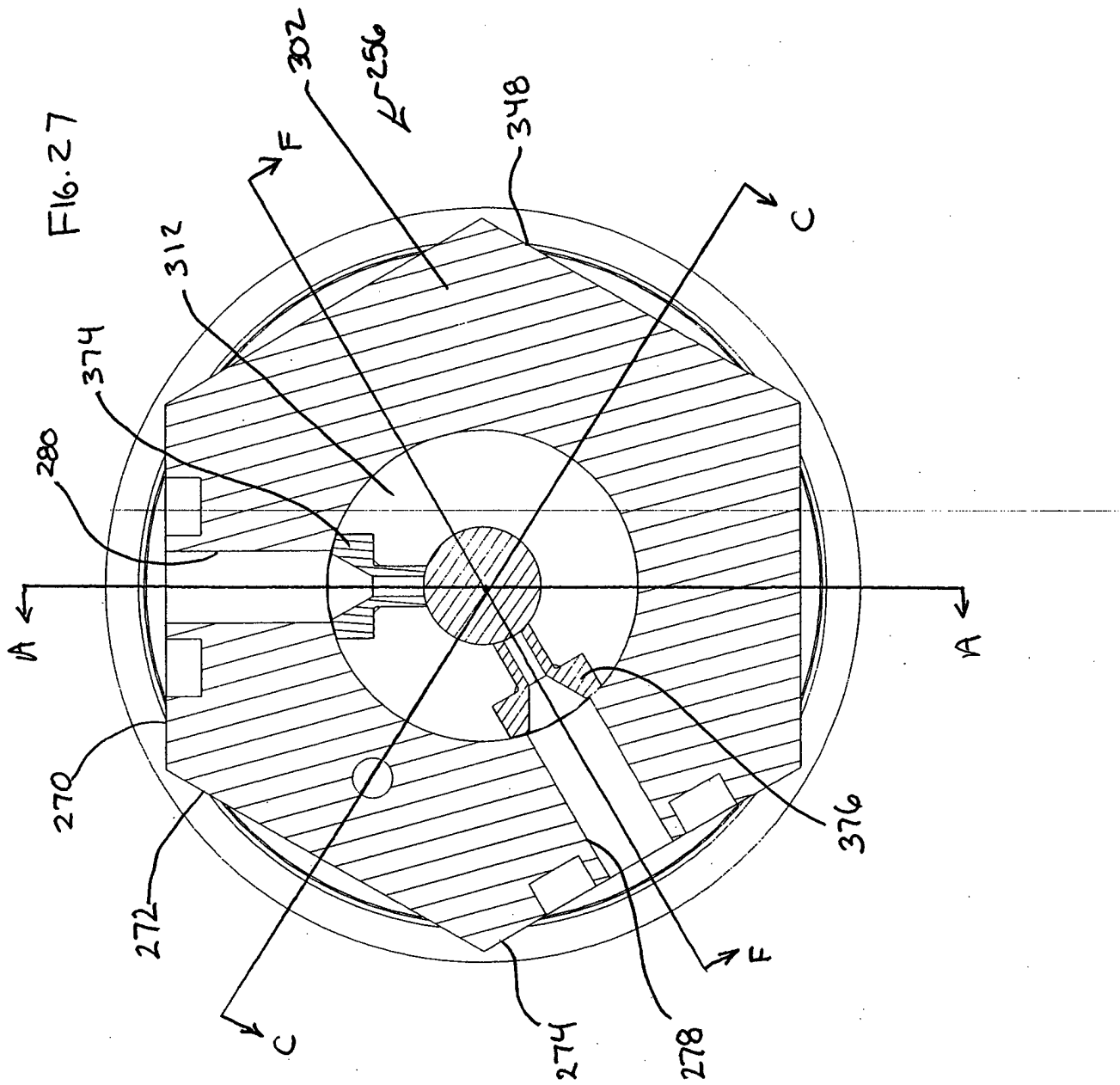


FIG. 26



SEE DETAIL 28A

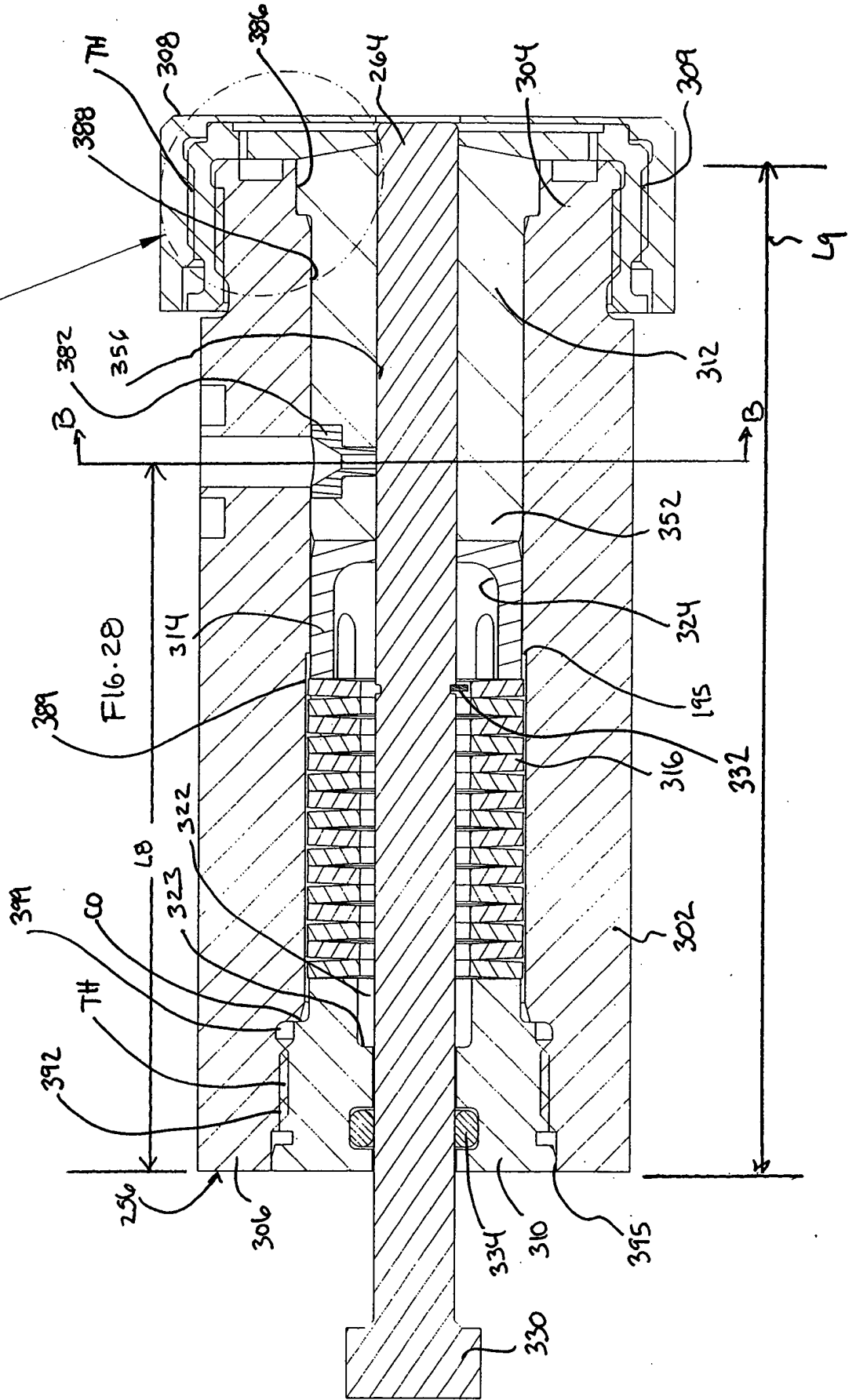
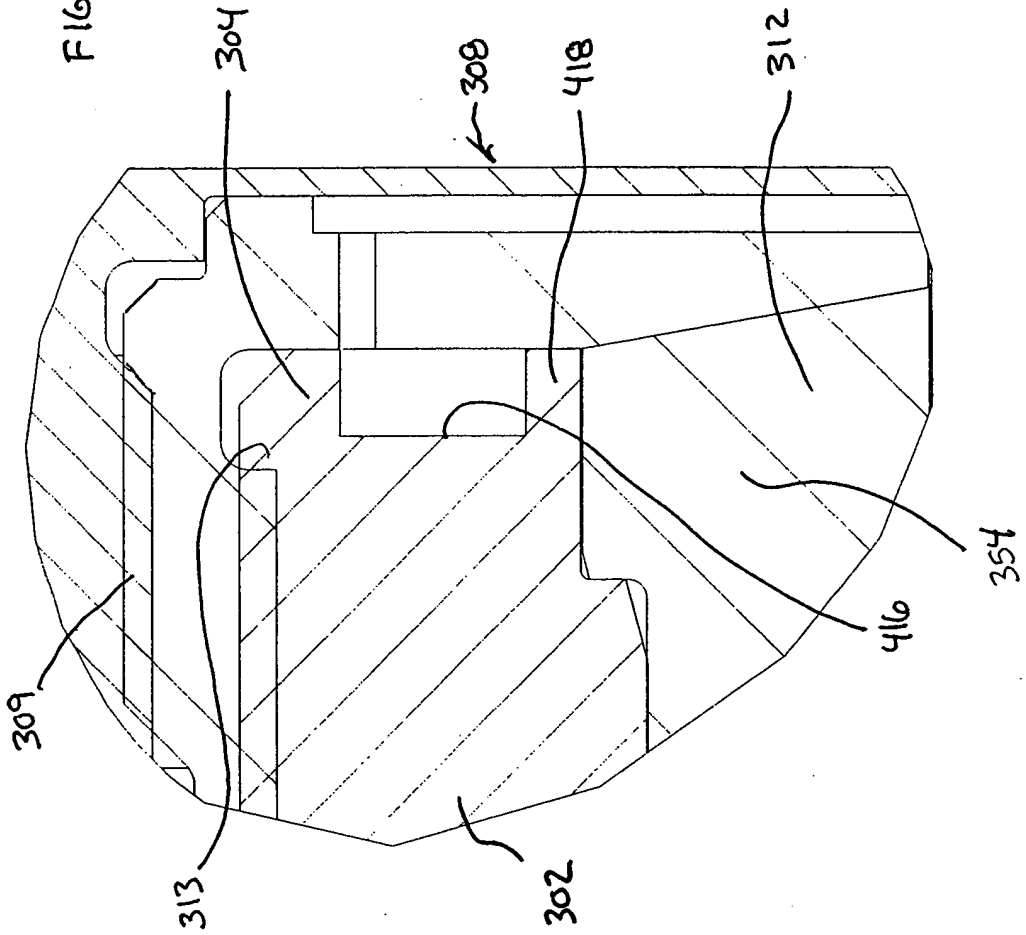


FIG. 28A



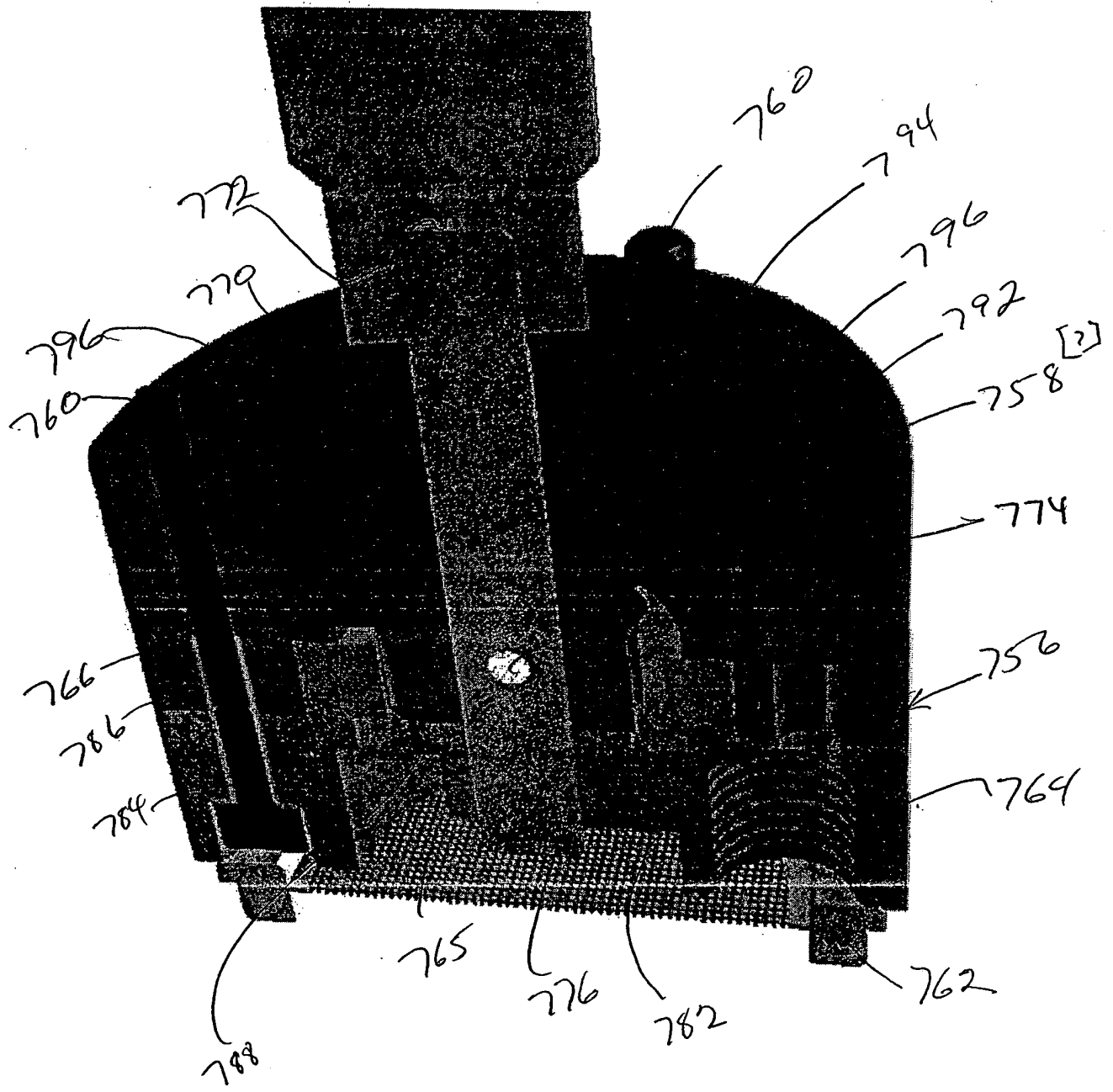
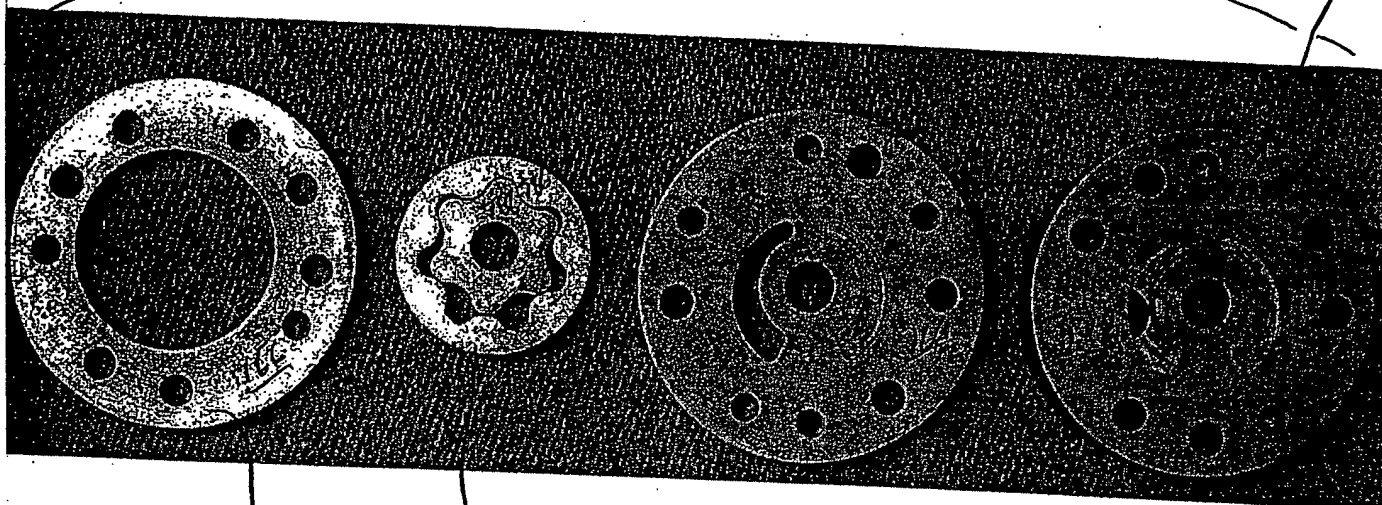


FIG. 95

FIG. 96

794



766

768

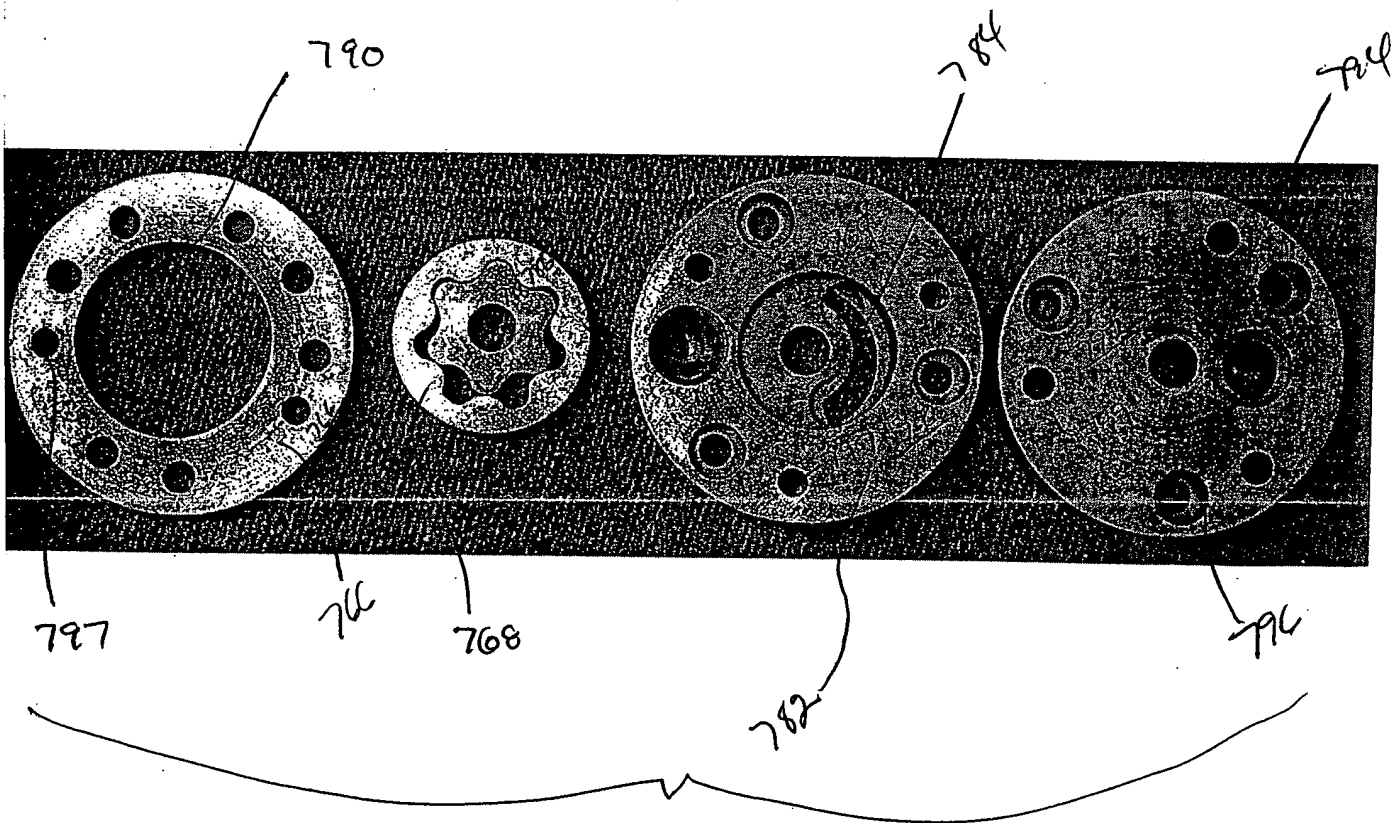


FIG. 97

SEE DETAIL 29A

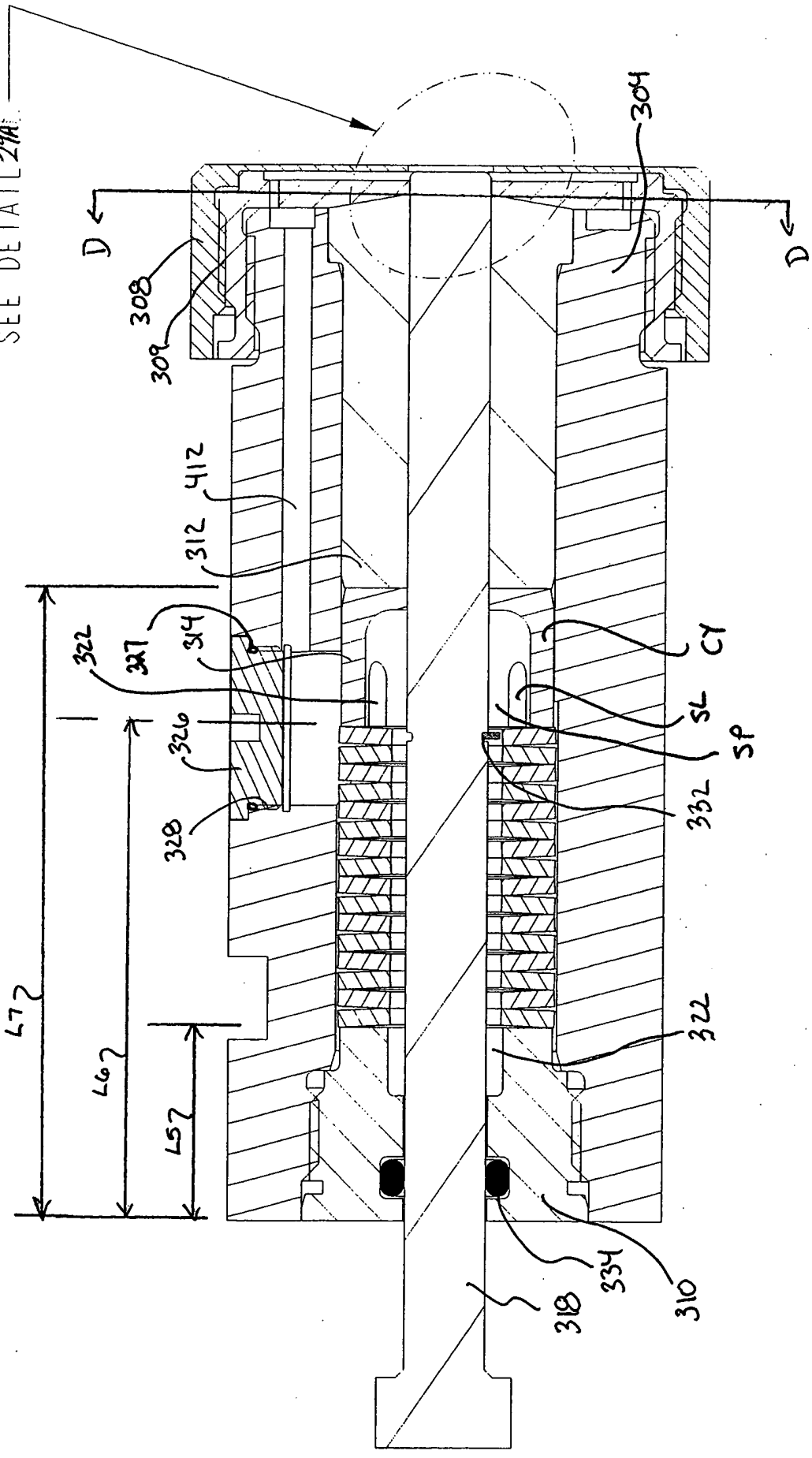


FIG. 29

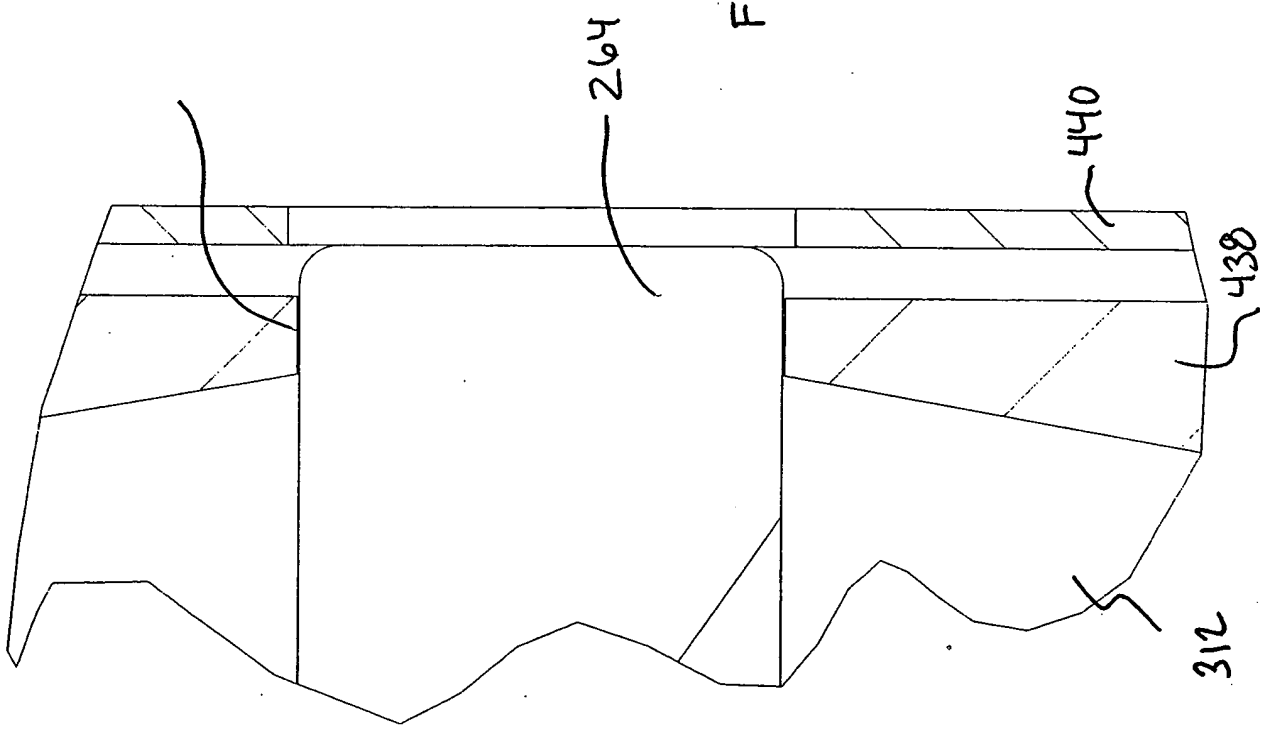
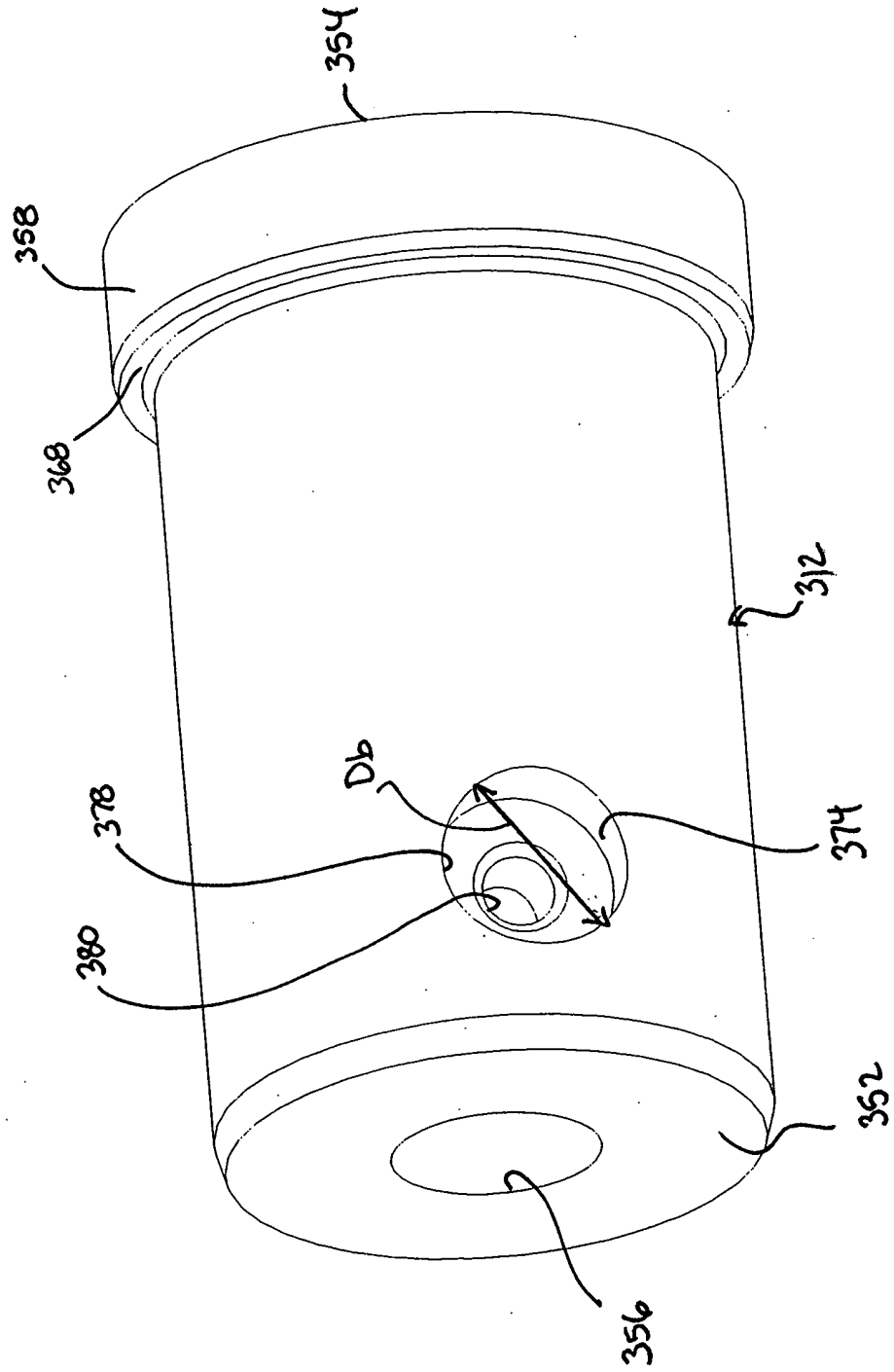


FIG. 29A

FIG. 29B



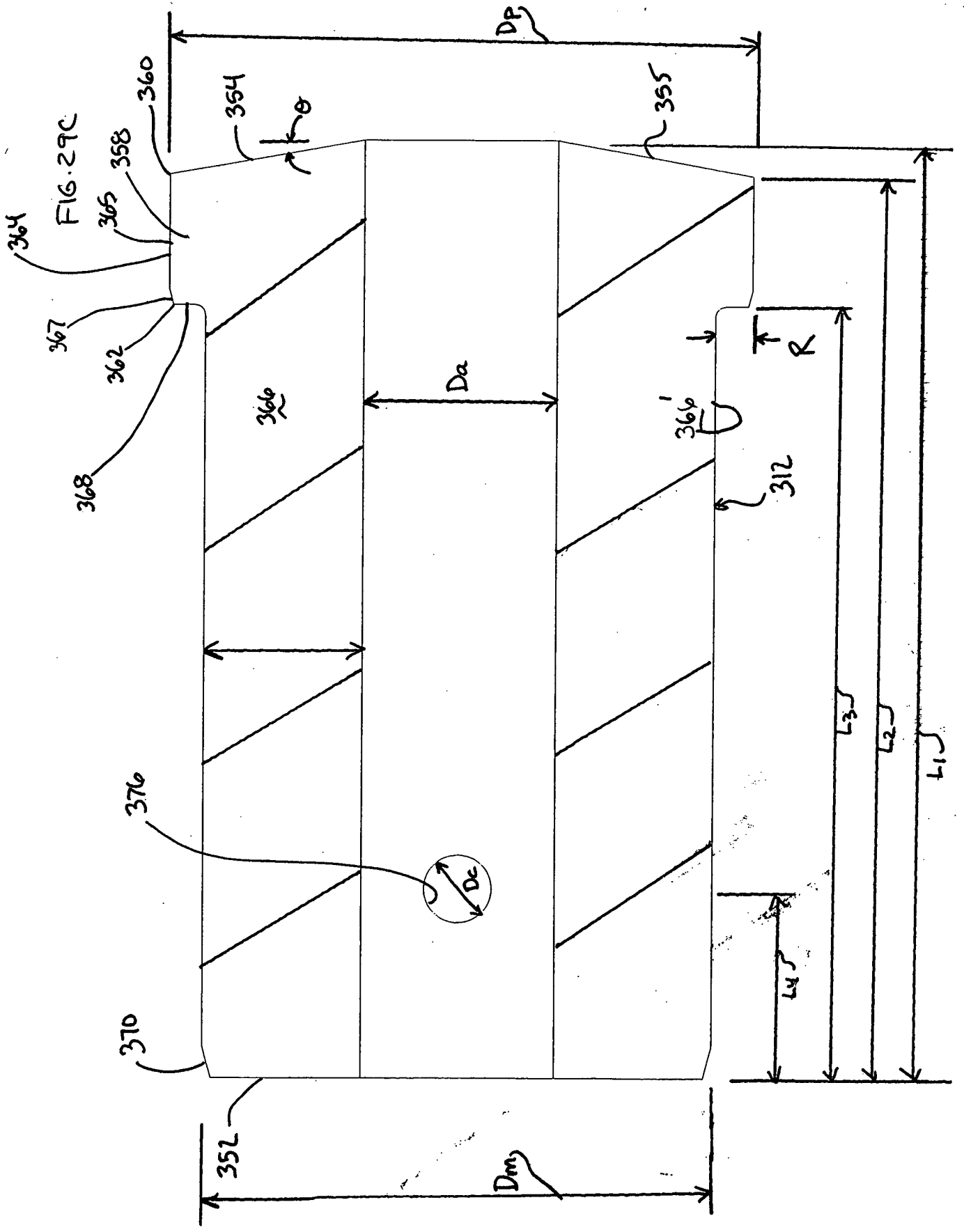


FIG. 30

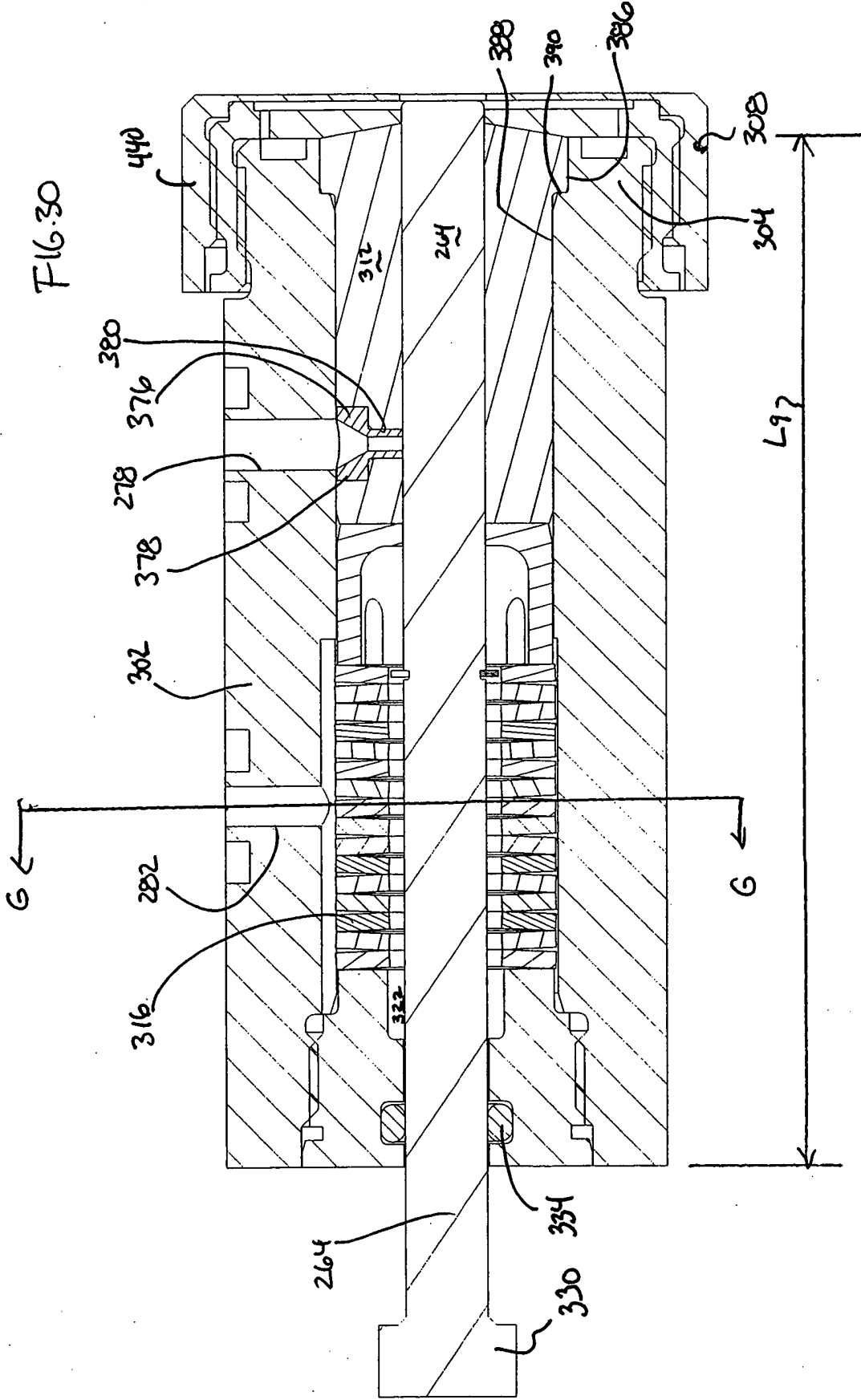
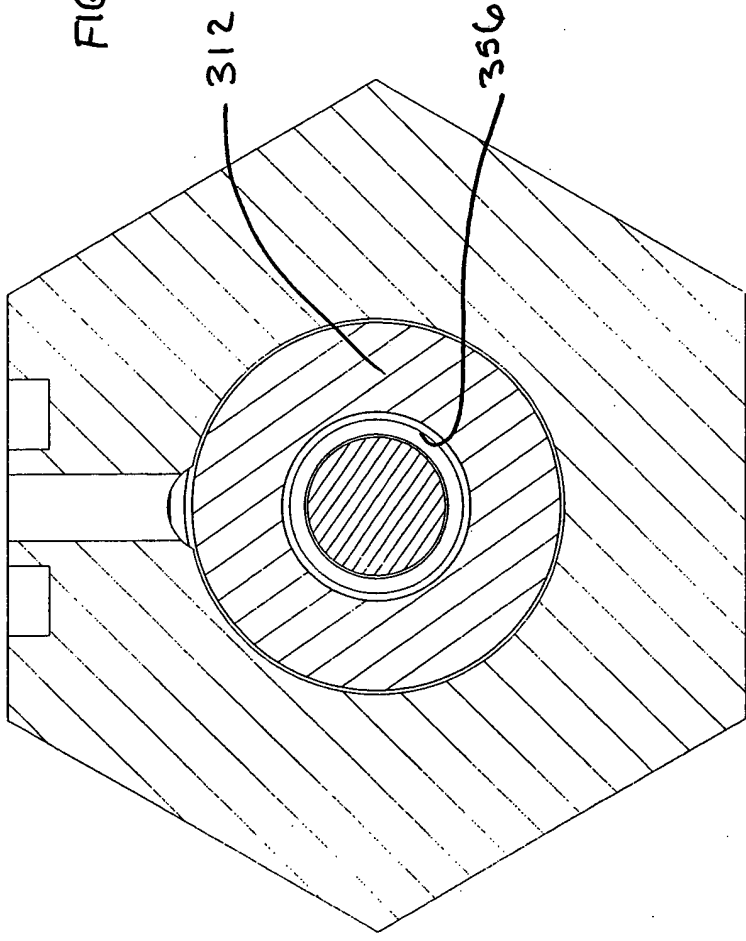


FIG. 31



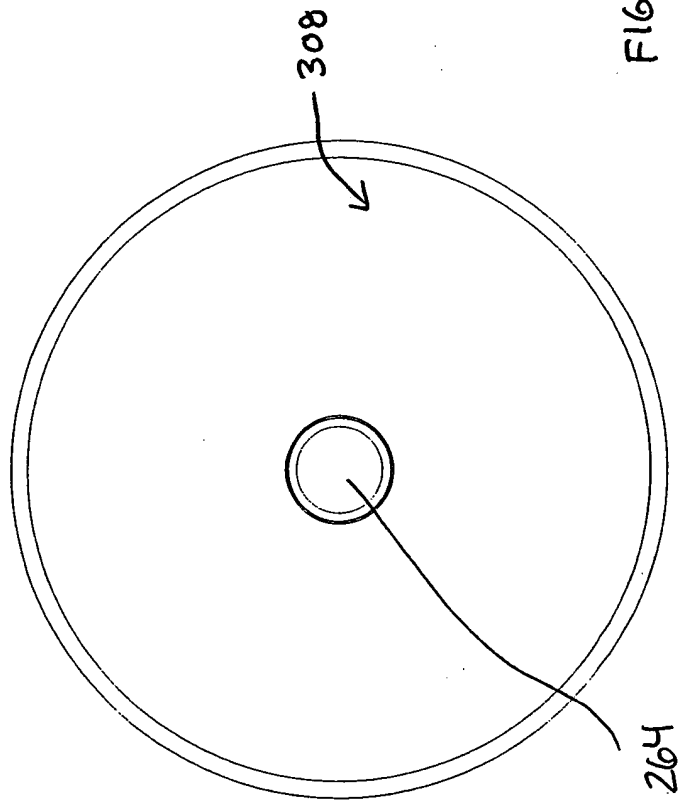
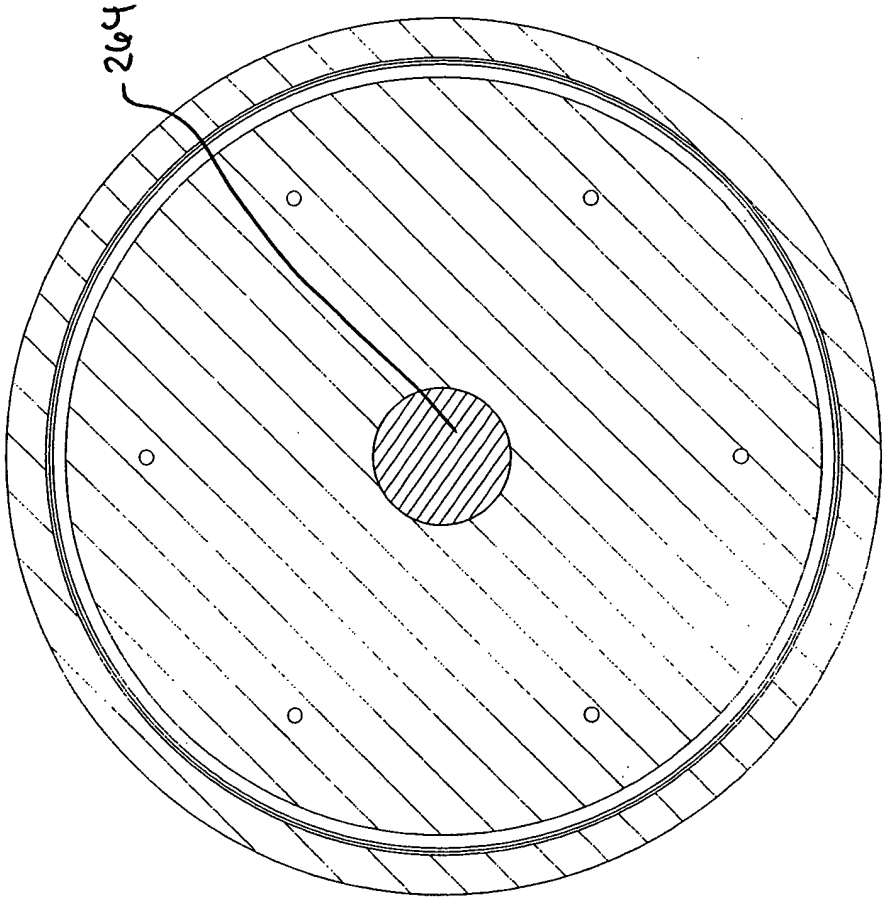
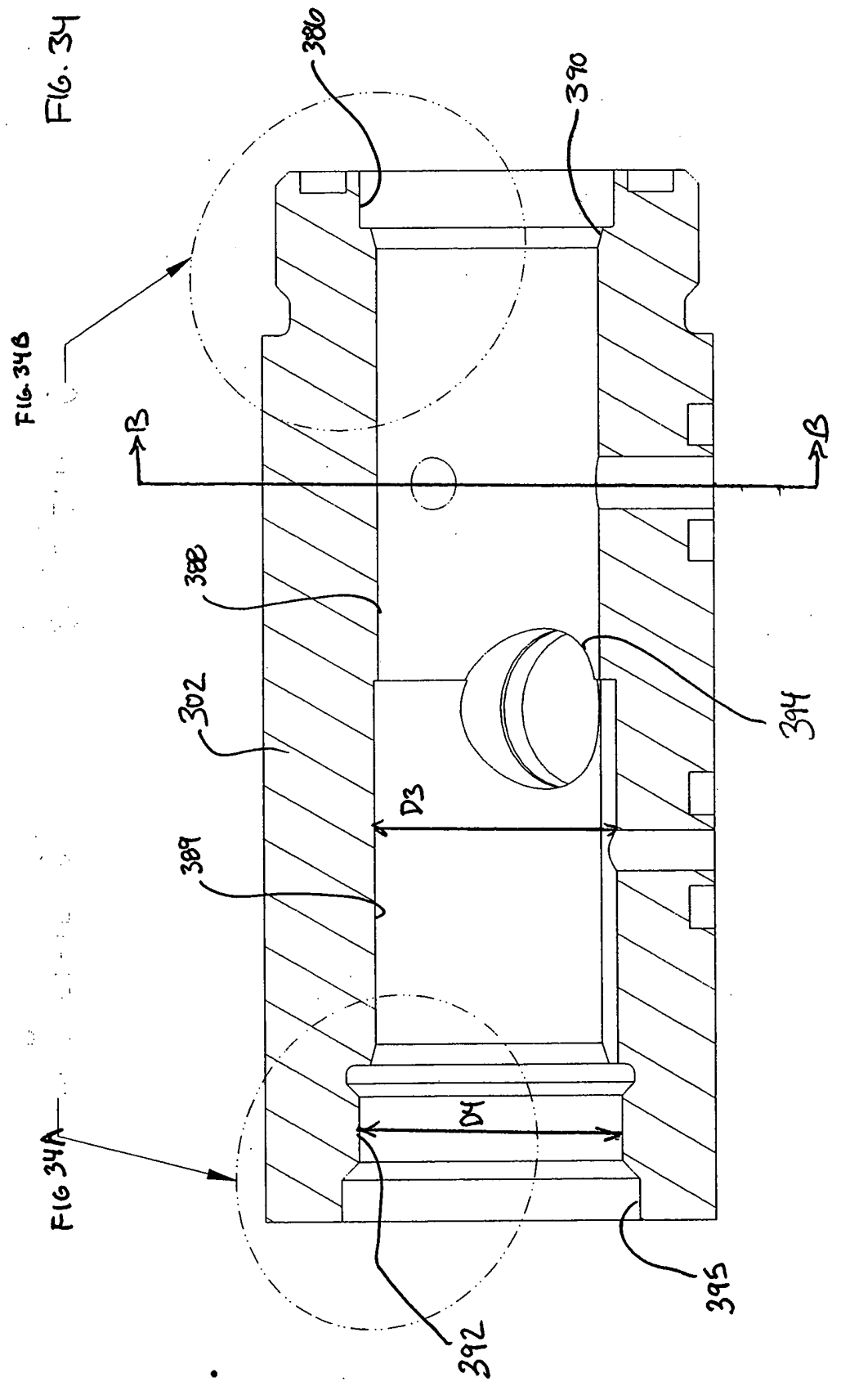


FIG. 32

FIG. 33





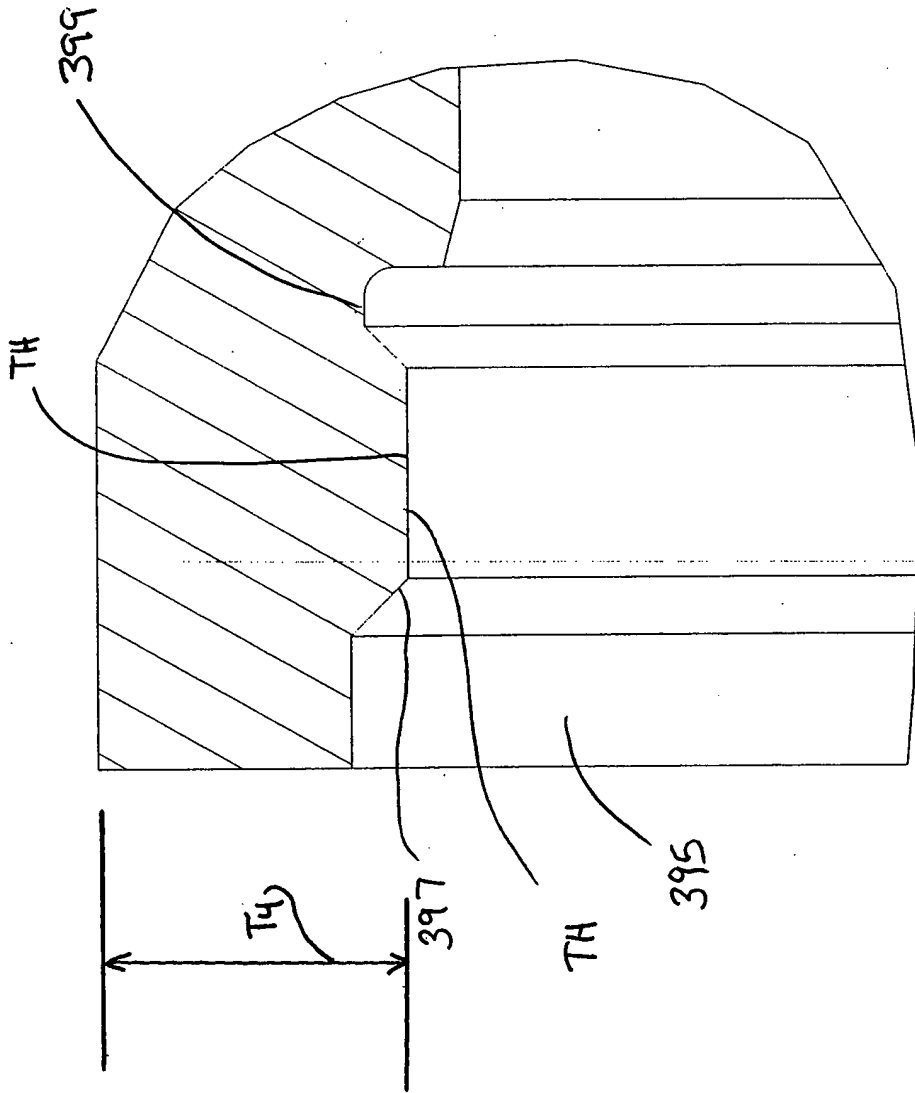


FIG. 341A

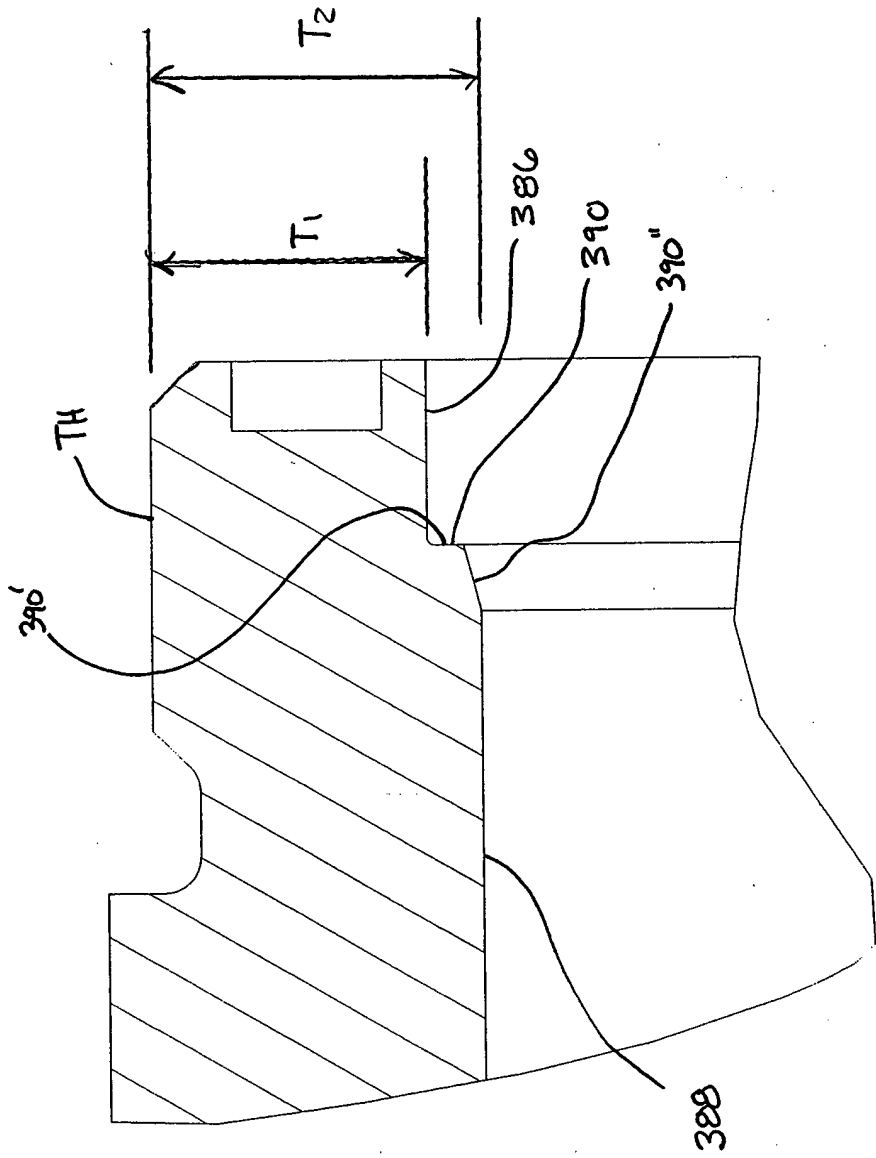


FIG. 34B

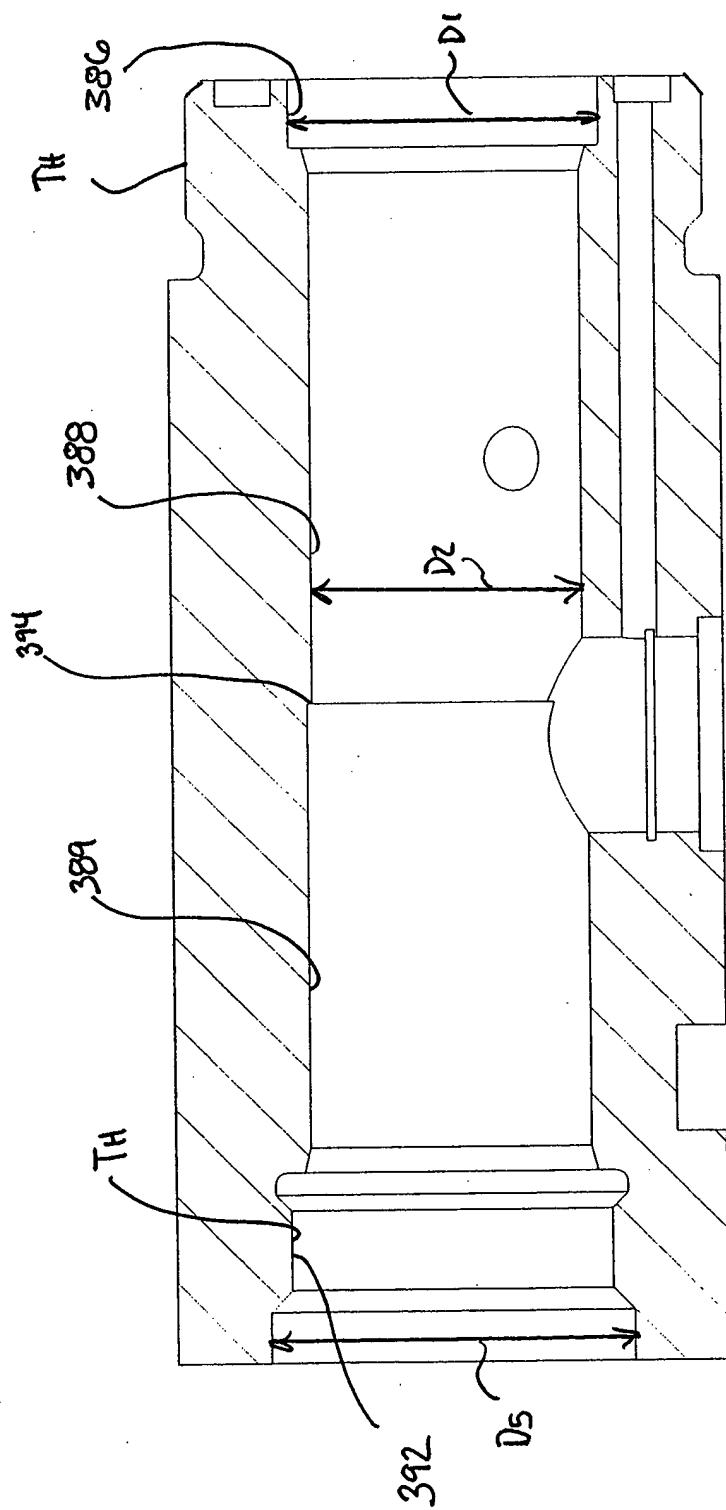


FIG. 35

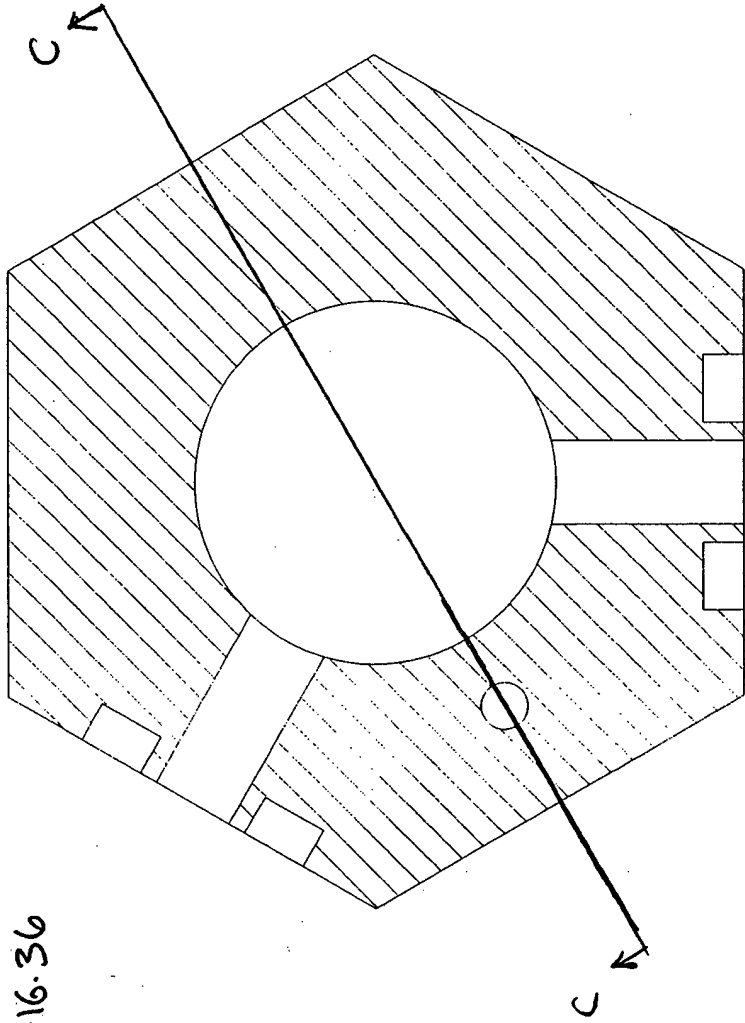


FIG. 36

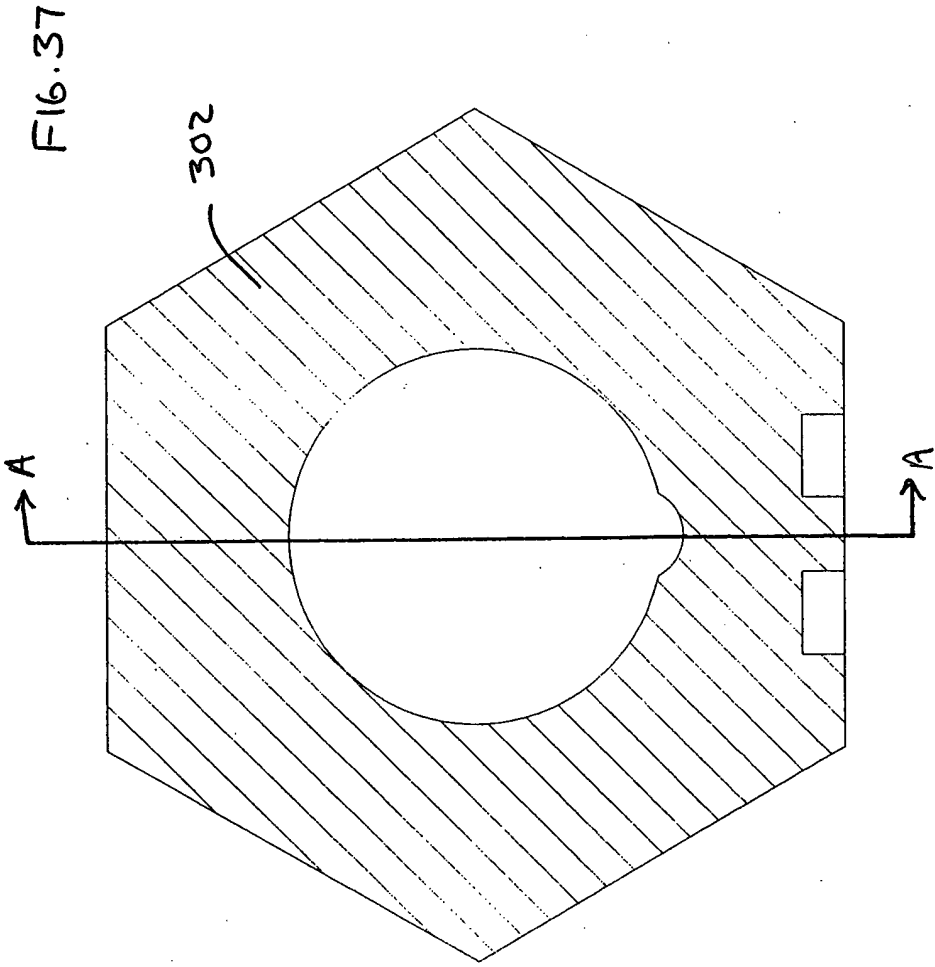
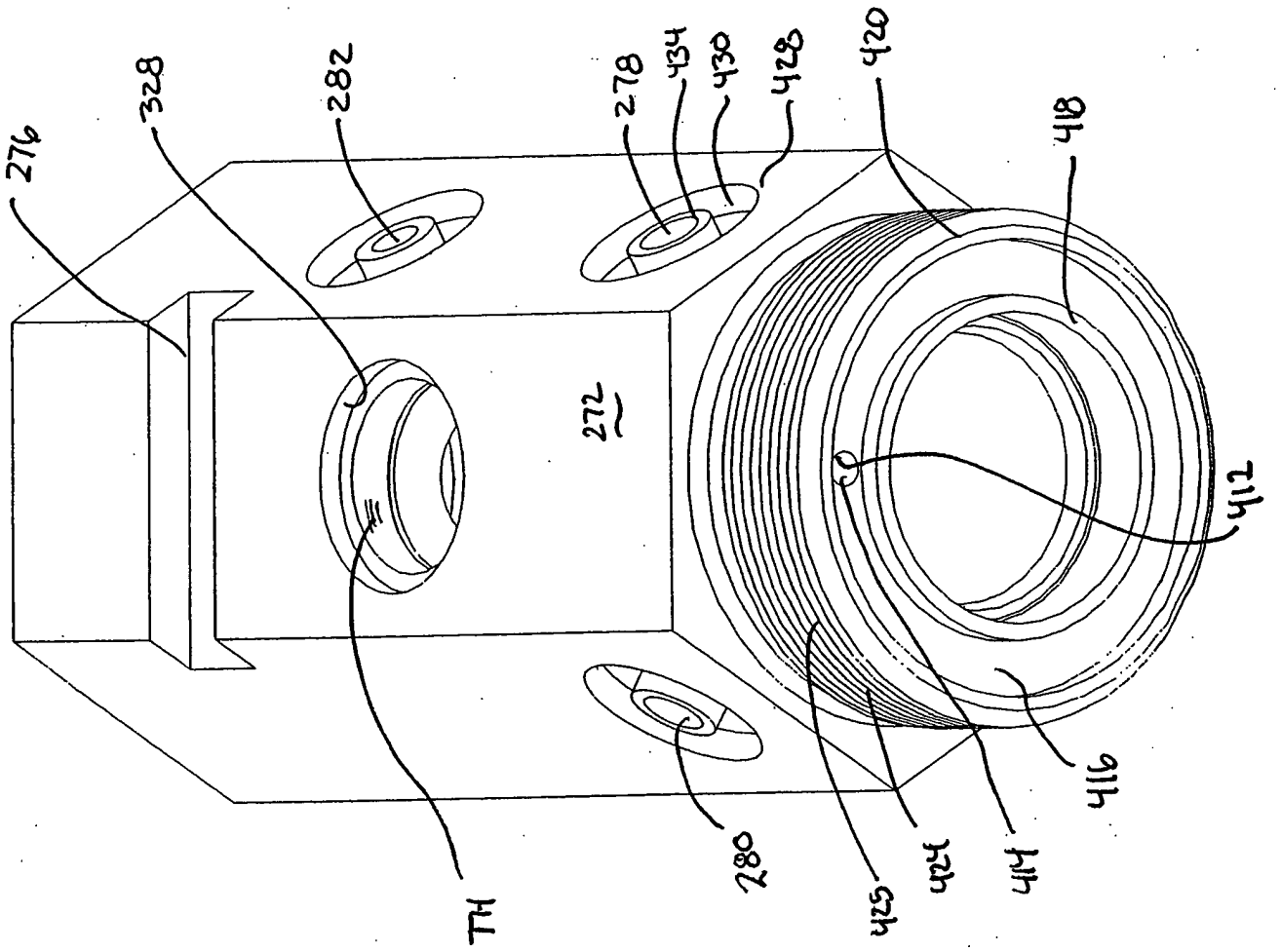
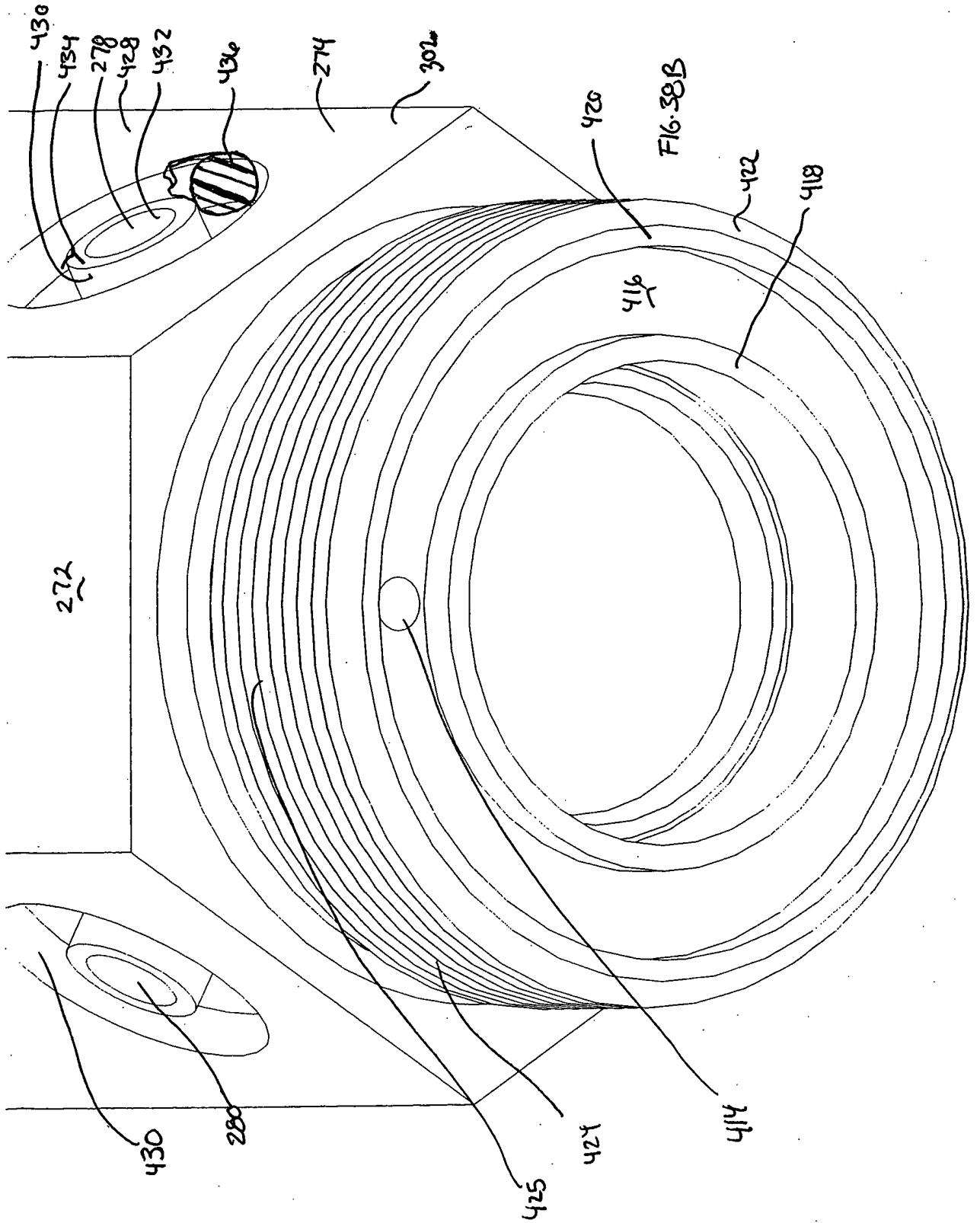


FIG. 38A





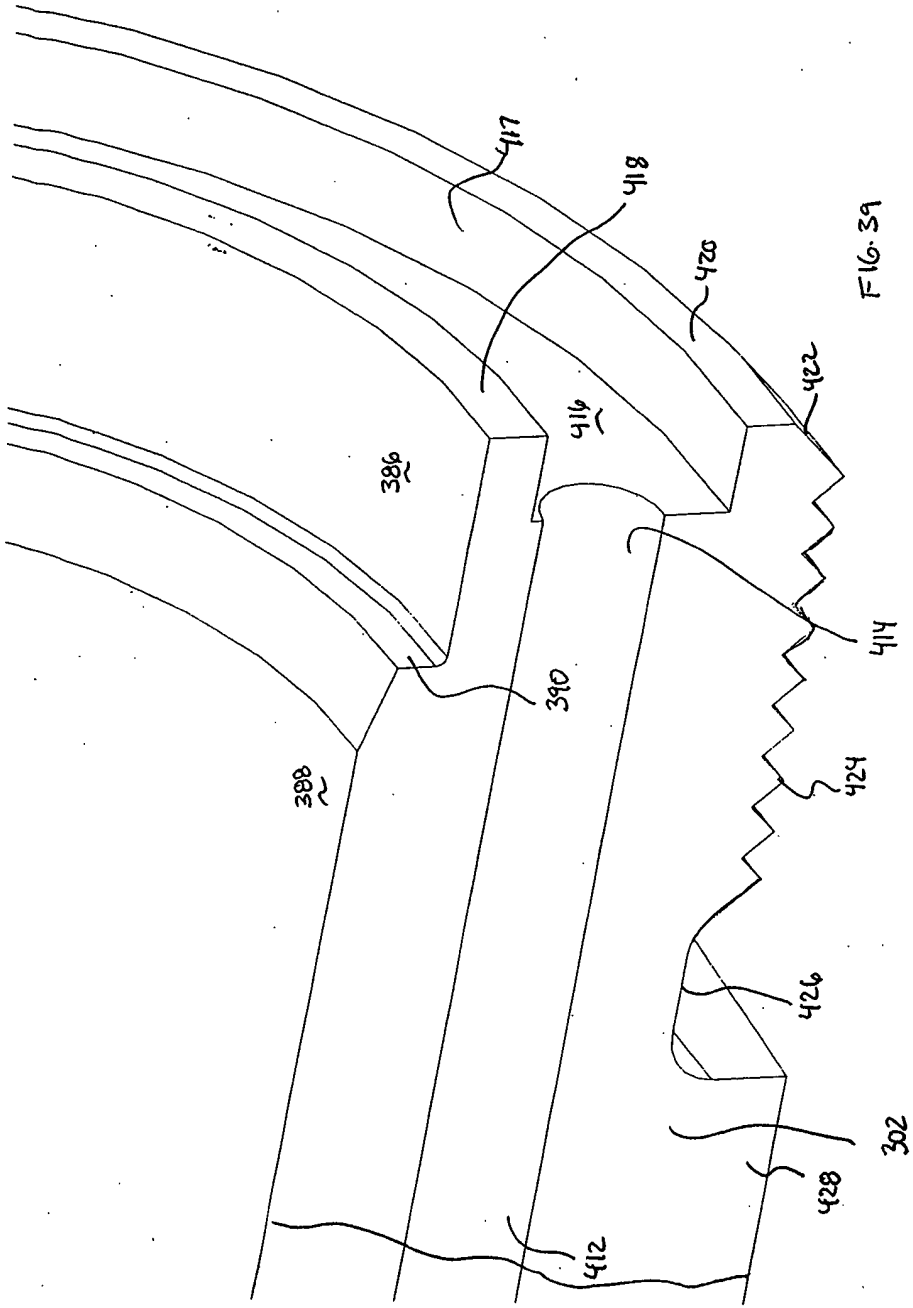


FIG. 39

FIG. 40

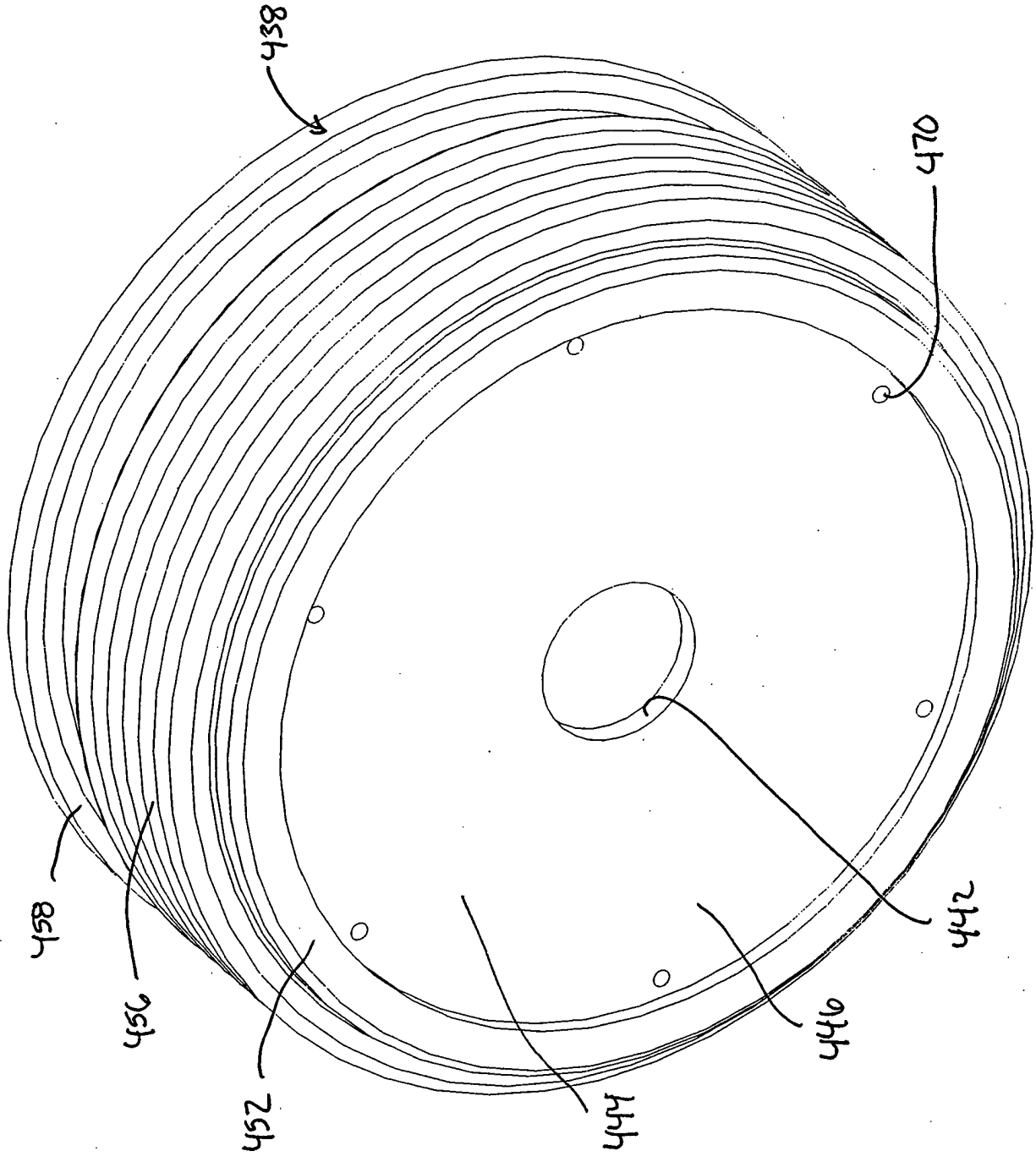


FIG. 41

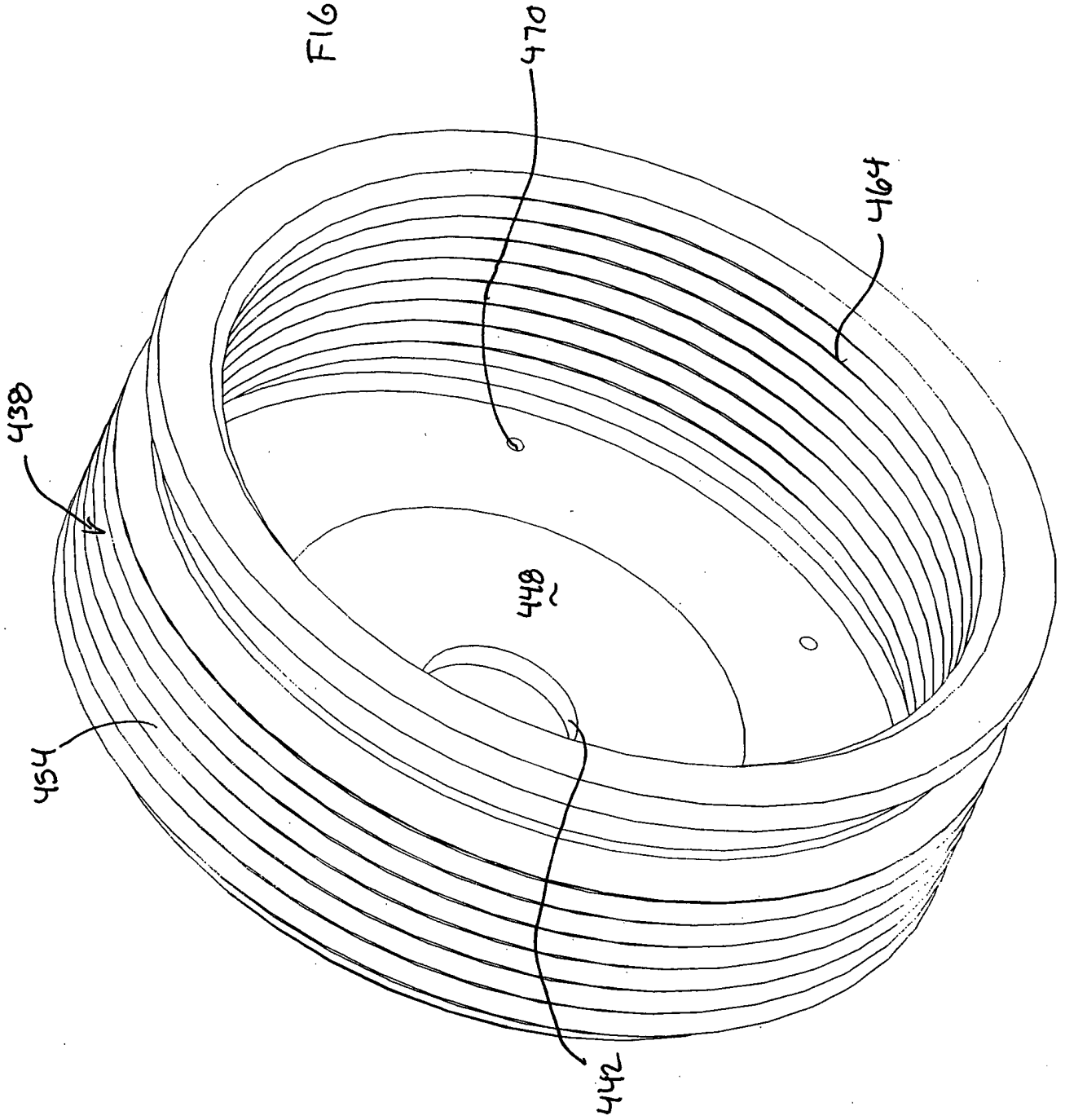
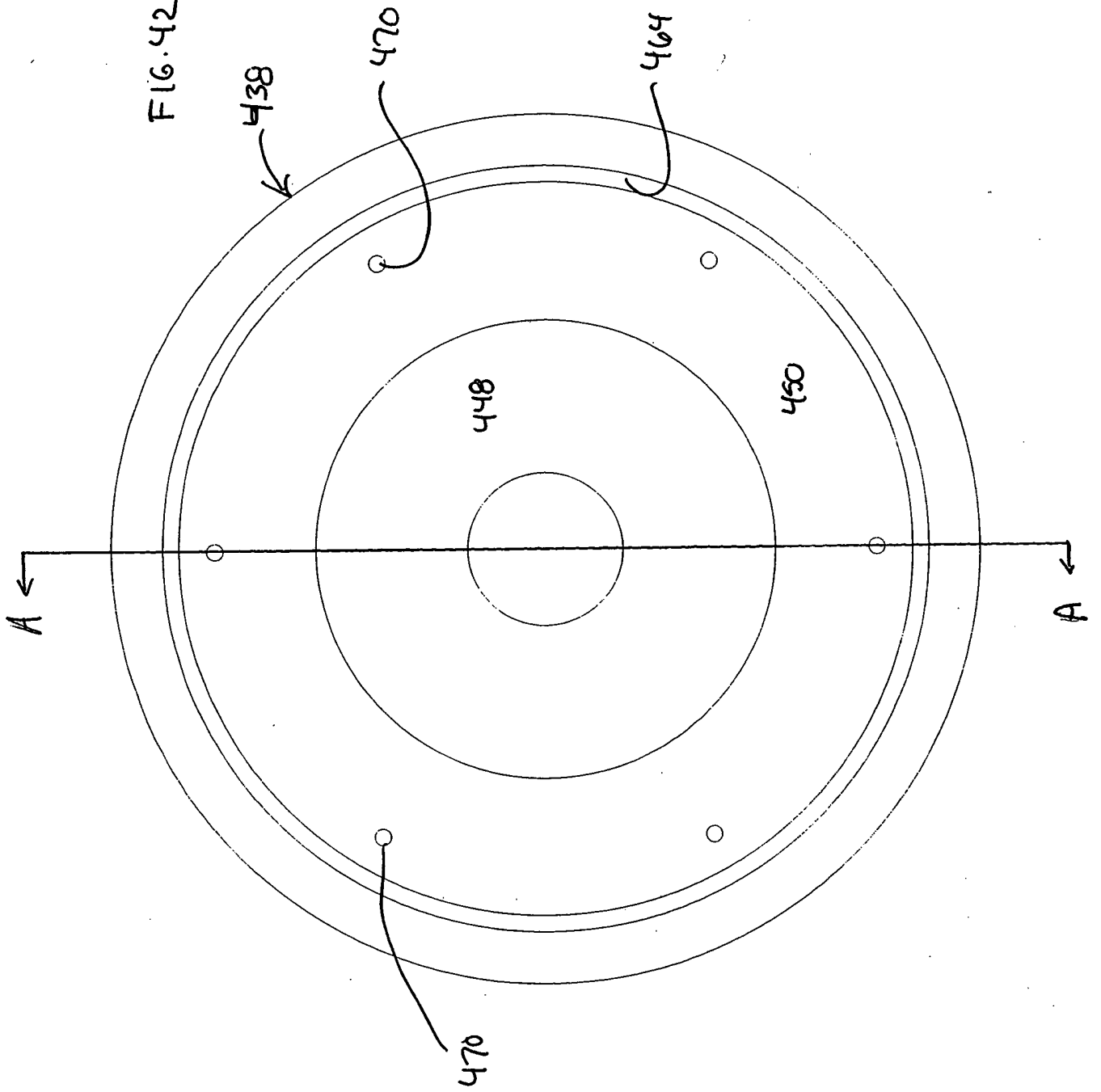


FIG. 42



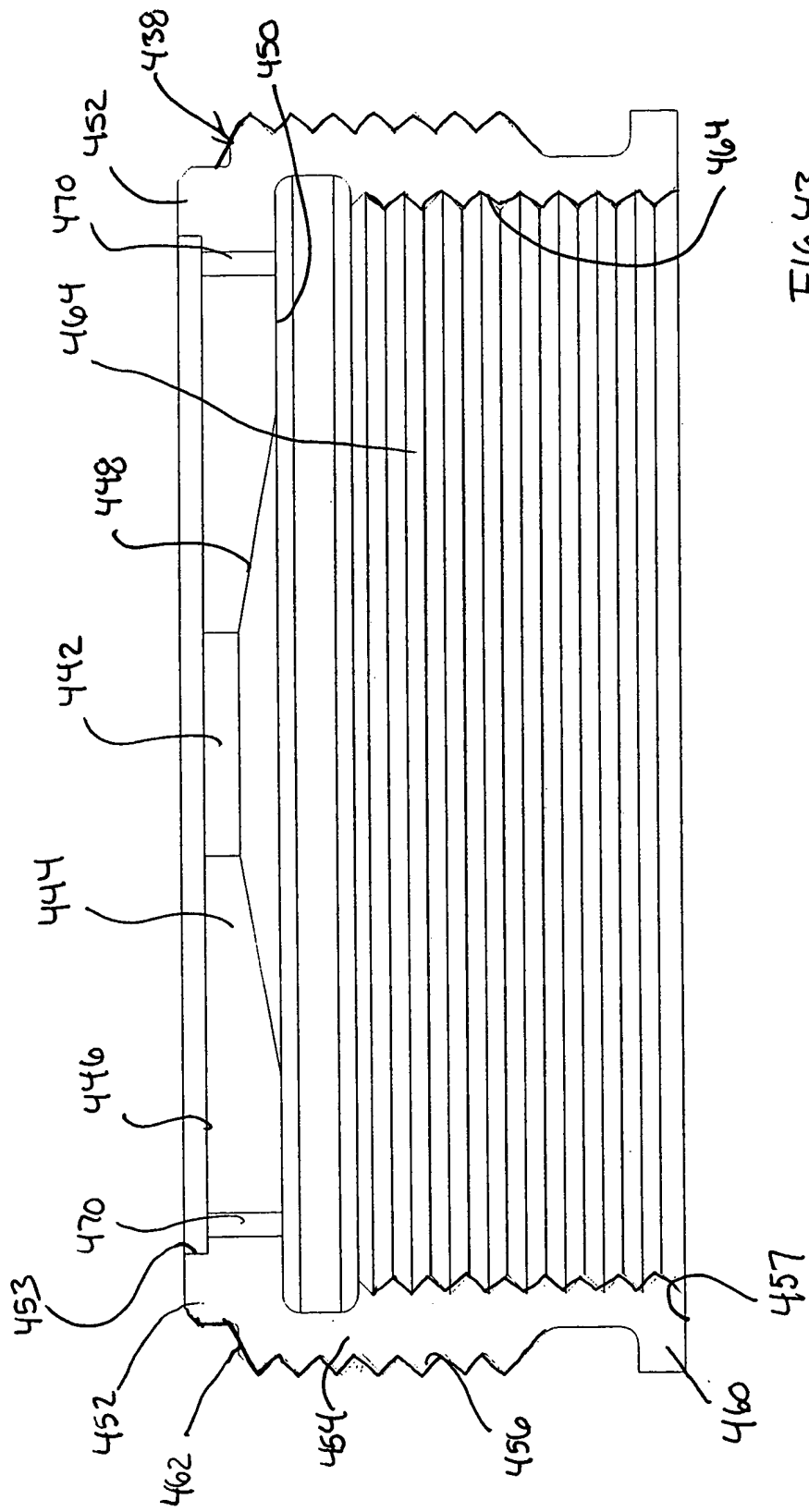


FIG. 43

FIG. 44

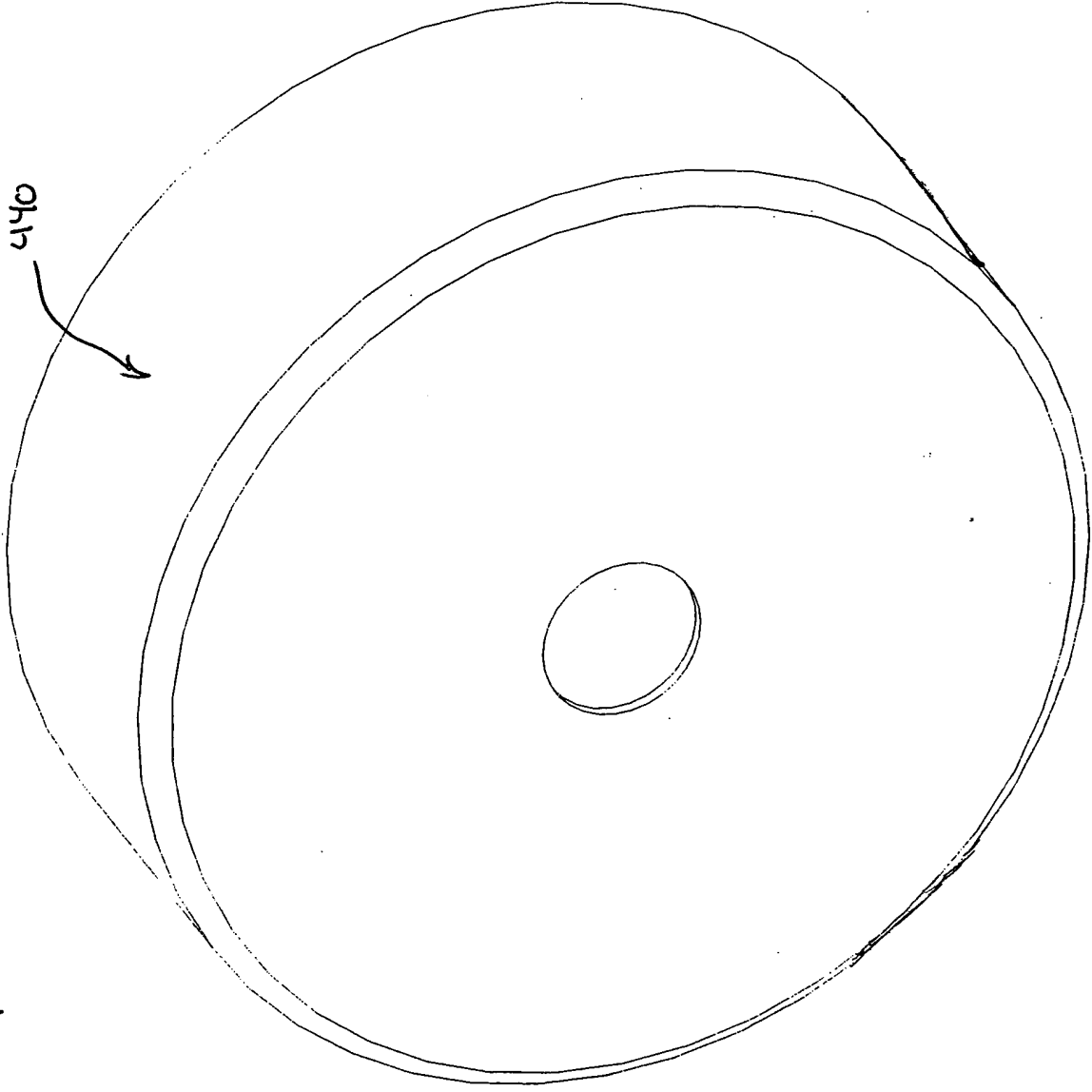


FIG. 45

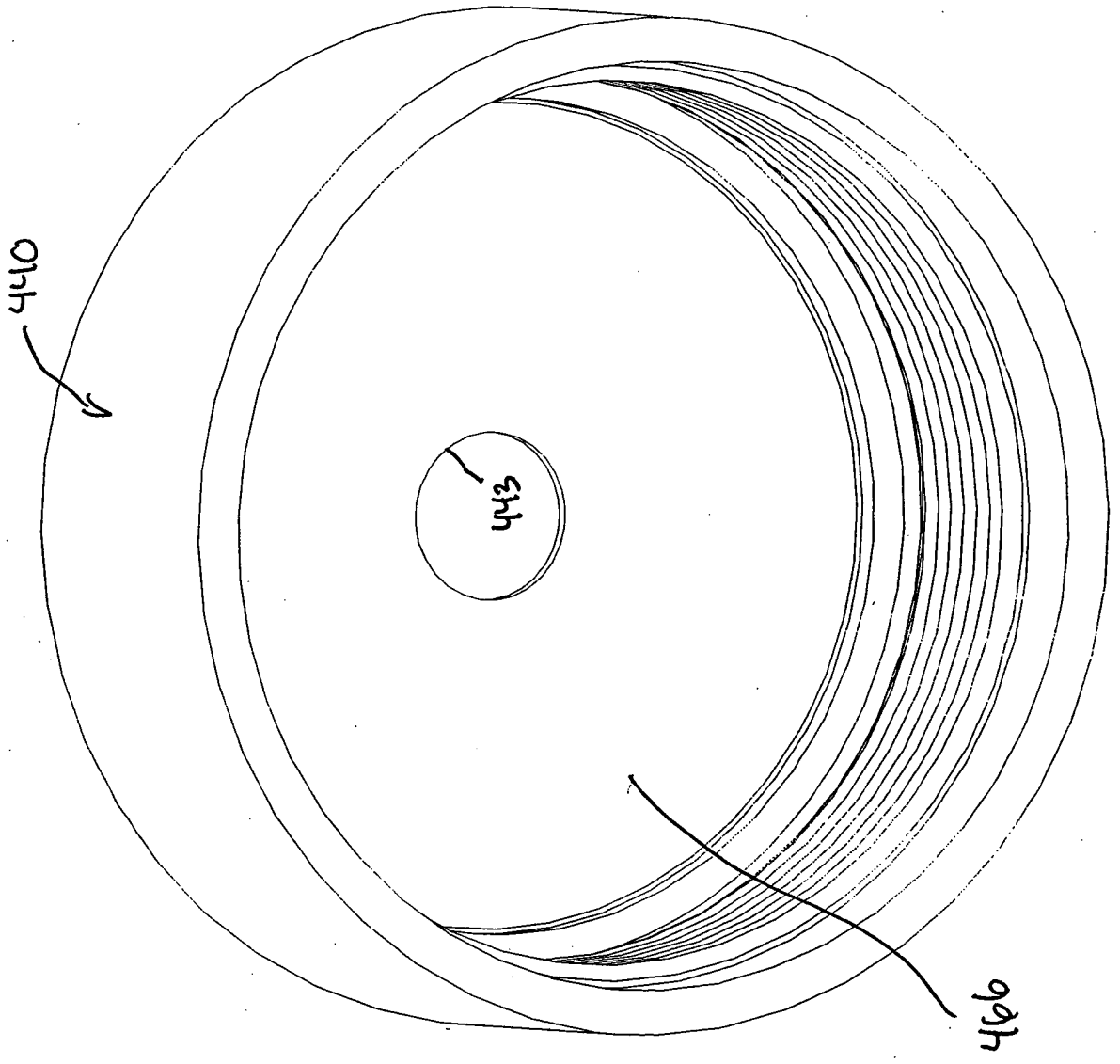
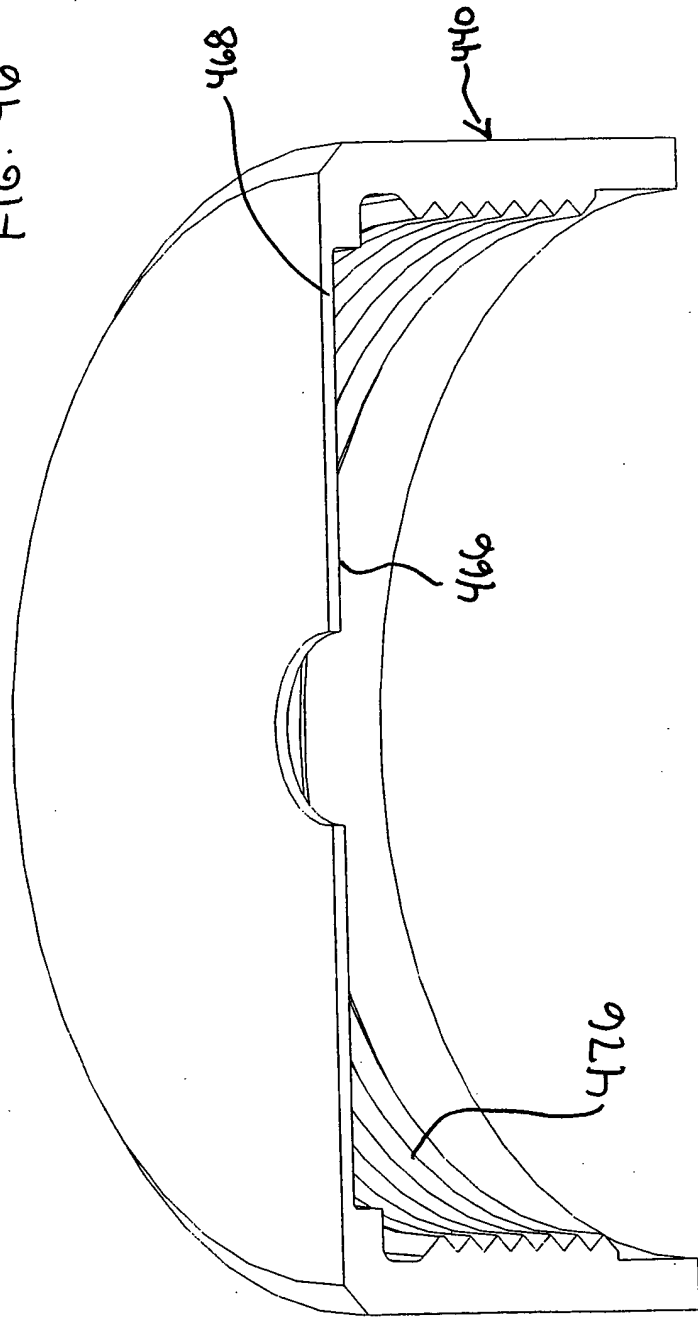


FIG. 46



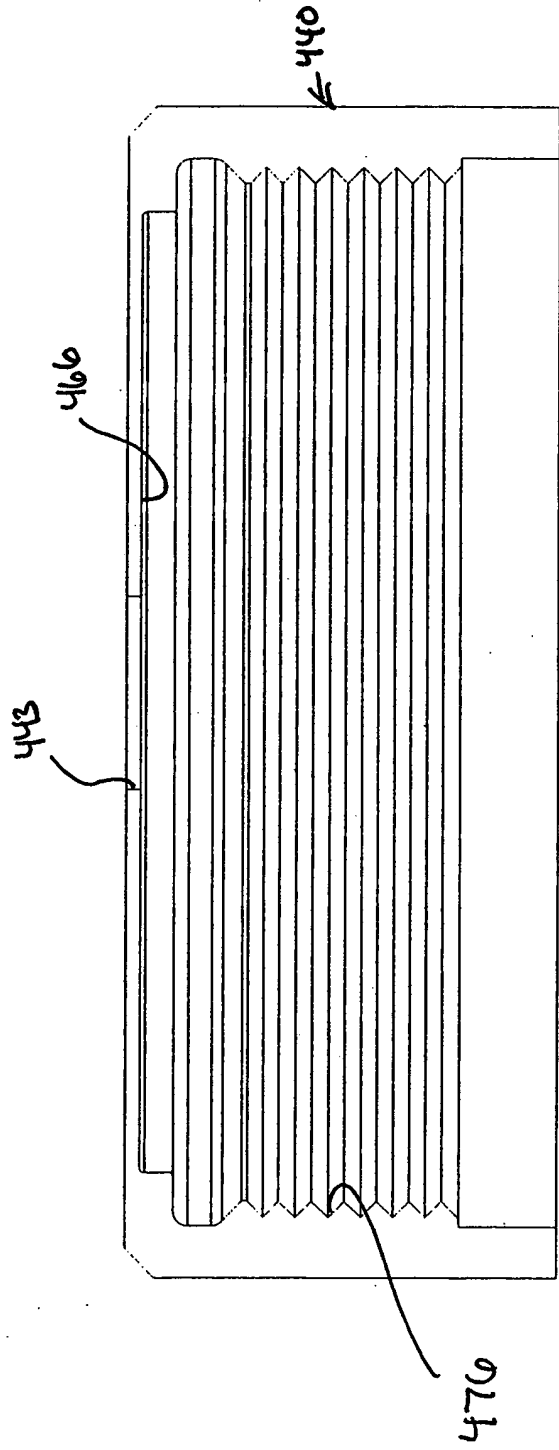
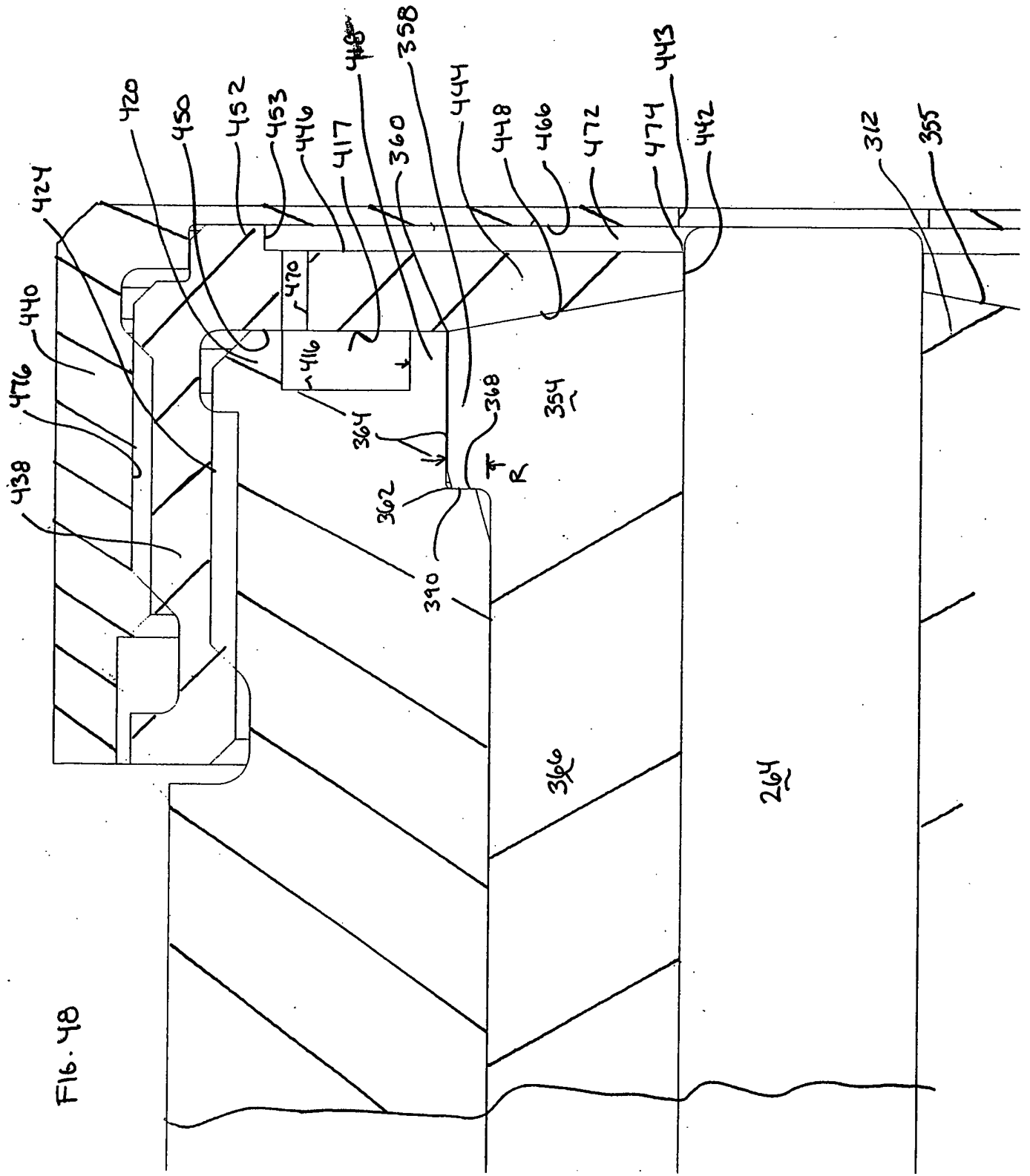
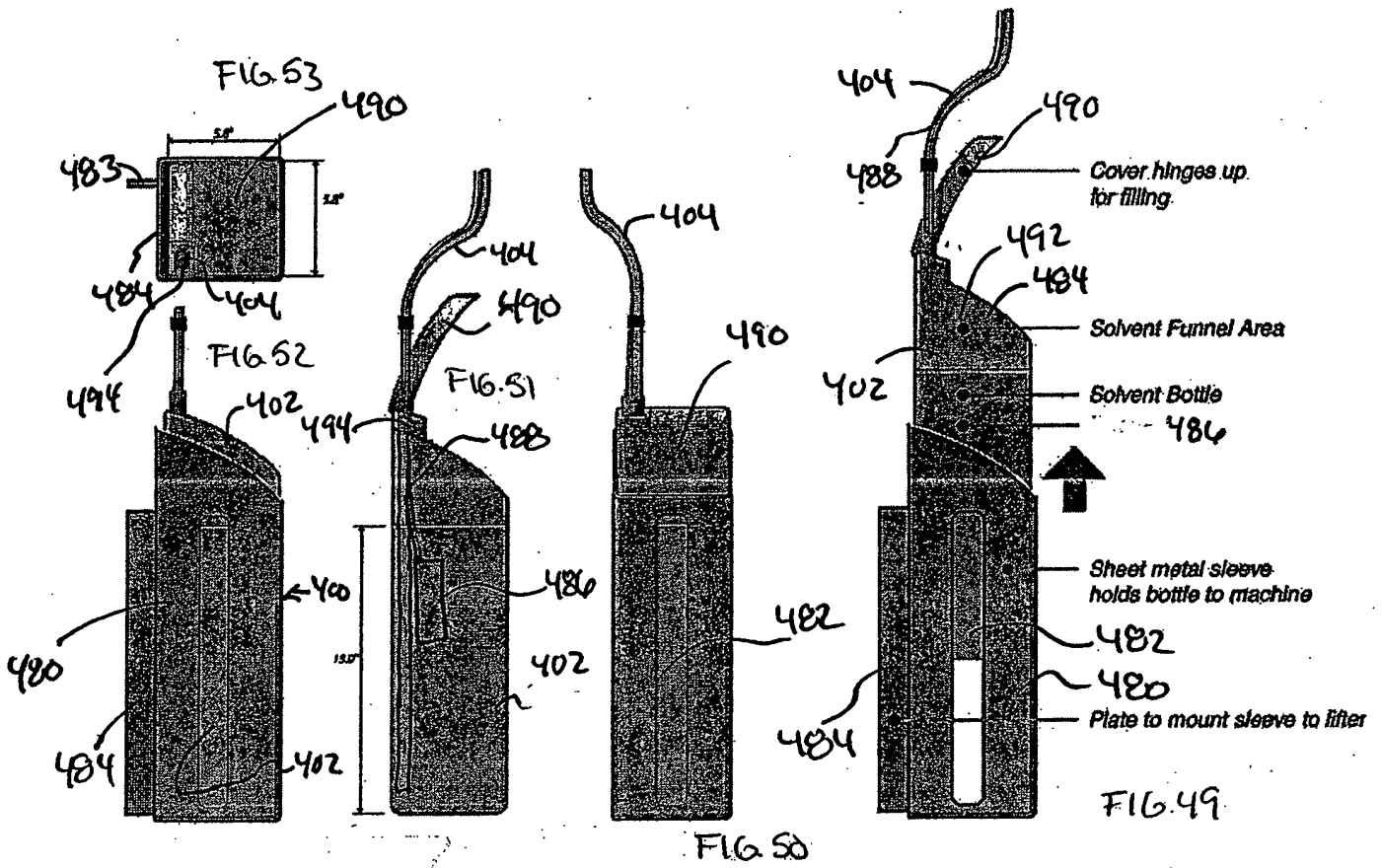


FIG. 47

FIG. 48





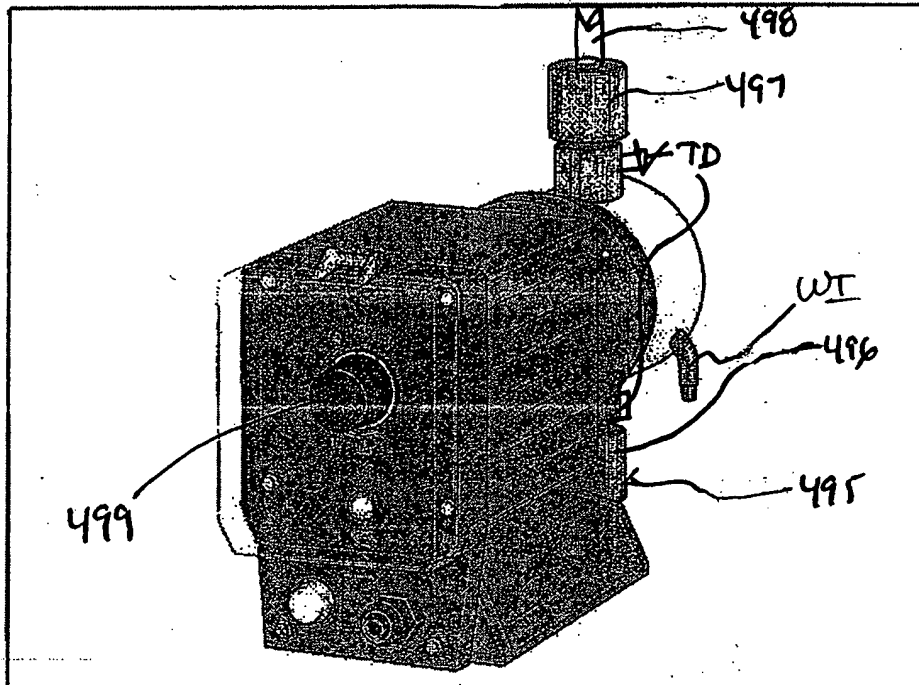


FIG. 54

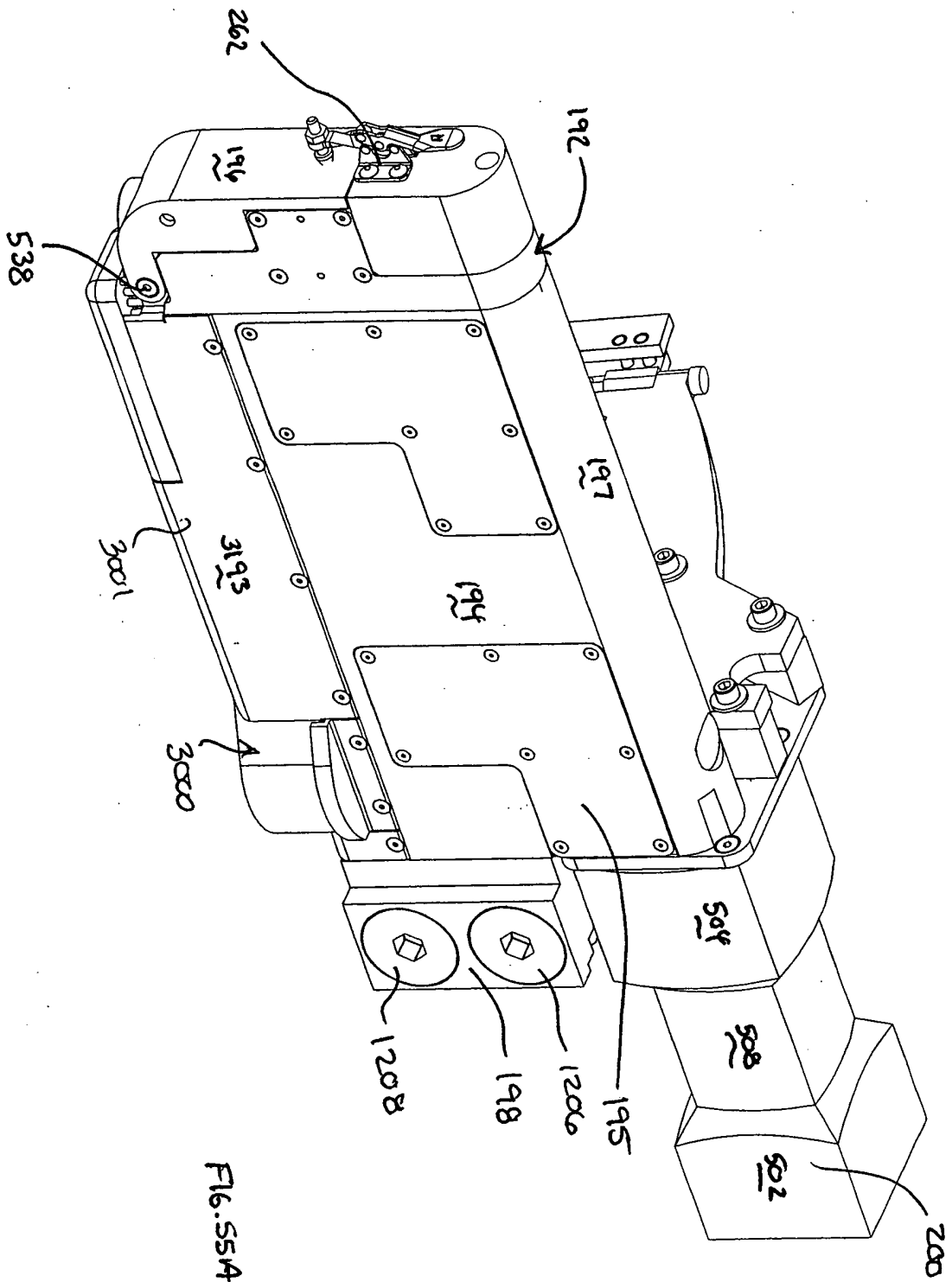
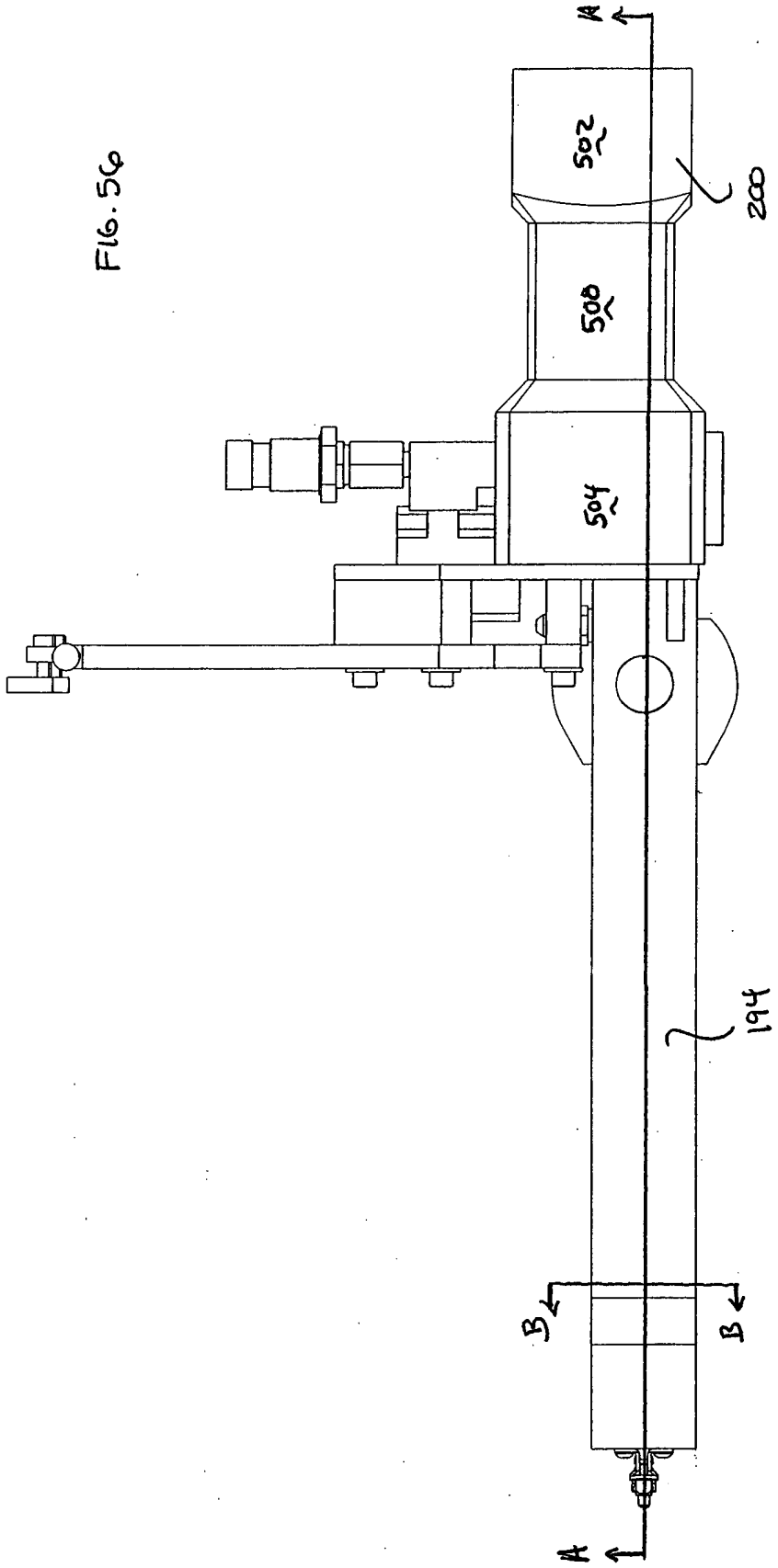


FIG. 55A

FIG. 56



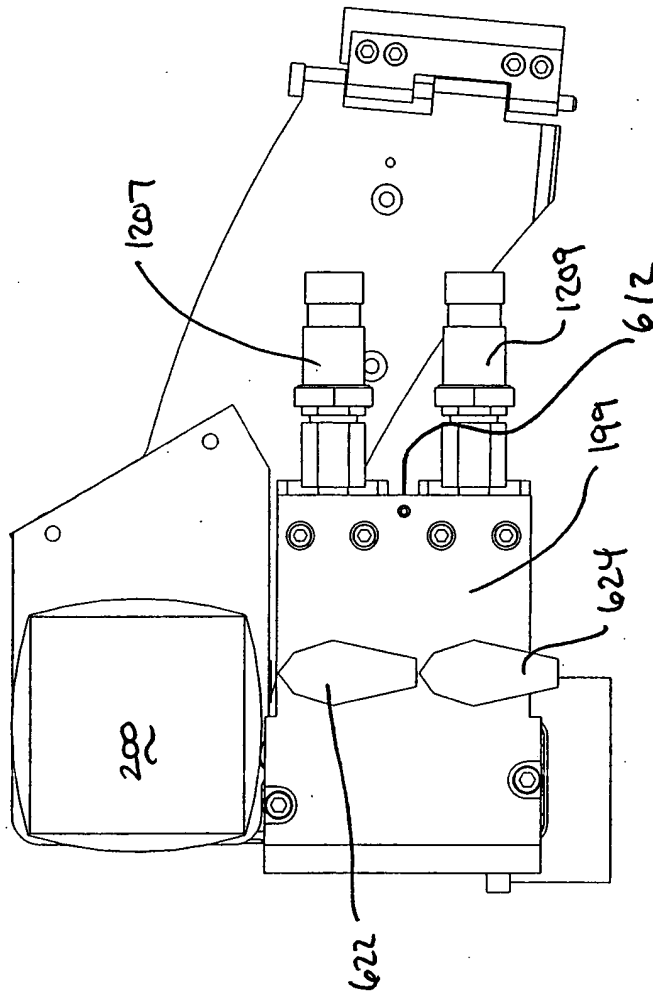


FIG. 57

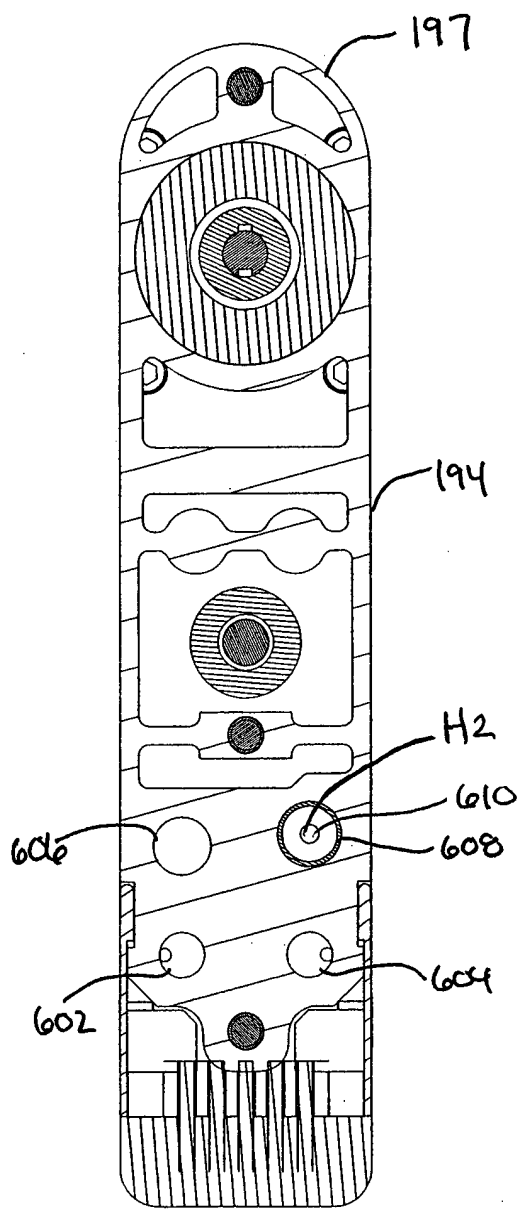


FIG. 58

FIG. 59

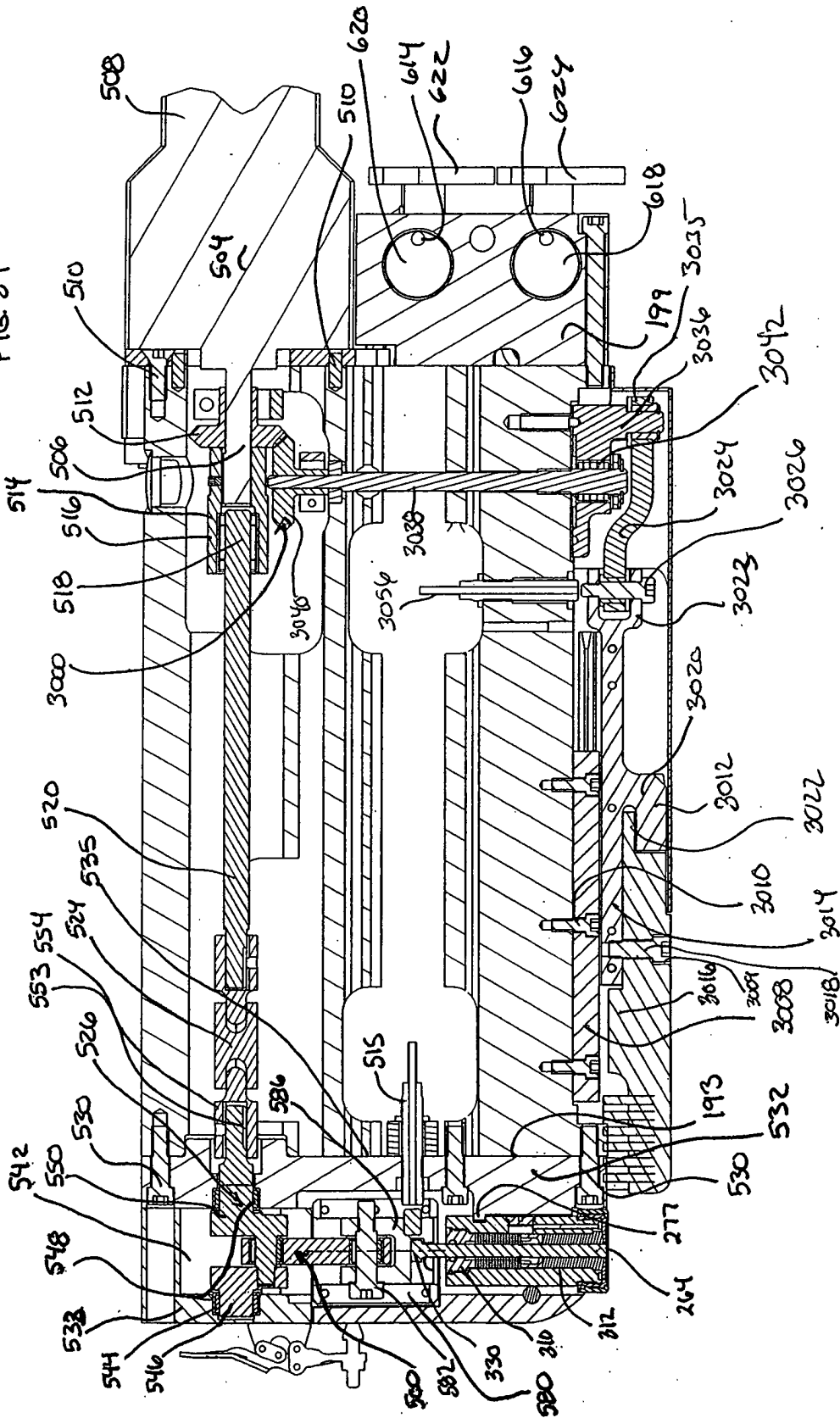


FIG. 60

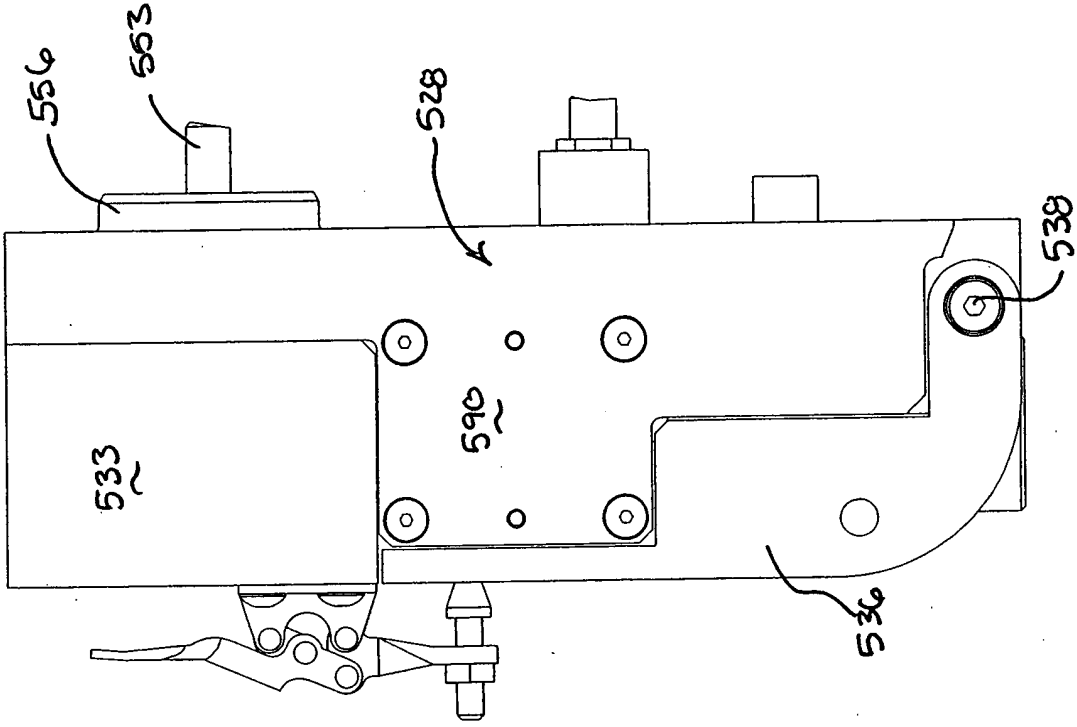


FIG. 61

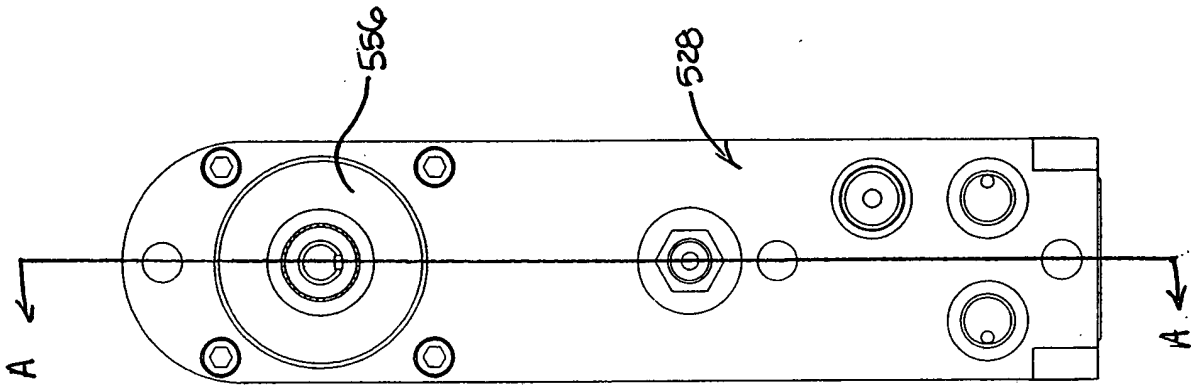


FIG. 62

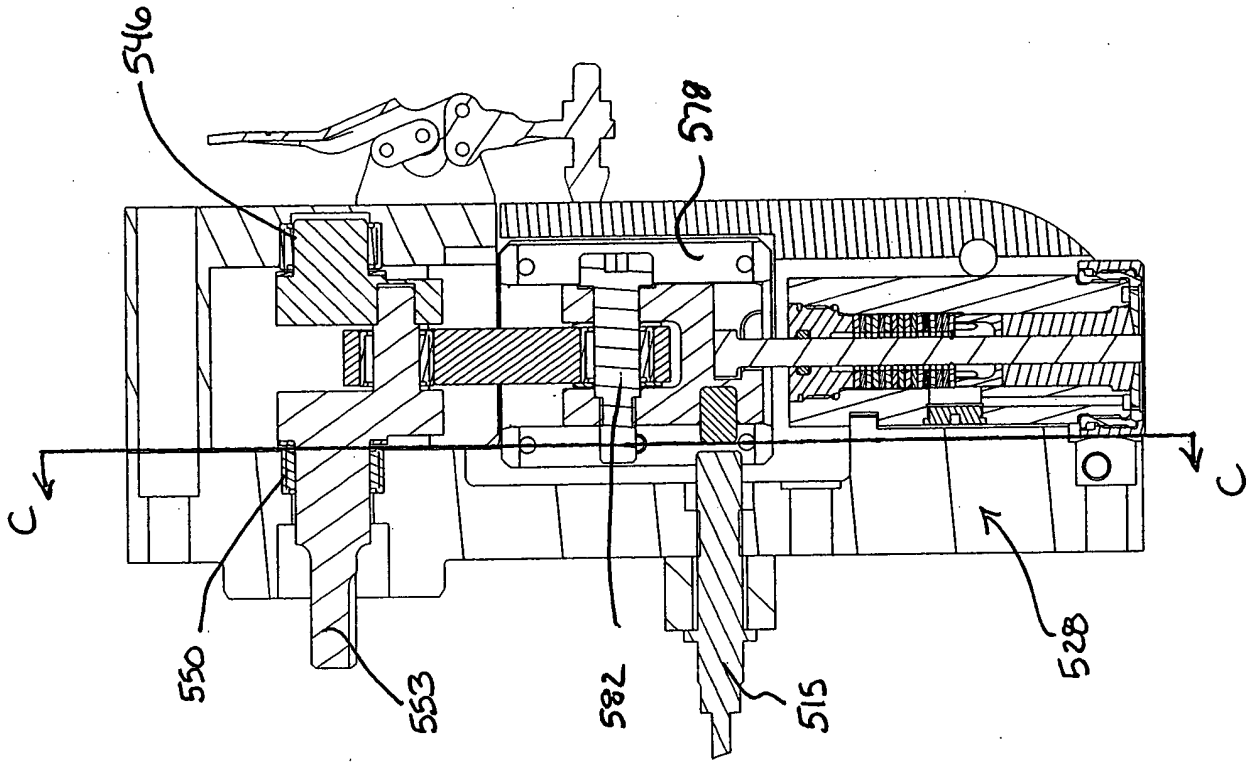
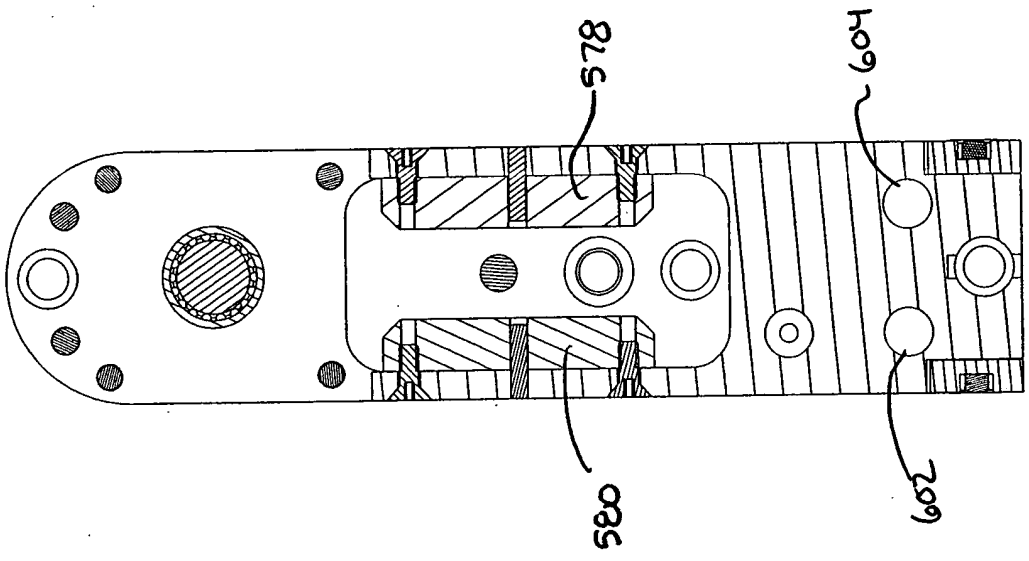


FIG. 63



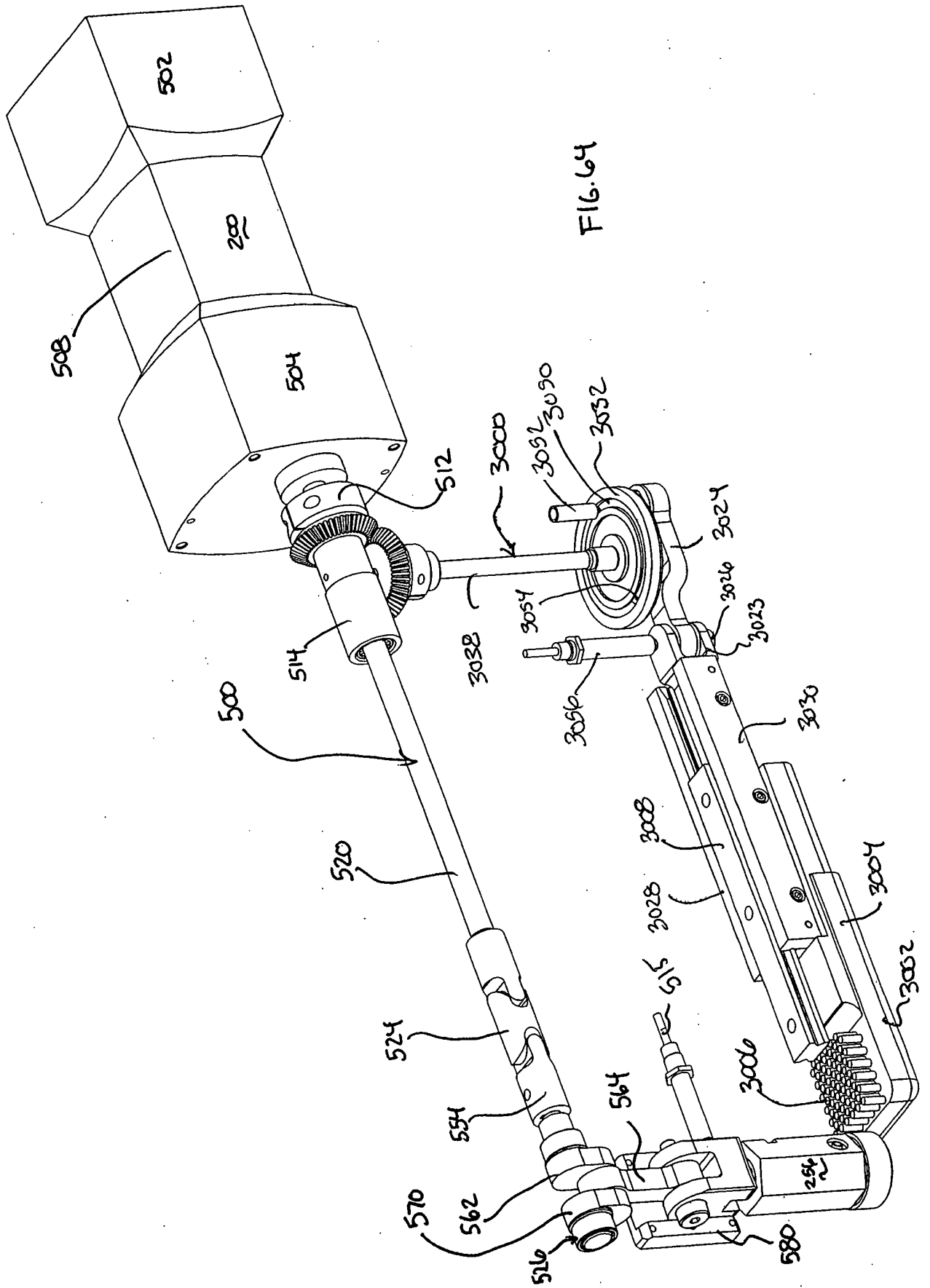
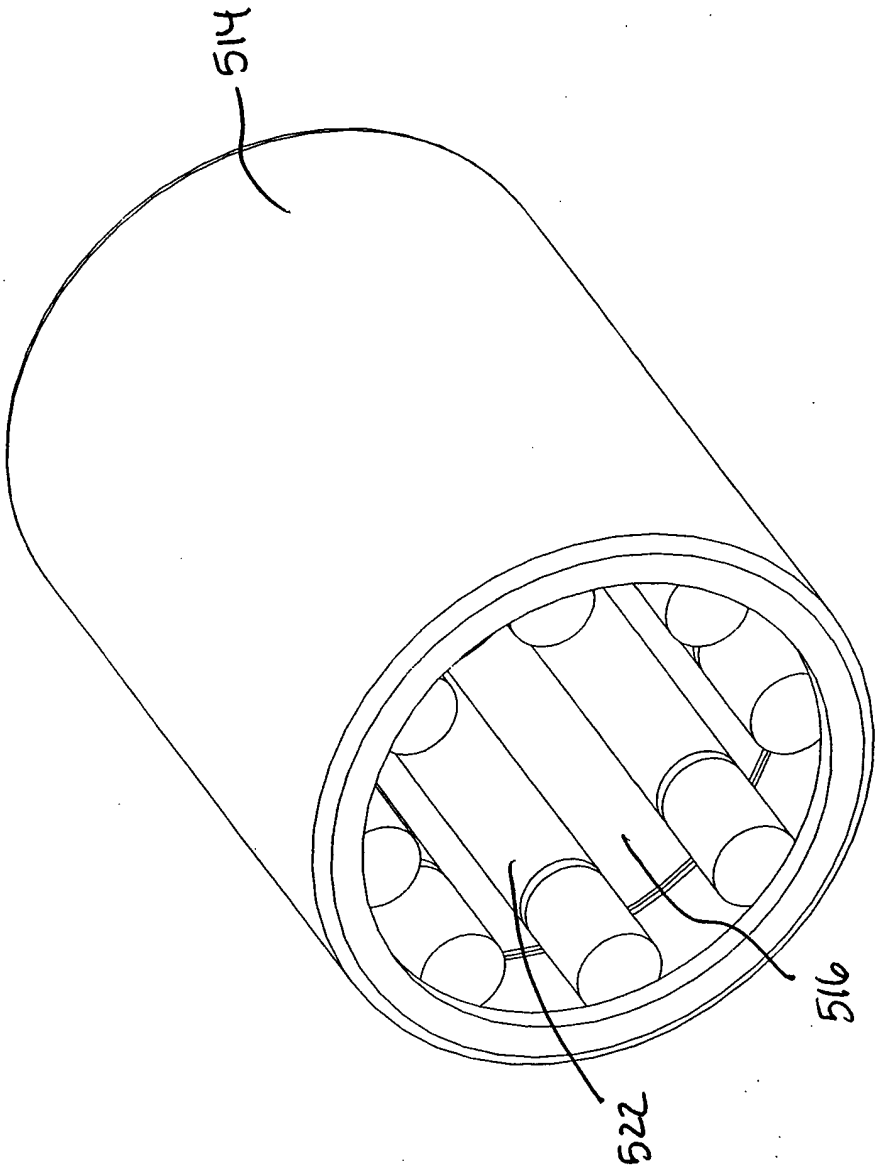


FIG. 65



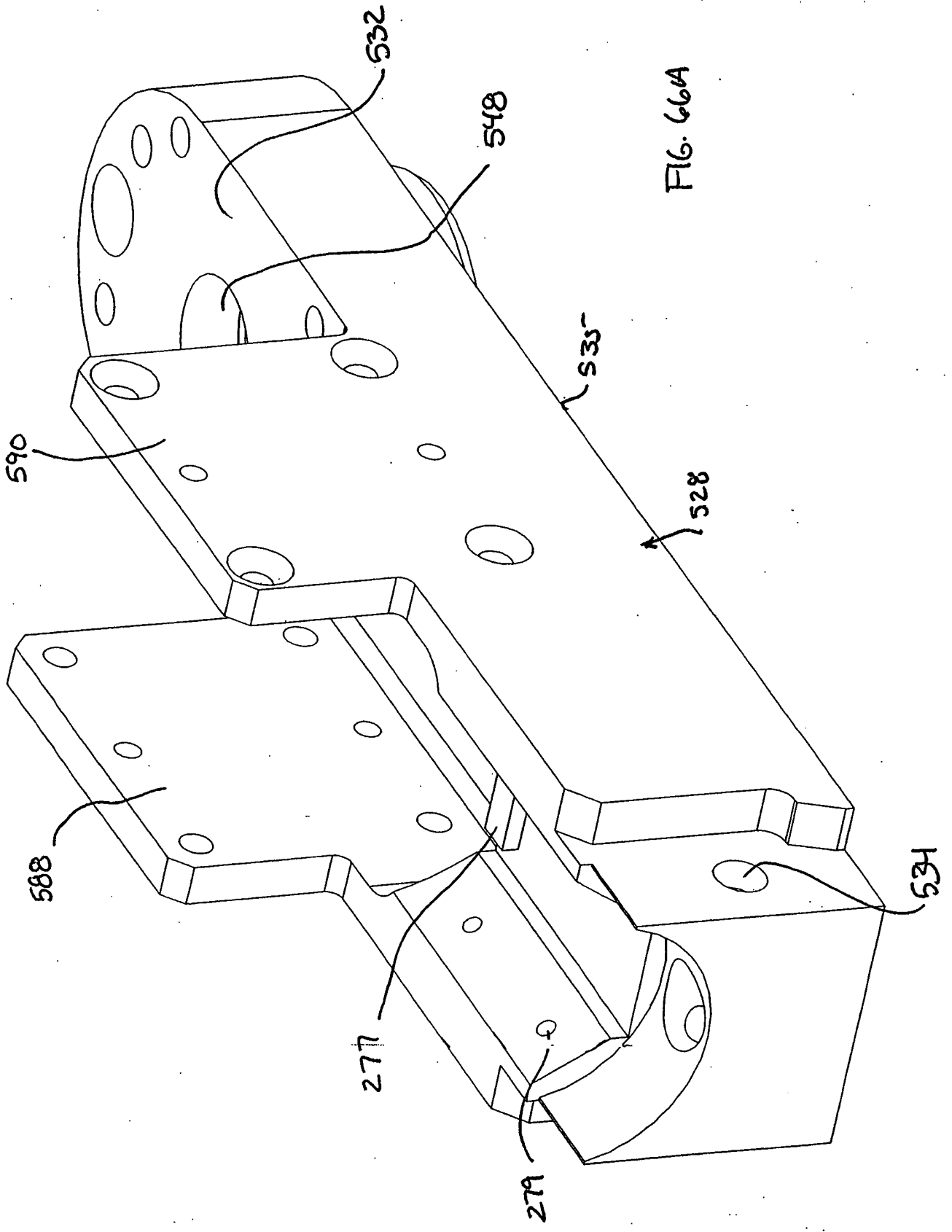
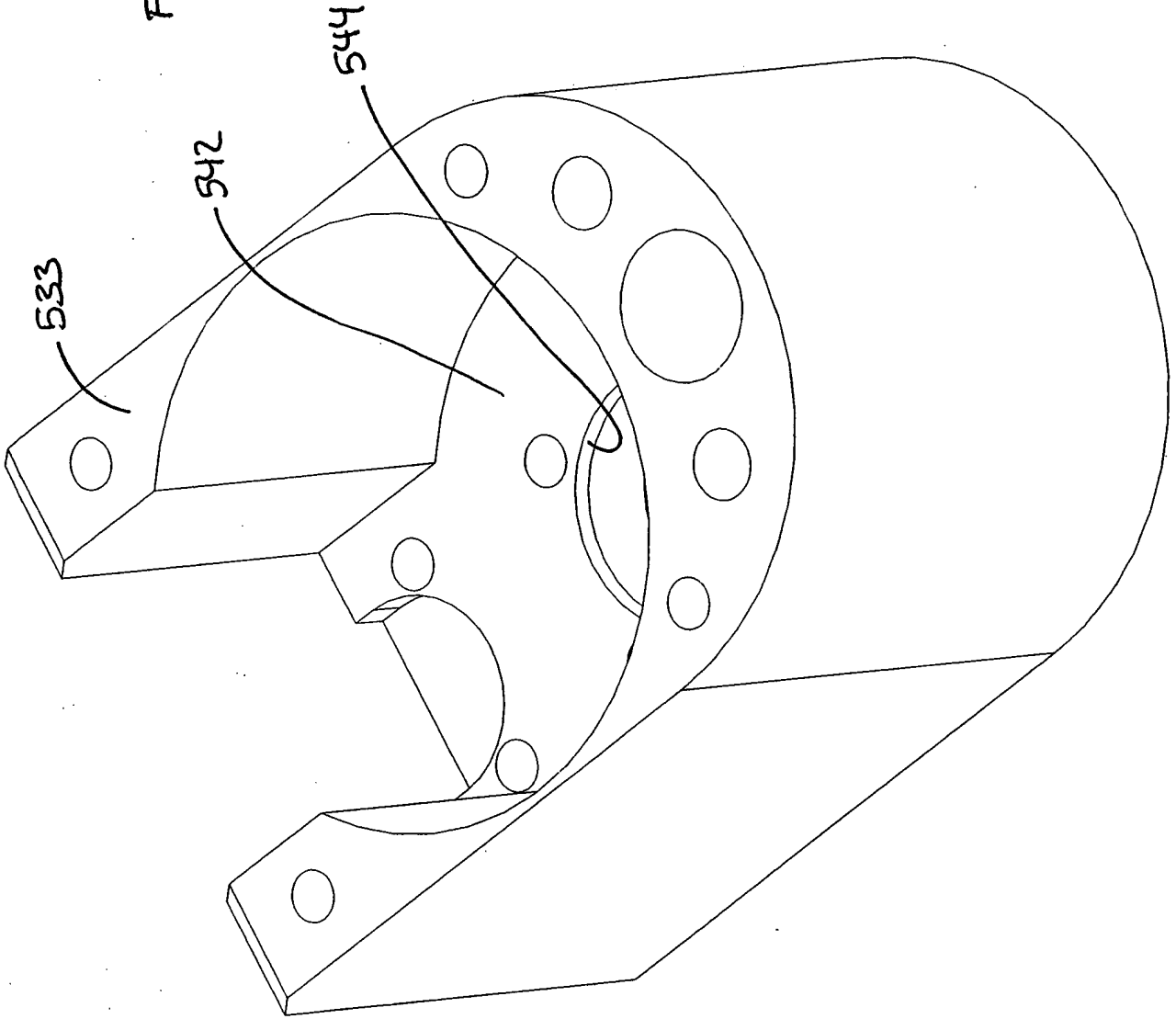


FIG. 66A

FIG. 66B



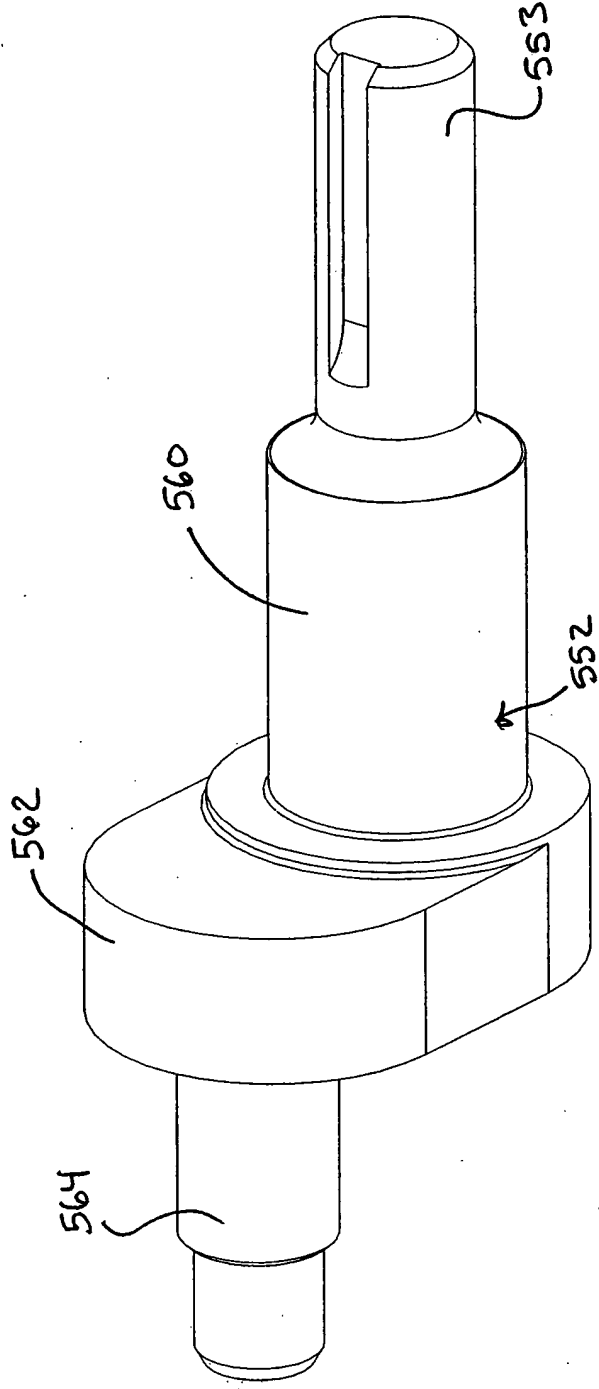
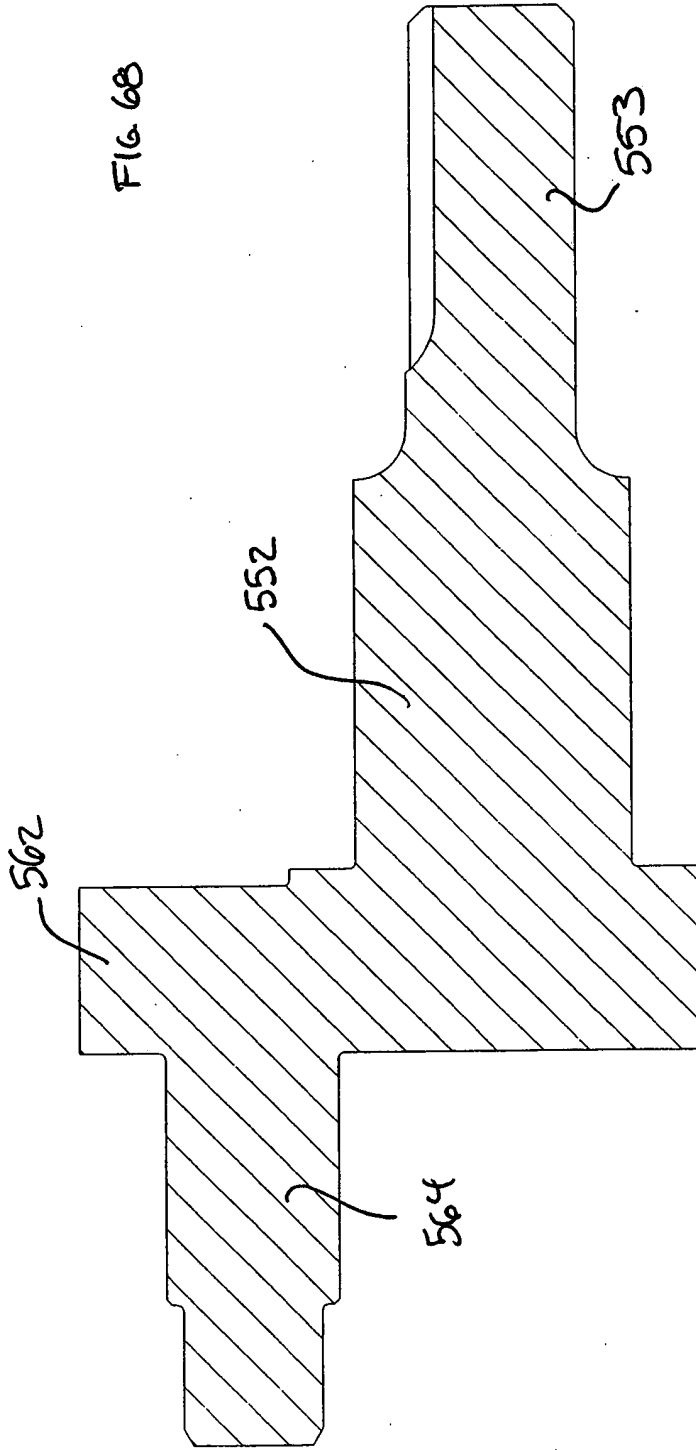


FIG 67

FIG. 6B



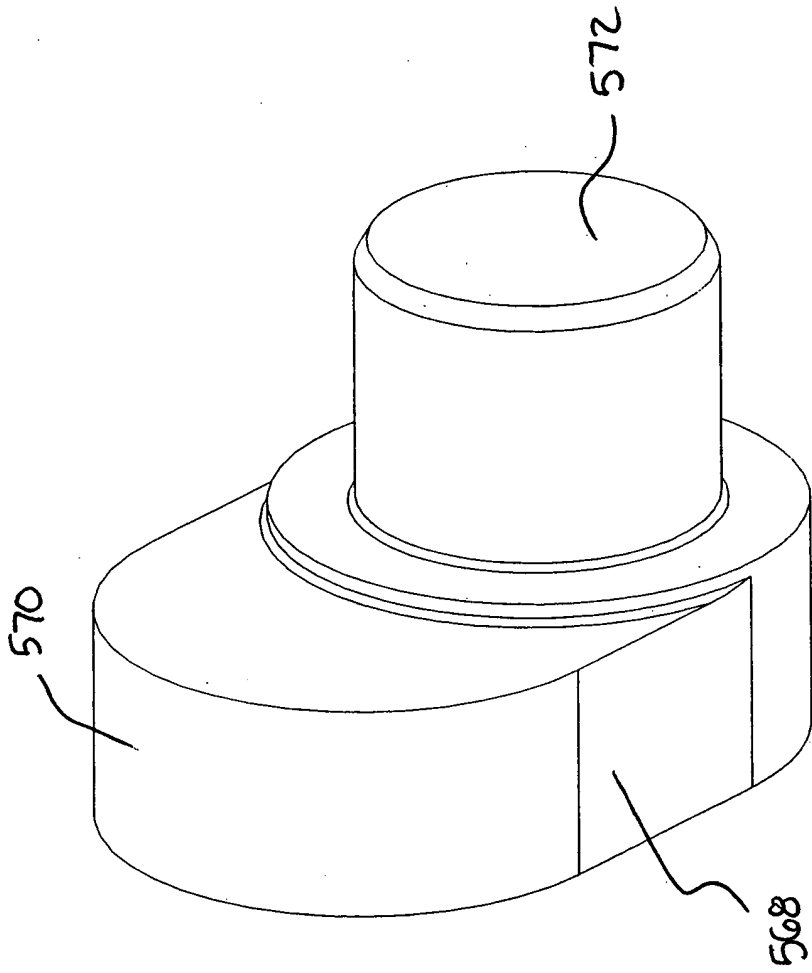


FIG. 69

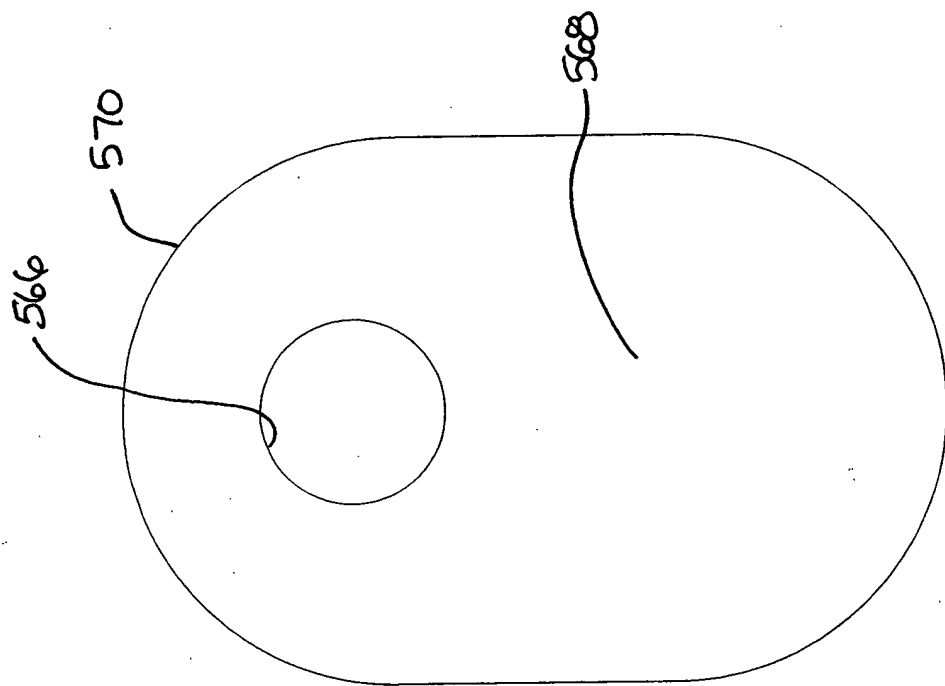


FIG. 70

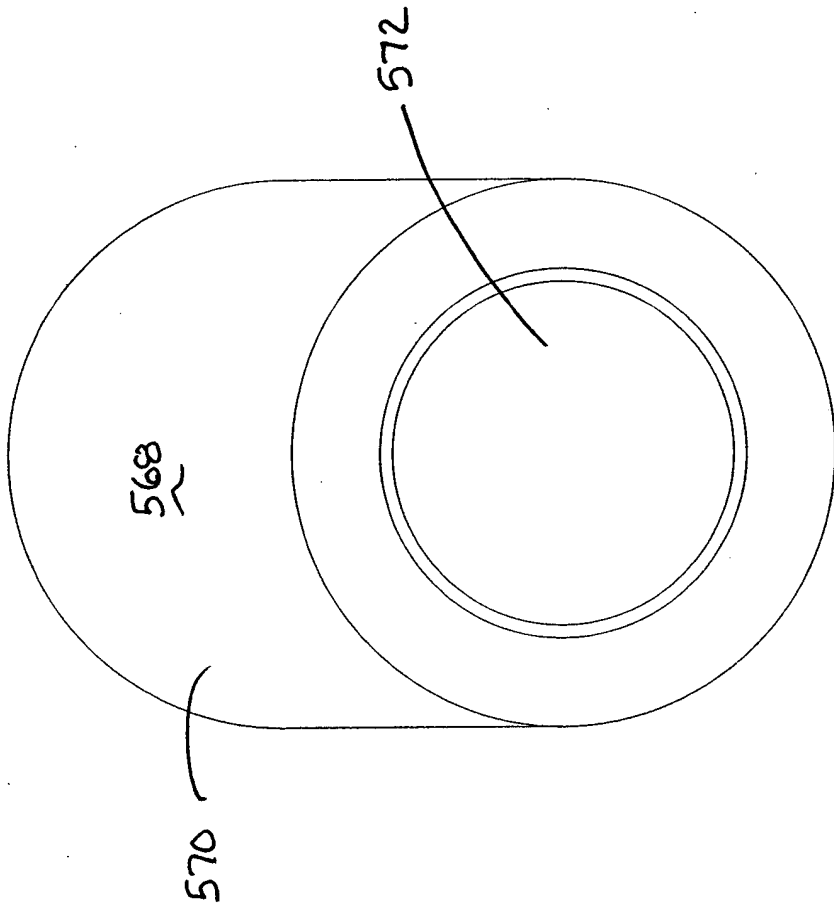


FIG. 71

FIG. 72

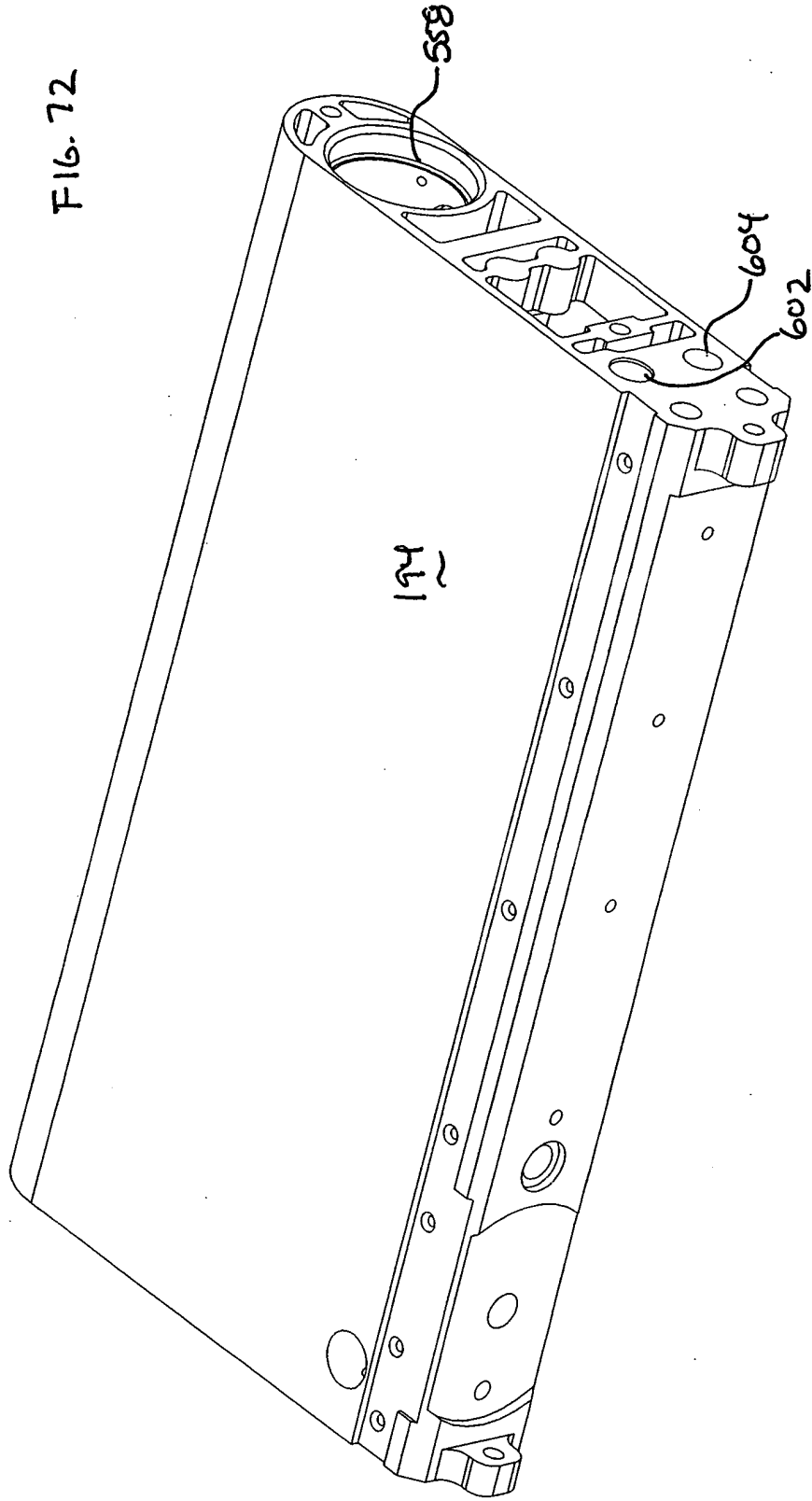
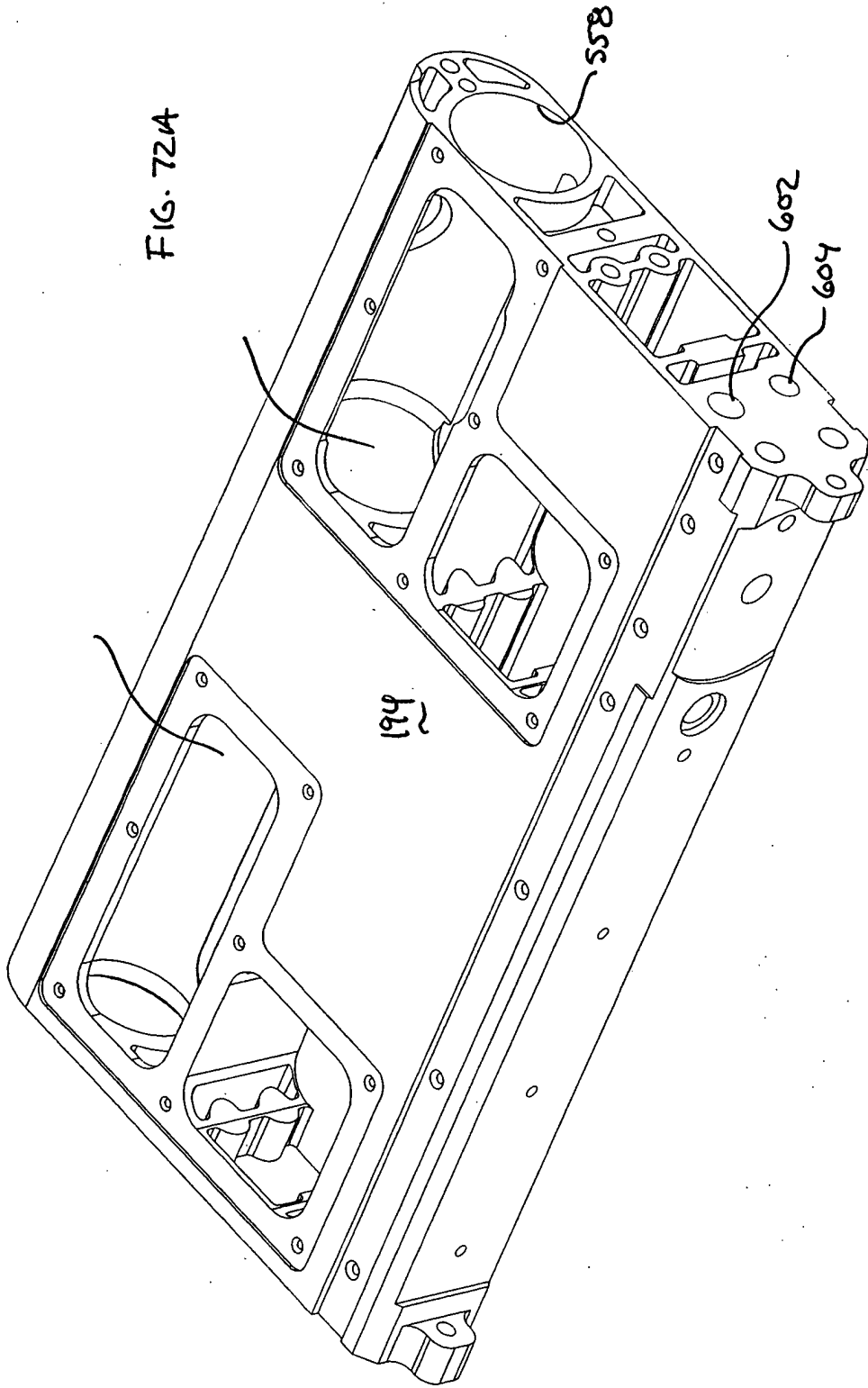


FIG. 72A



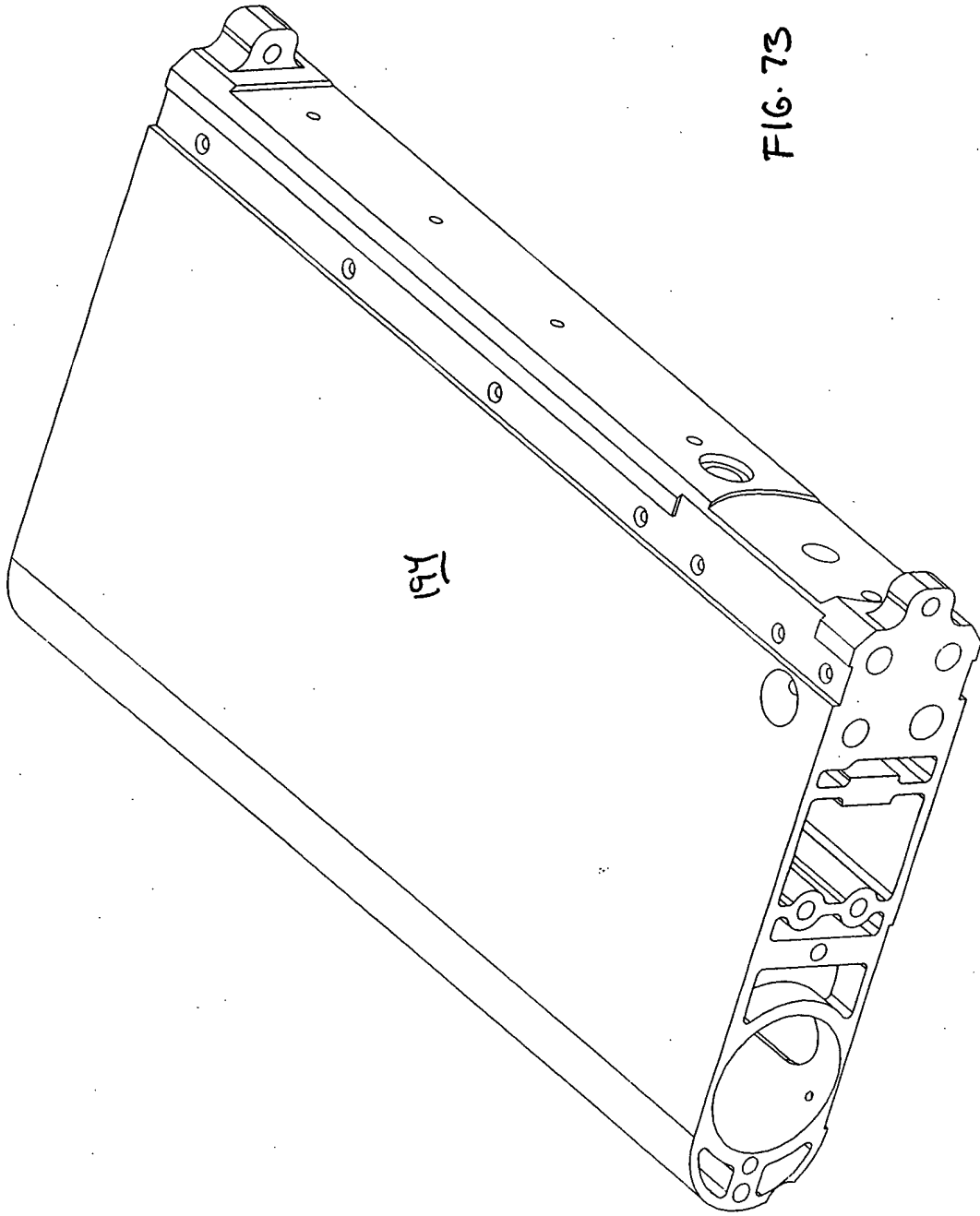


FIG. 73

151

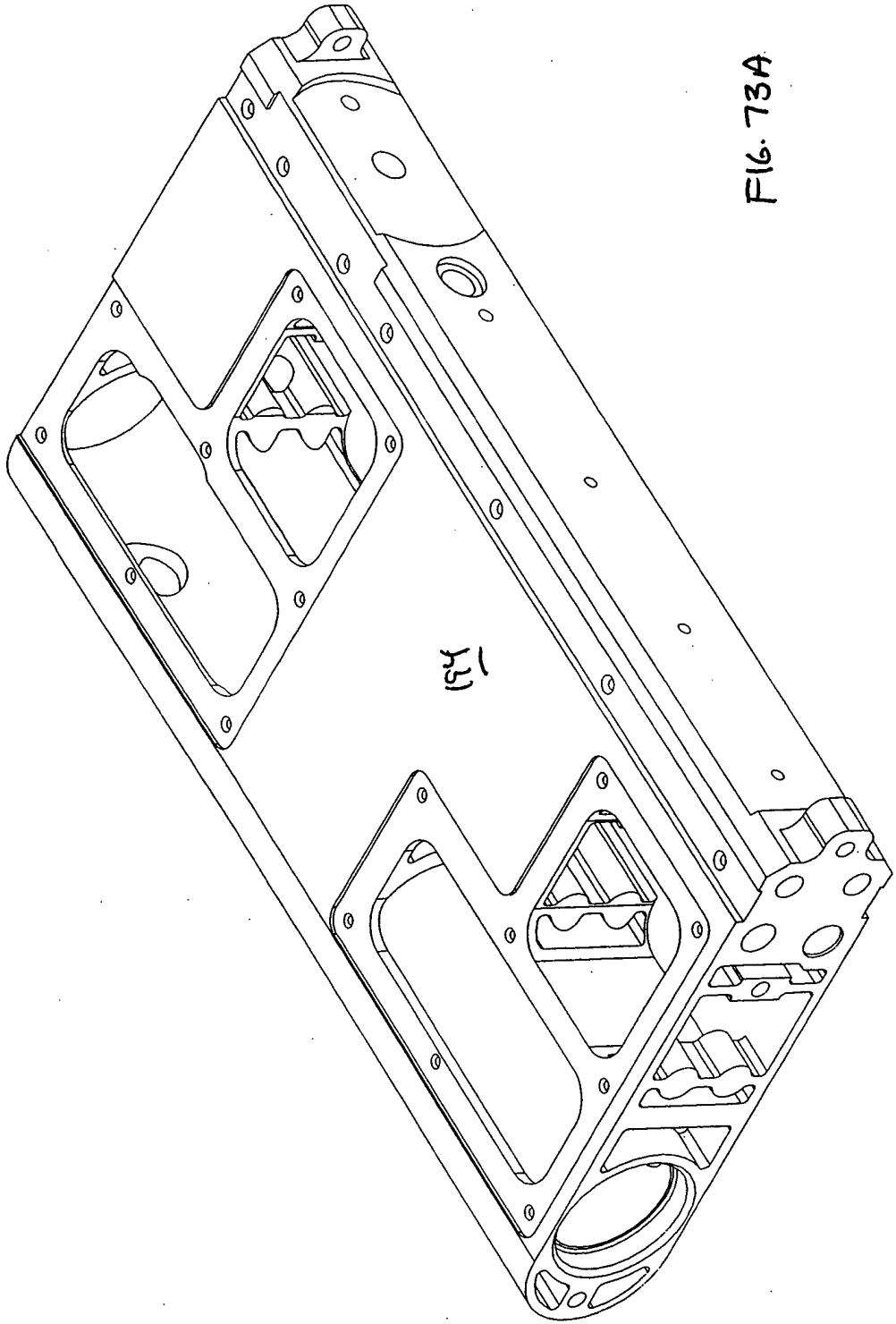


FIG. 73A

194

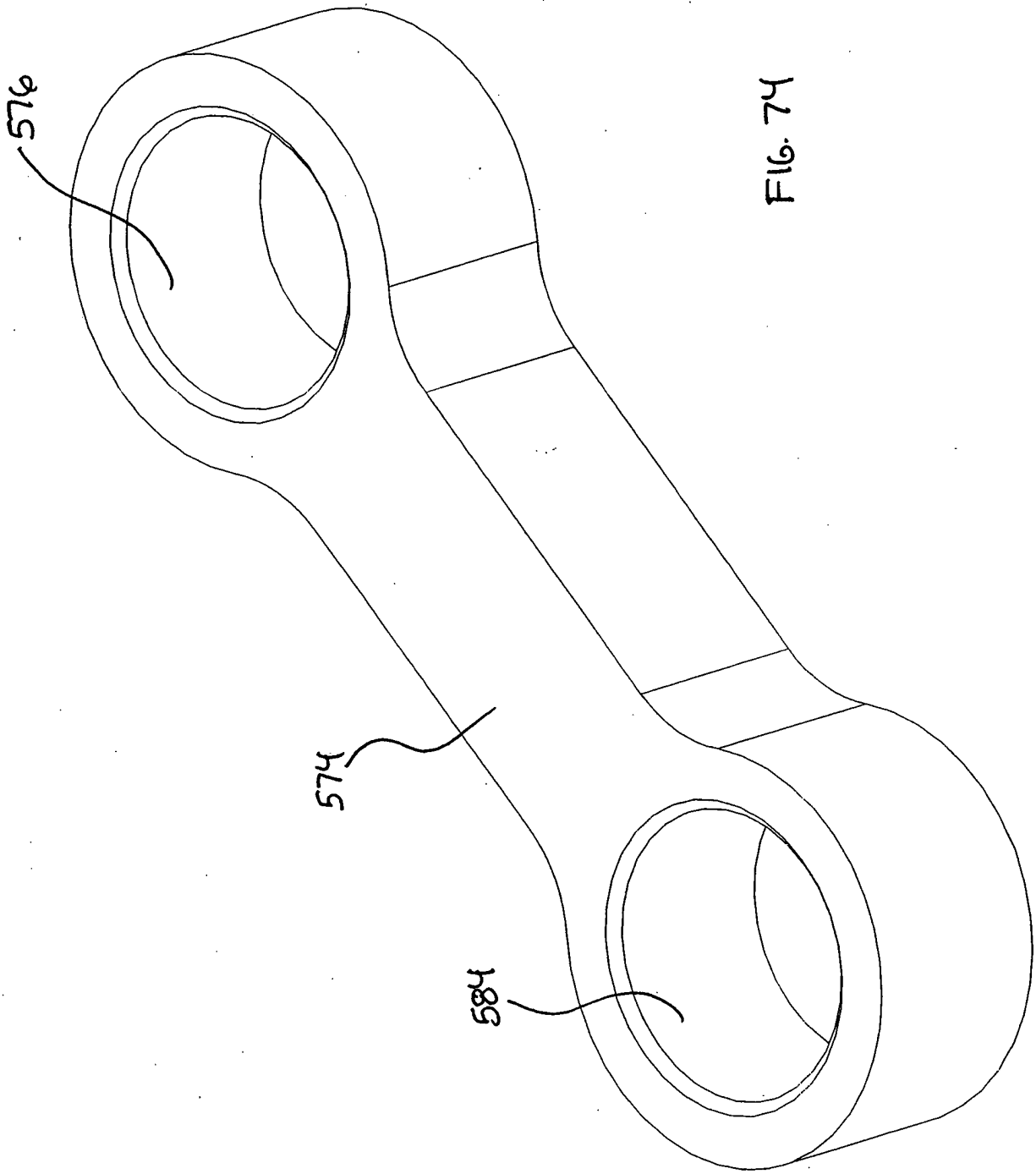
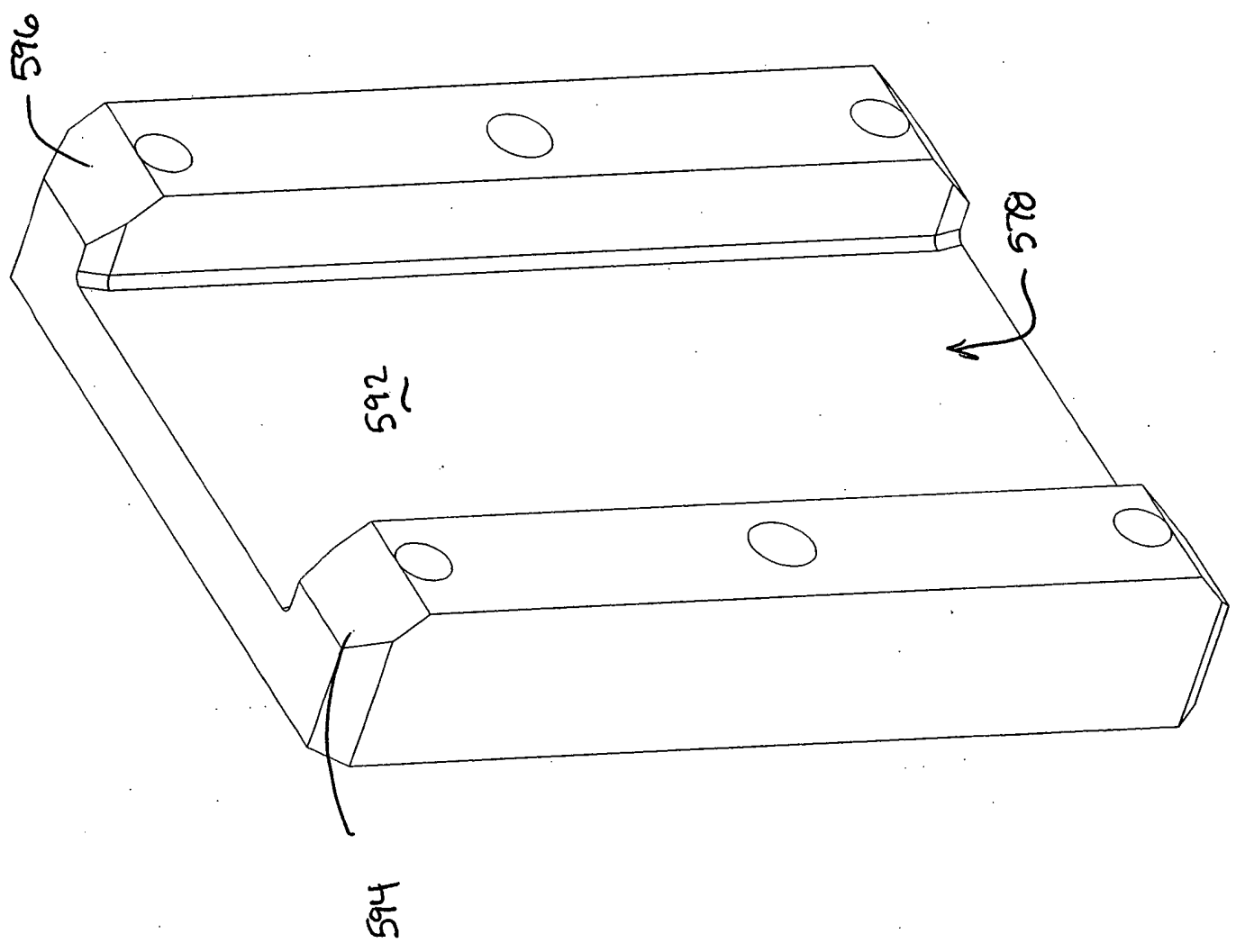


FIG. 74

FIG 75



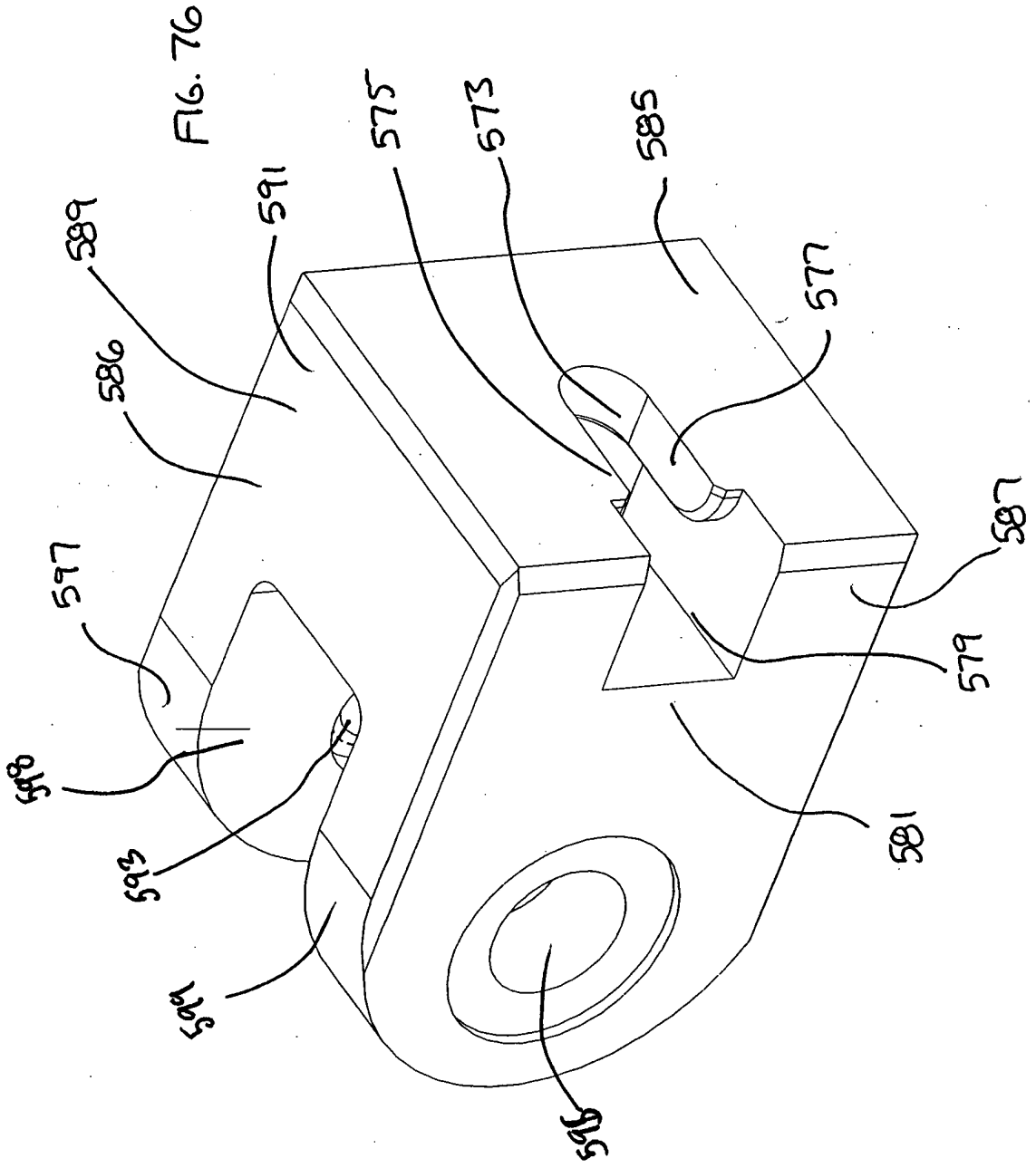


FIG. 77

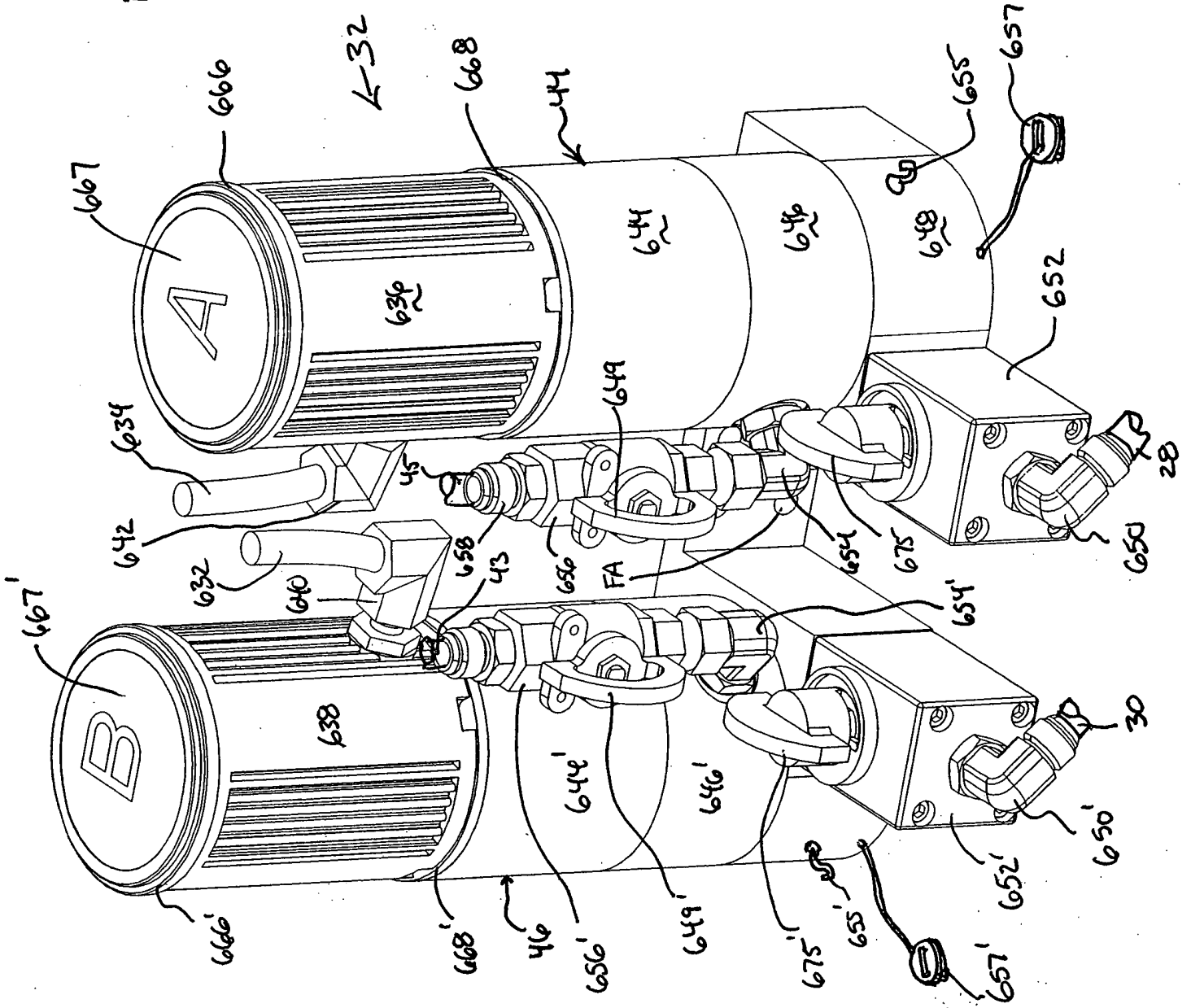


FIG. 77A

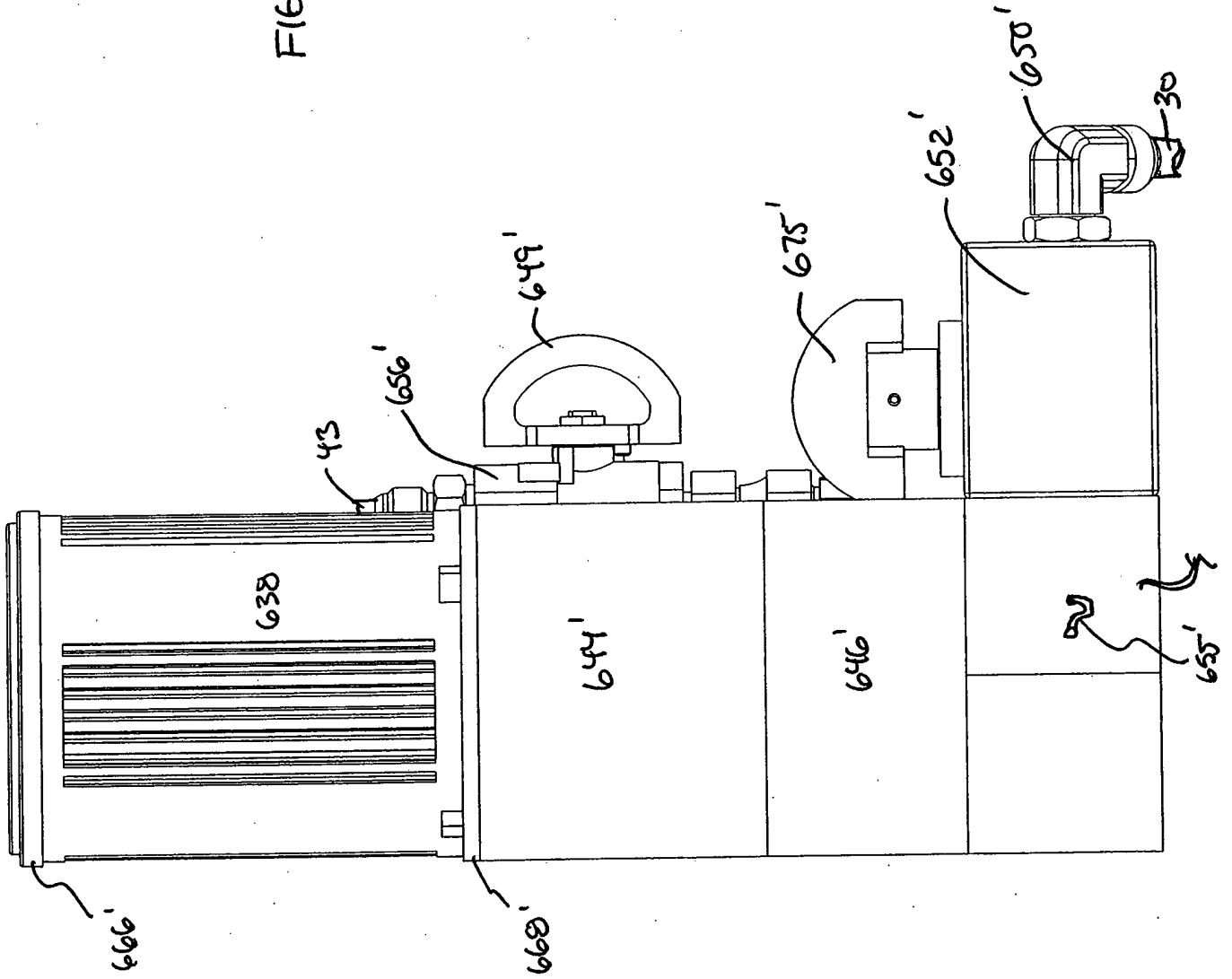


FIG. 79

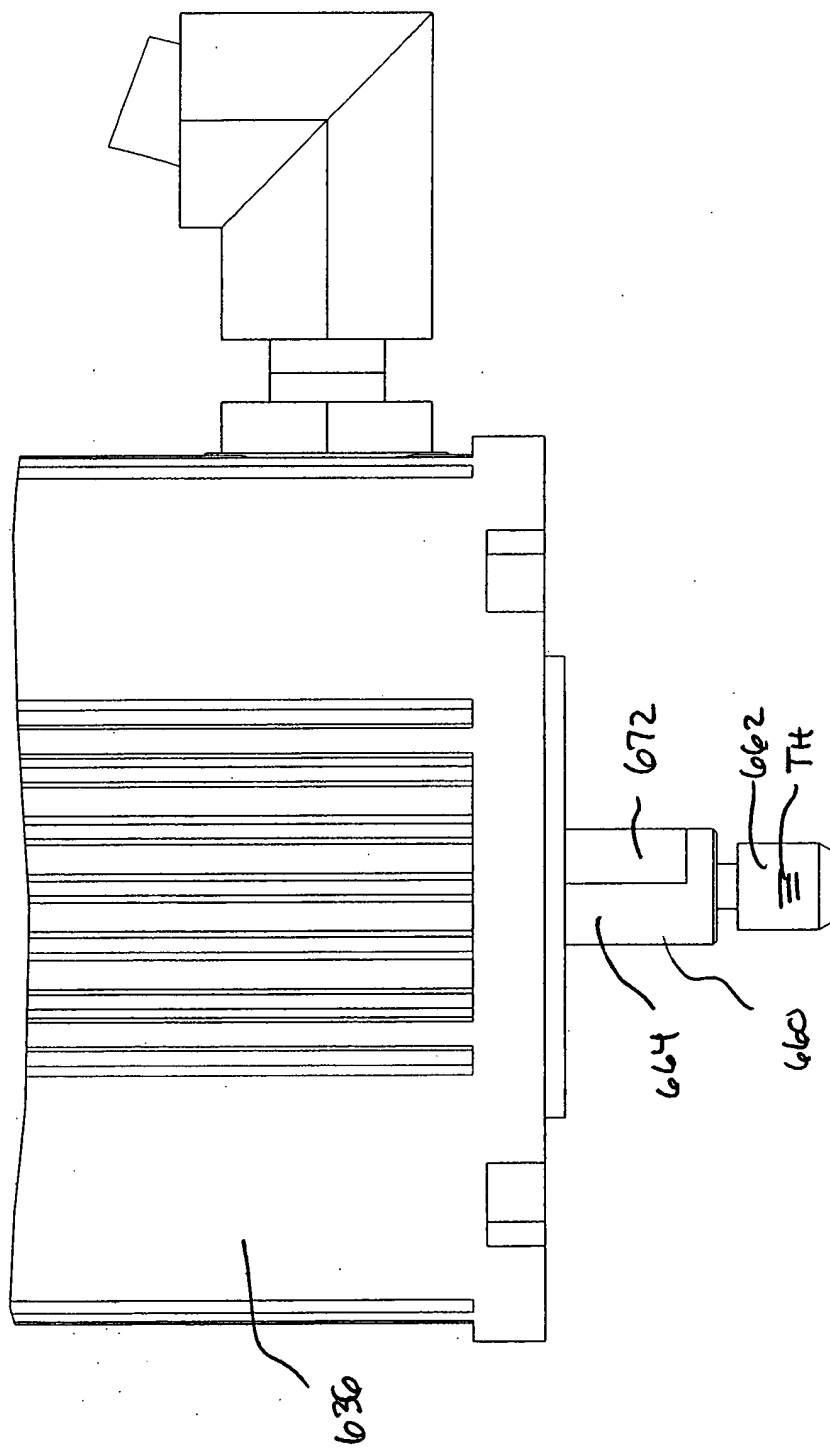
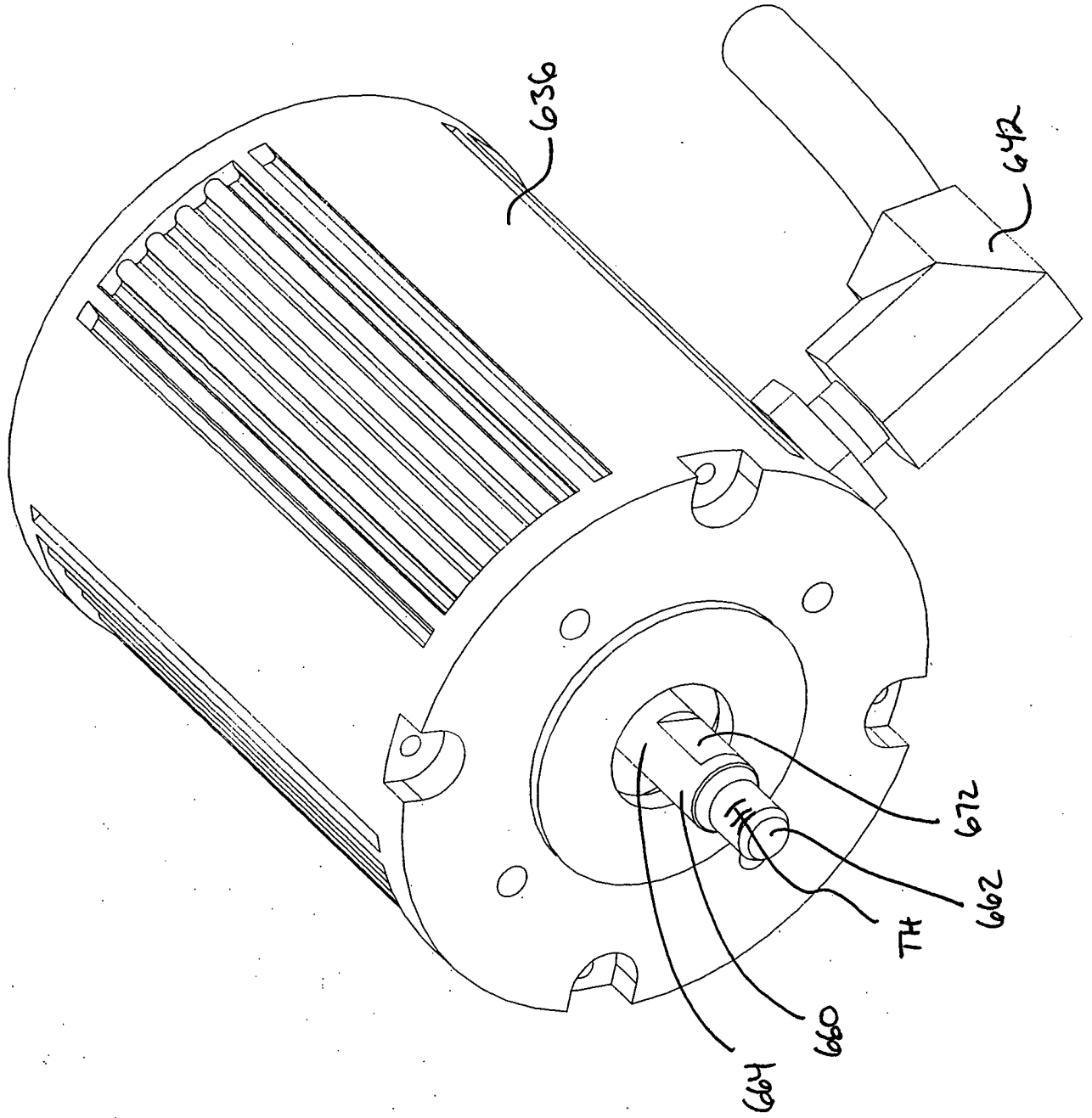


FIG. 80



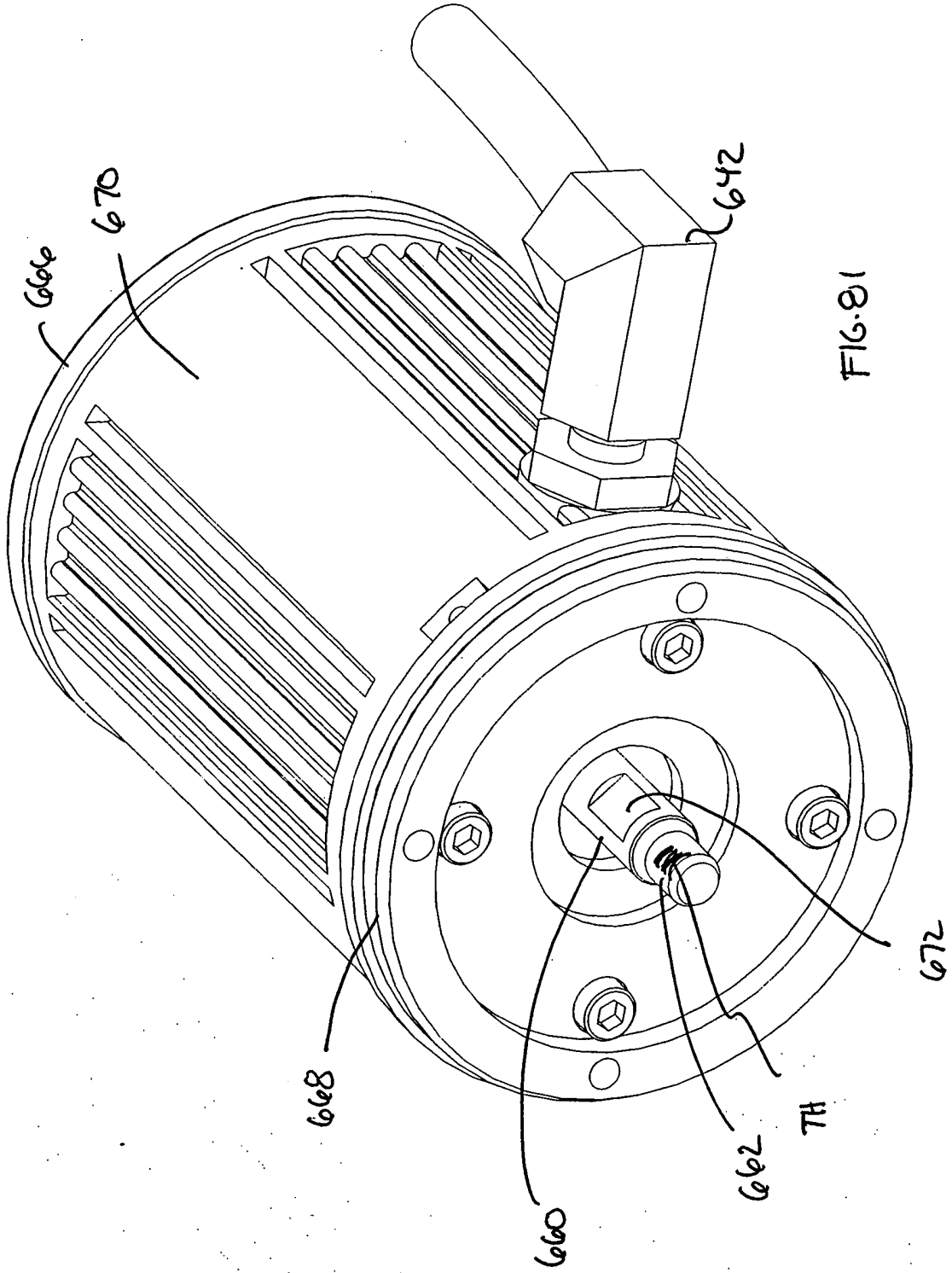


FIG. 81

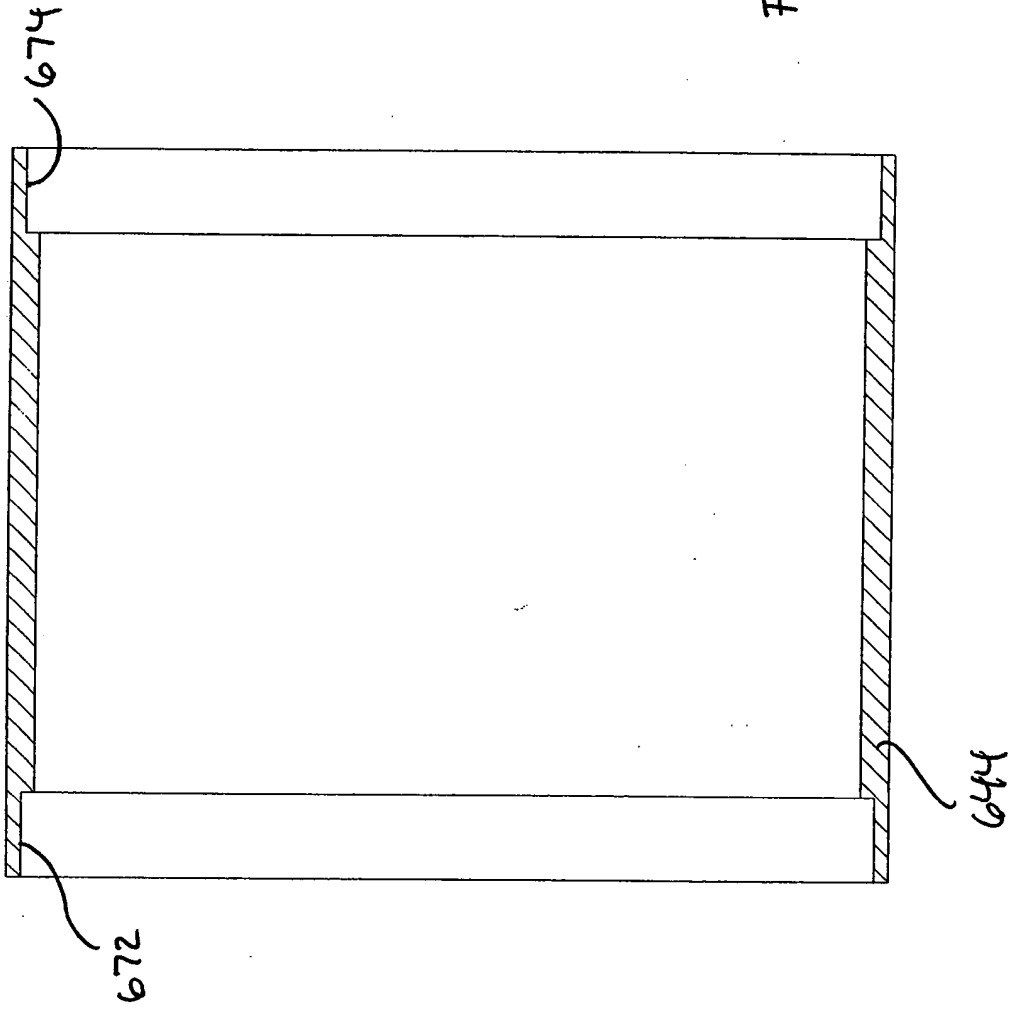
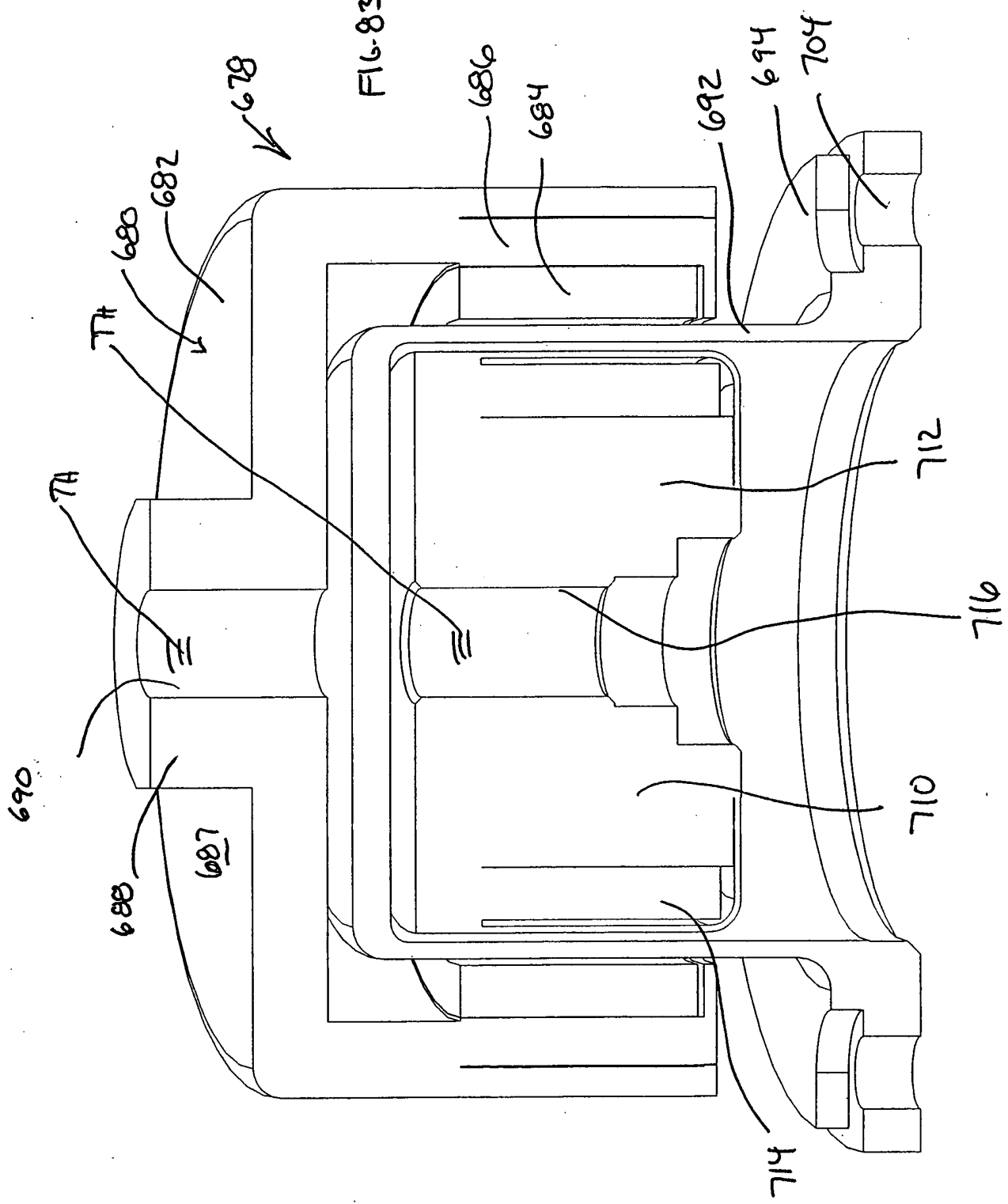


FIG. 82

FIG. 83



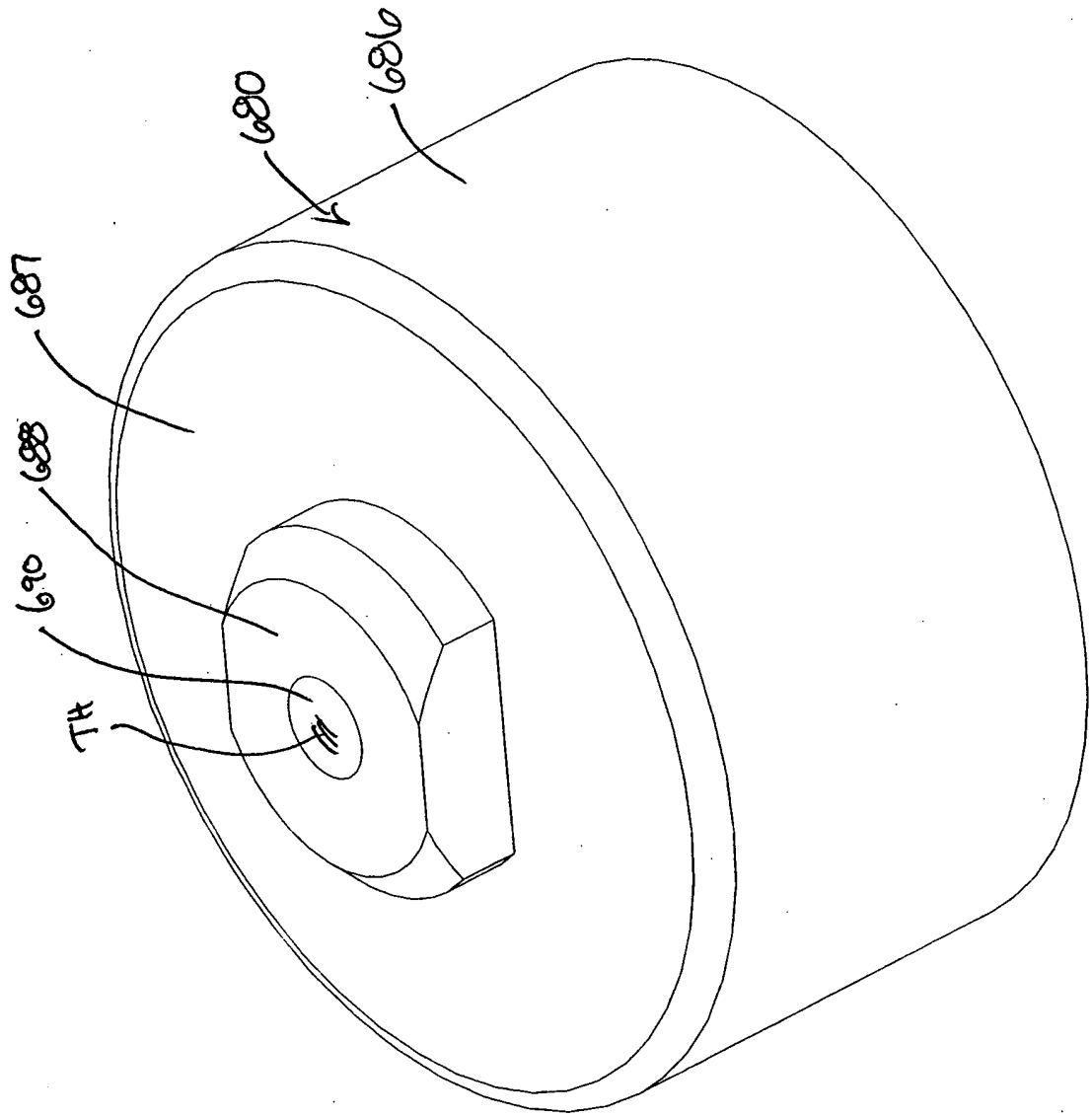


FIG. 84

FIG. 85

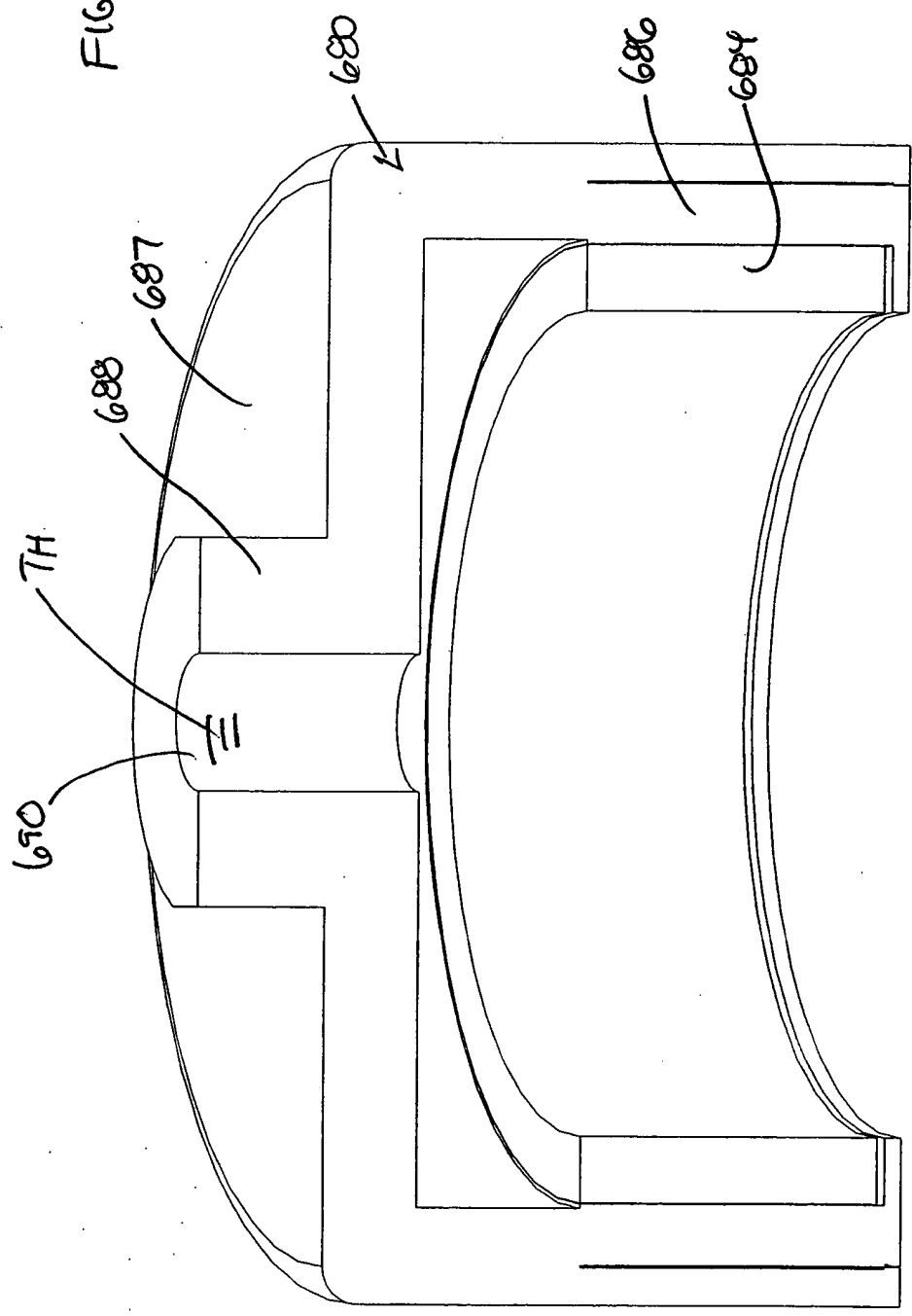


FIG. 86

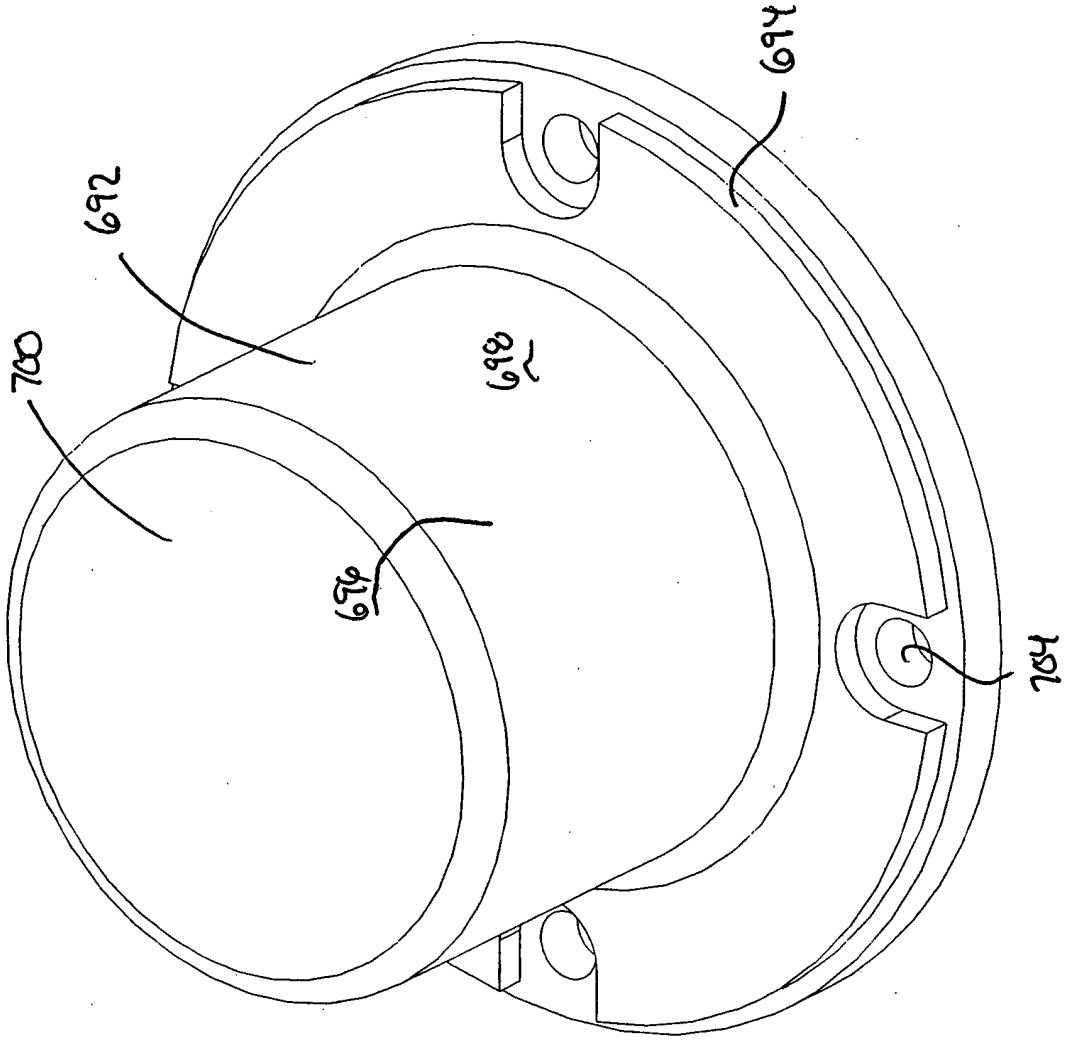


FIG. 87

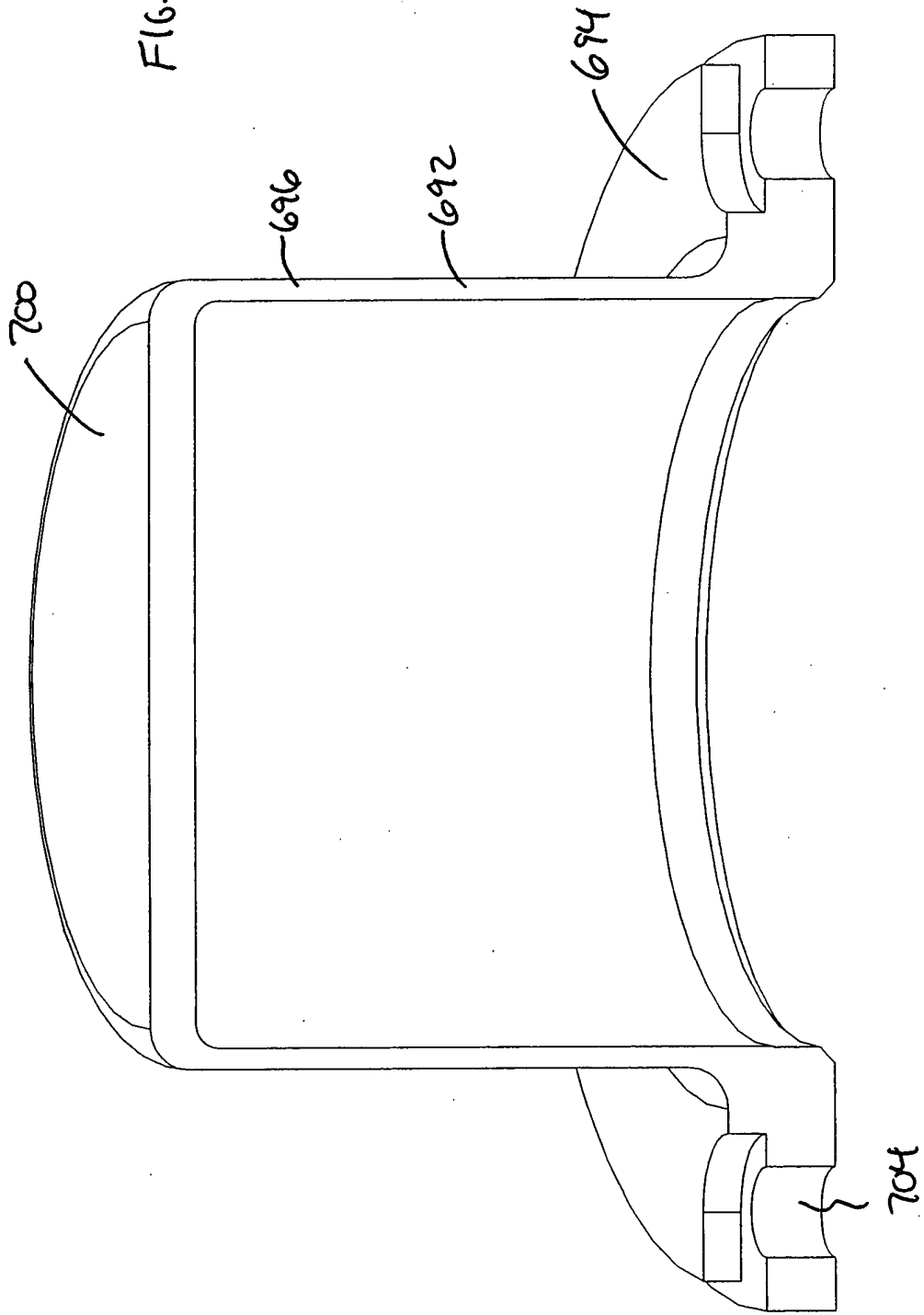


FIG. 88

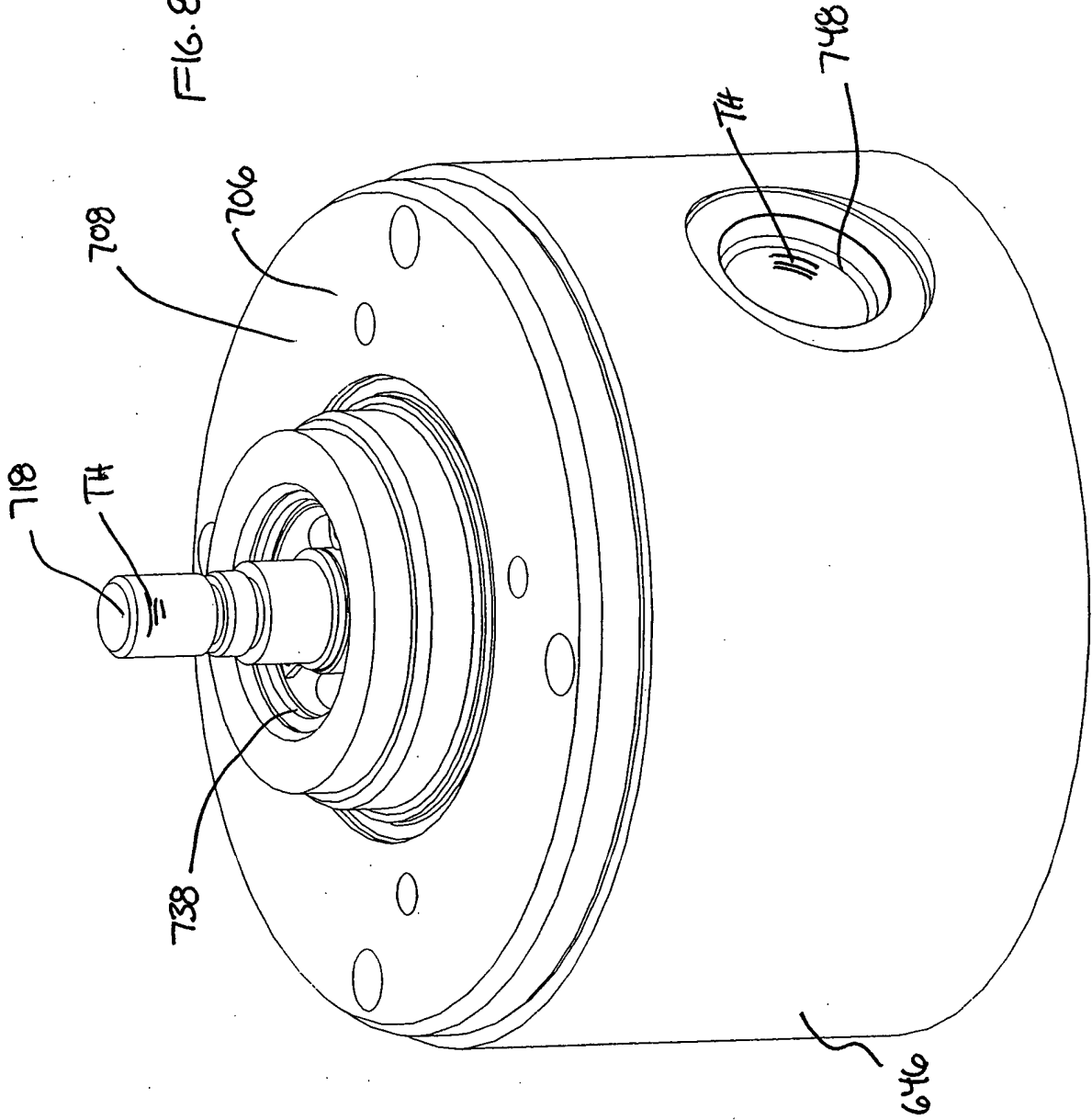


FIG. 89A

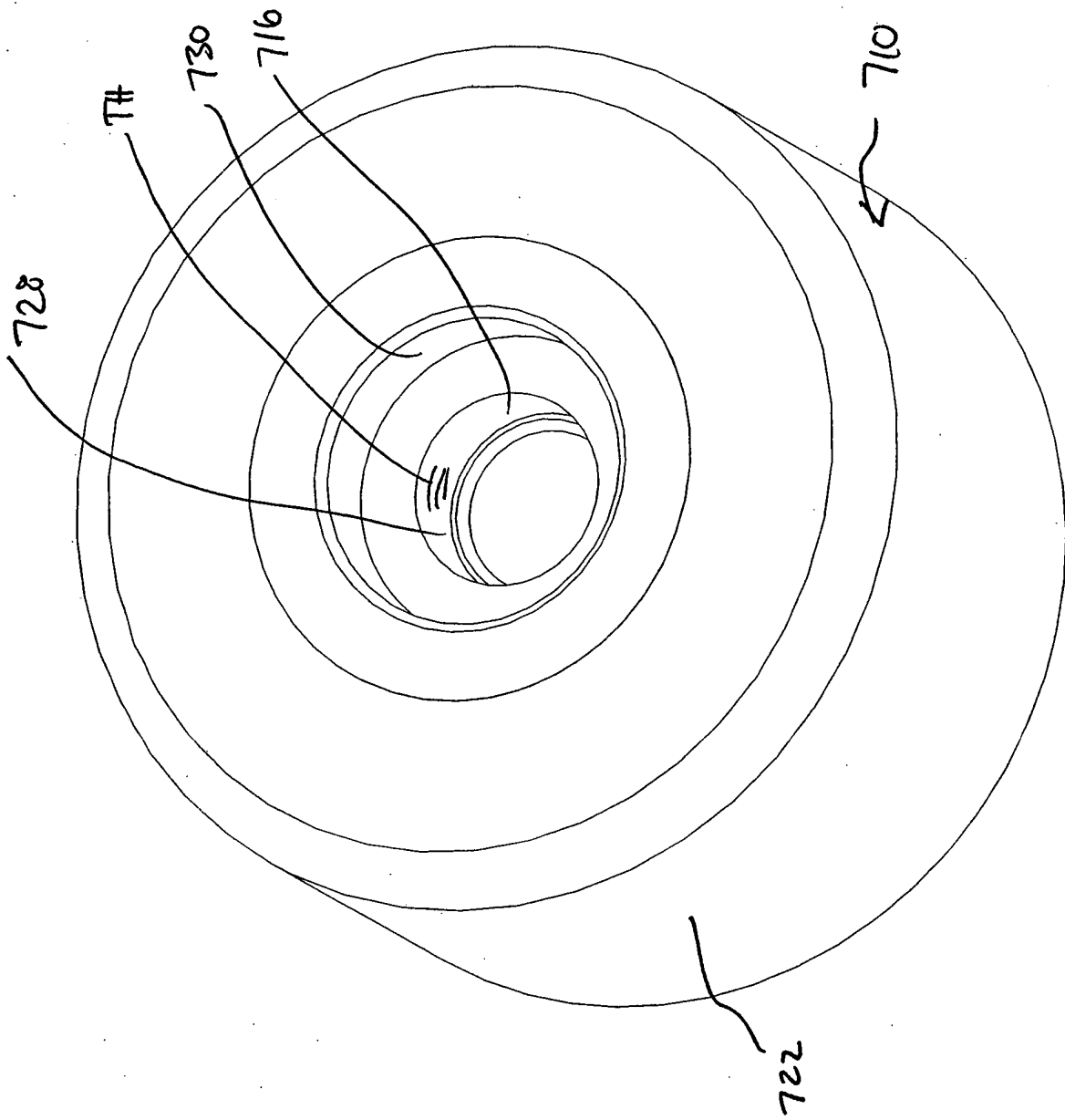
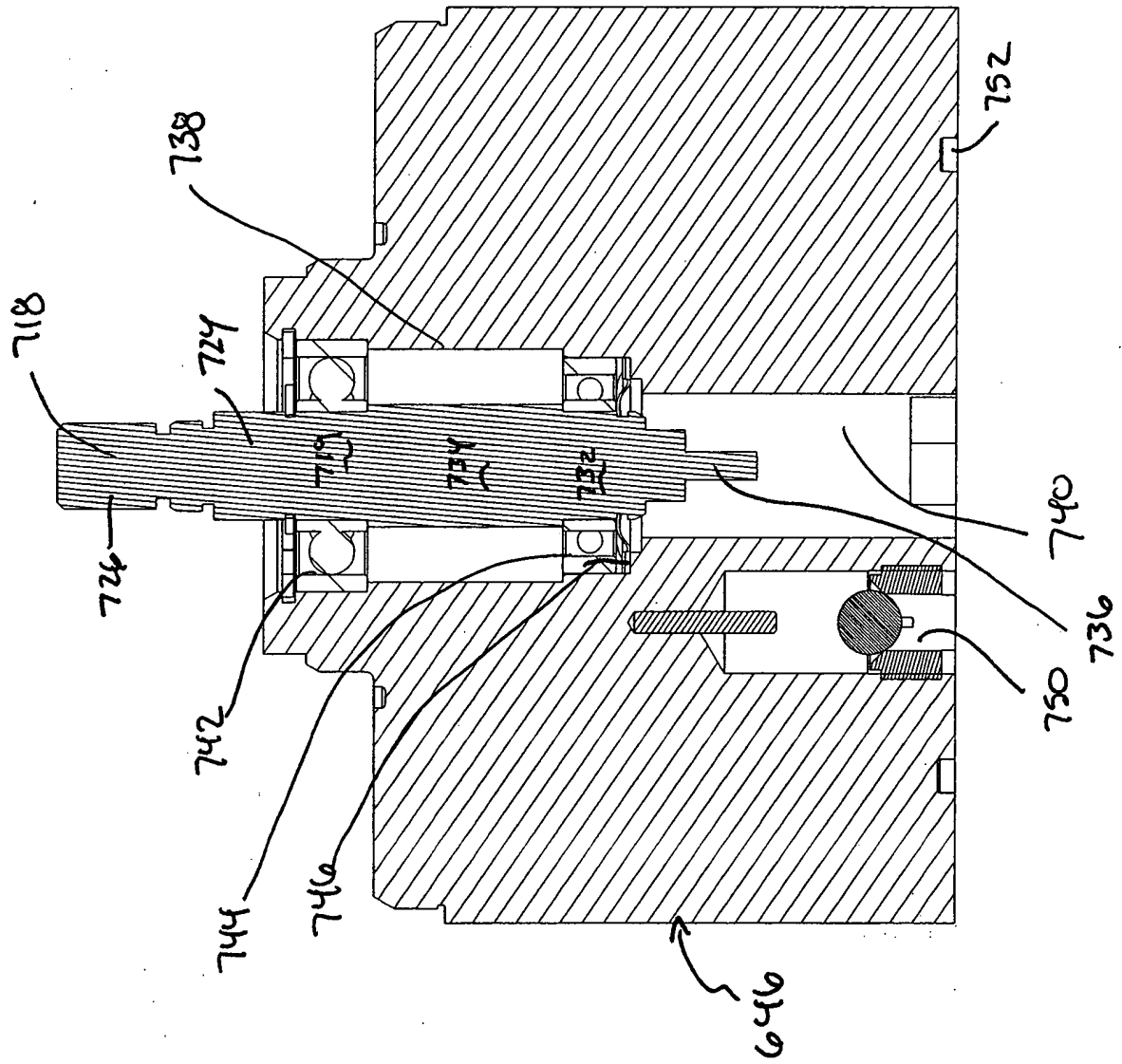


FIG. 90



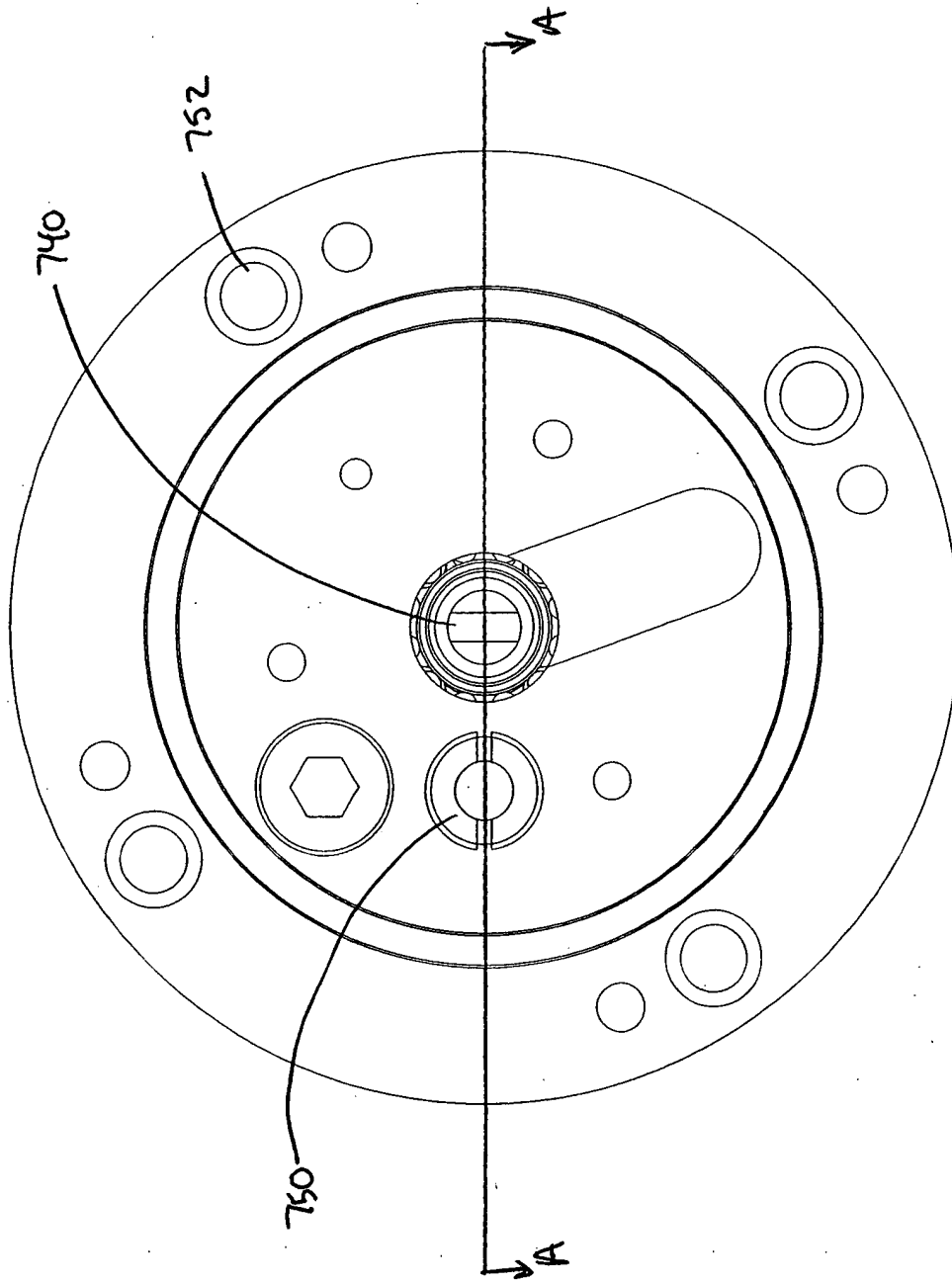
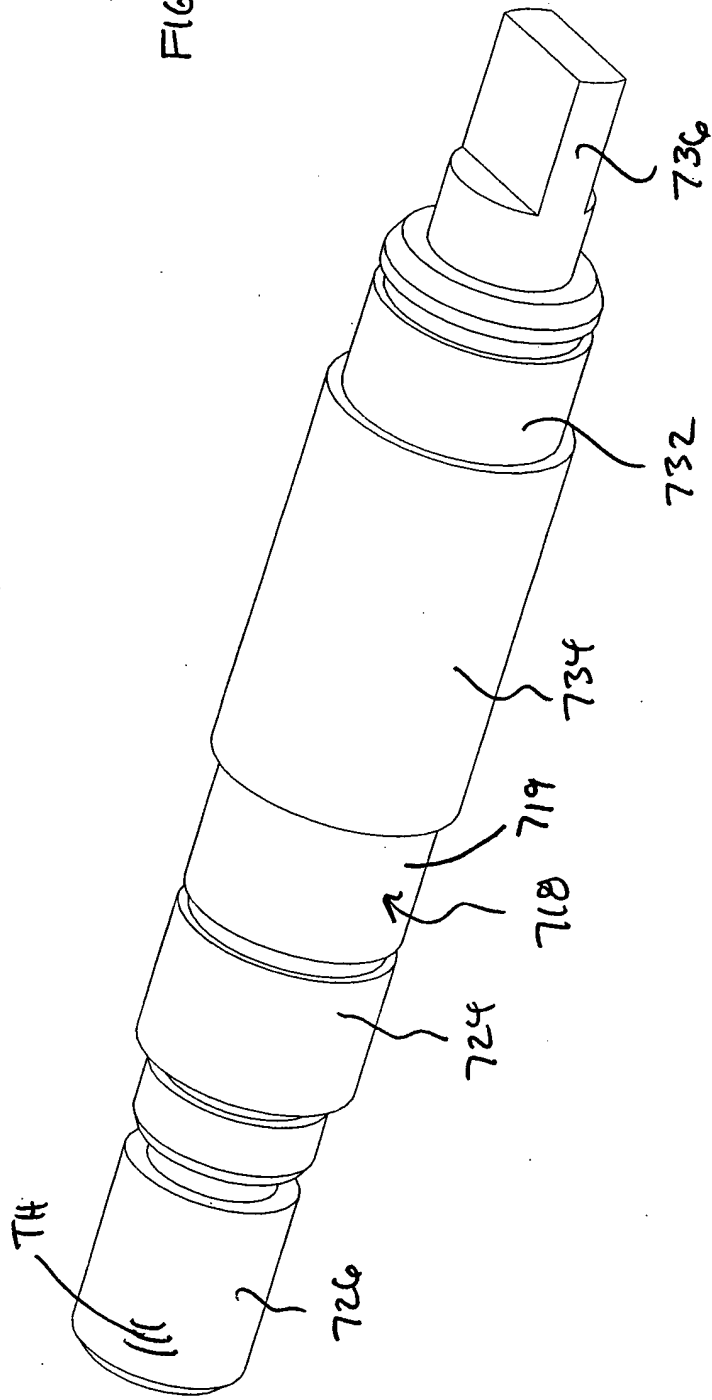


FIG. 91

FIG. 92



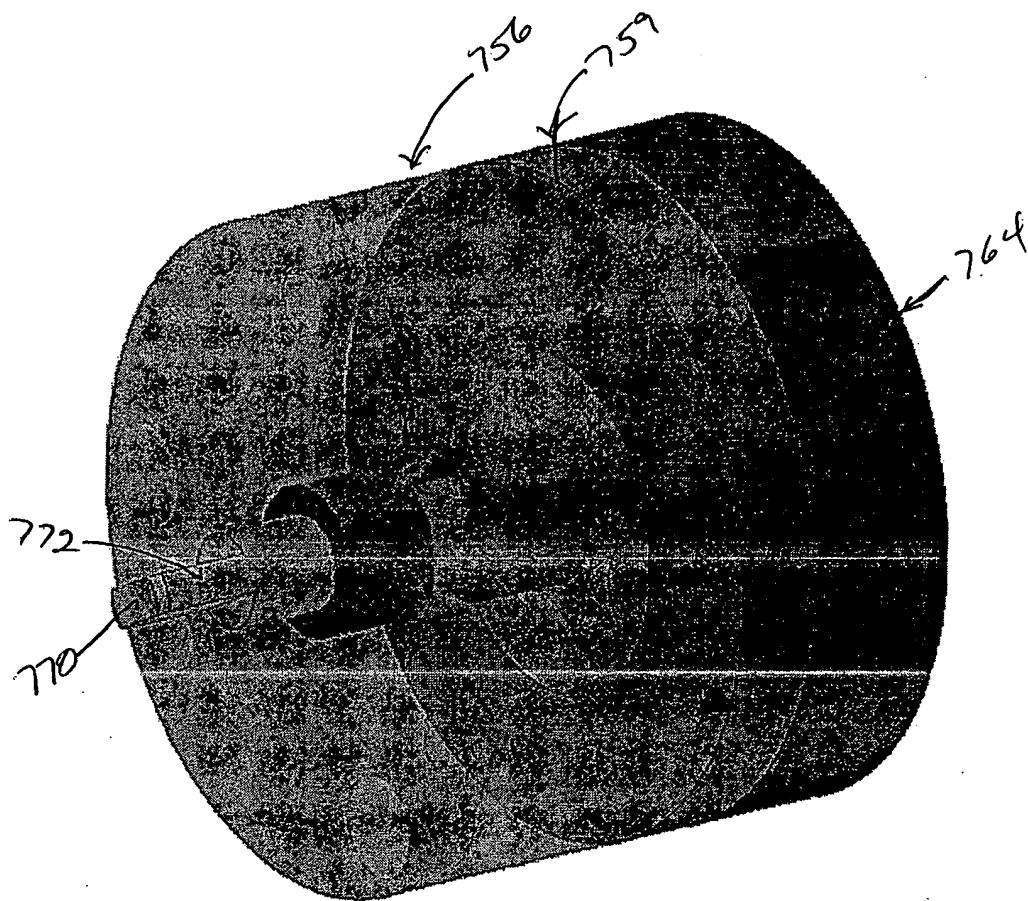
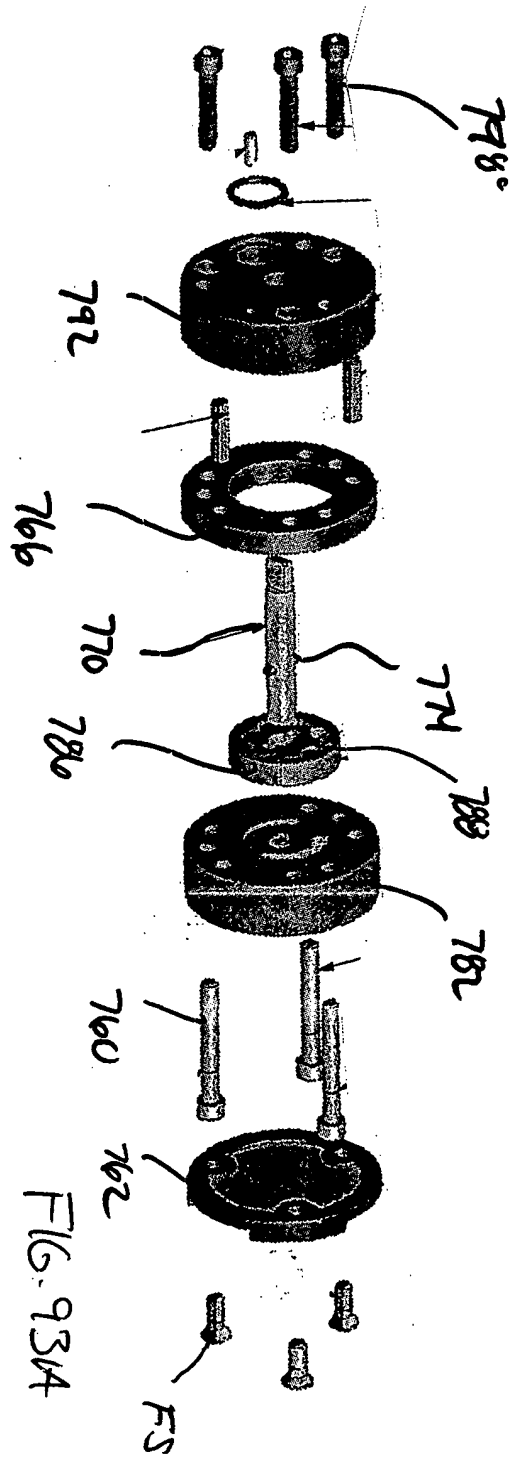


FIG. 93



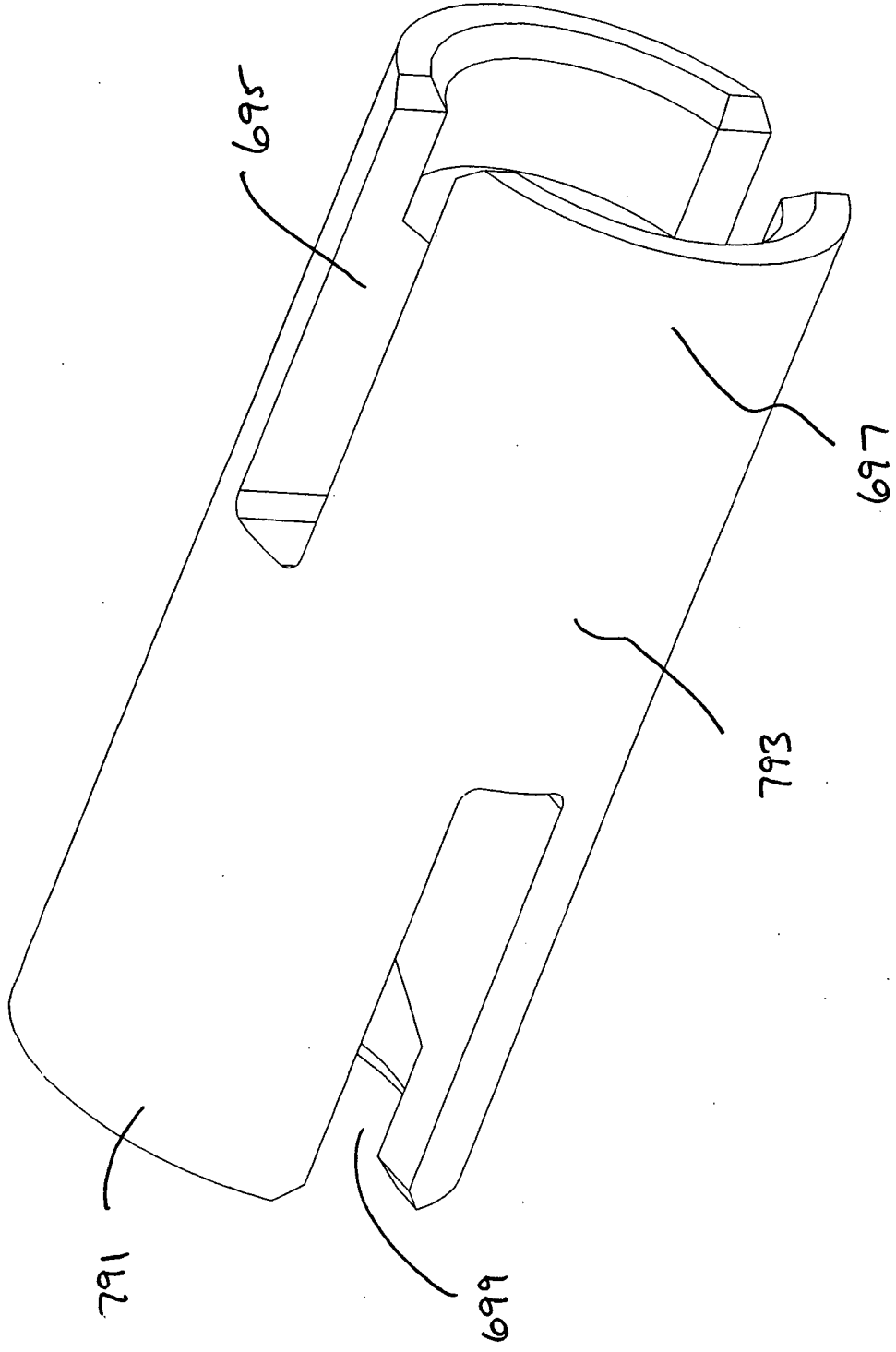
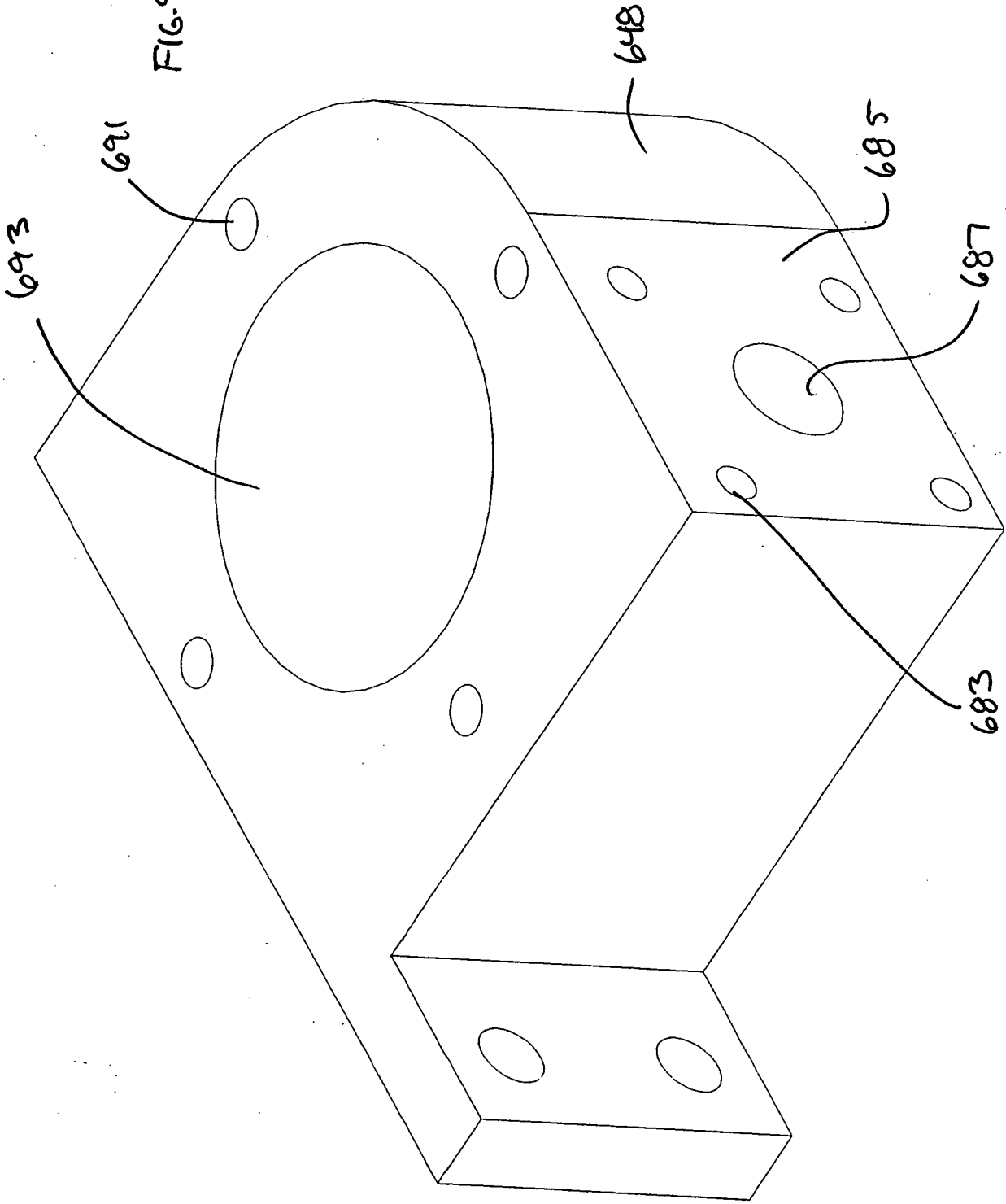


FIG. 98

FIG. 99



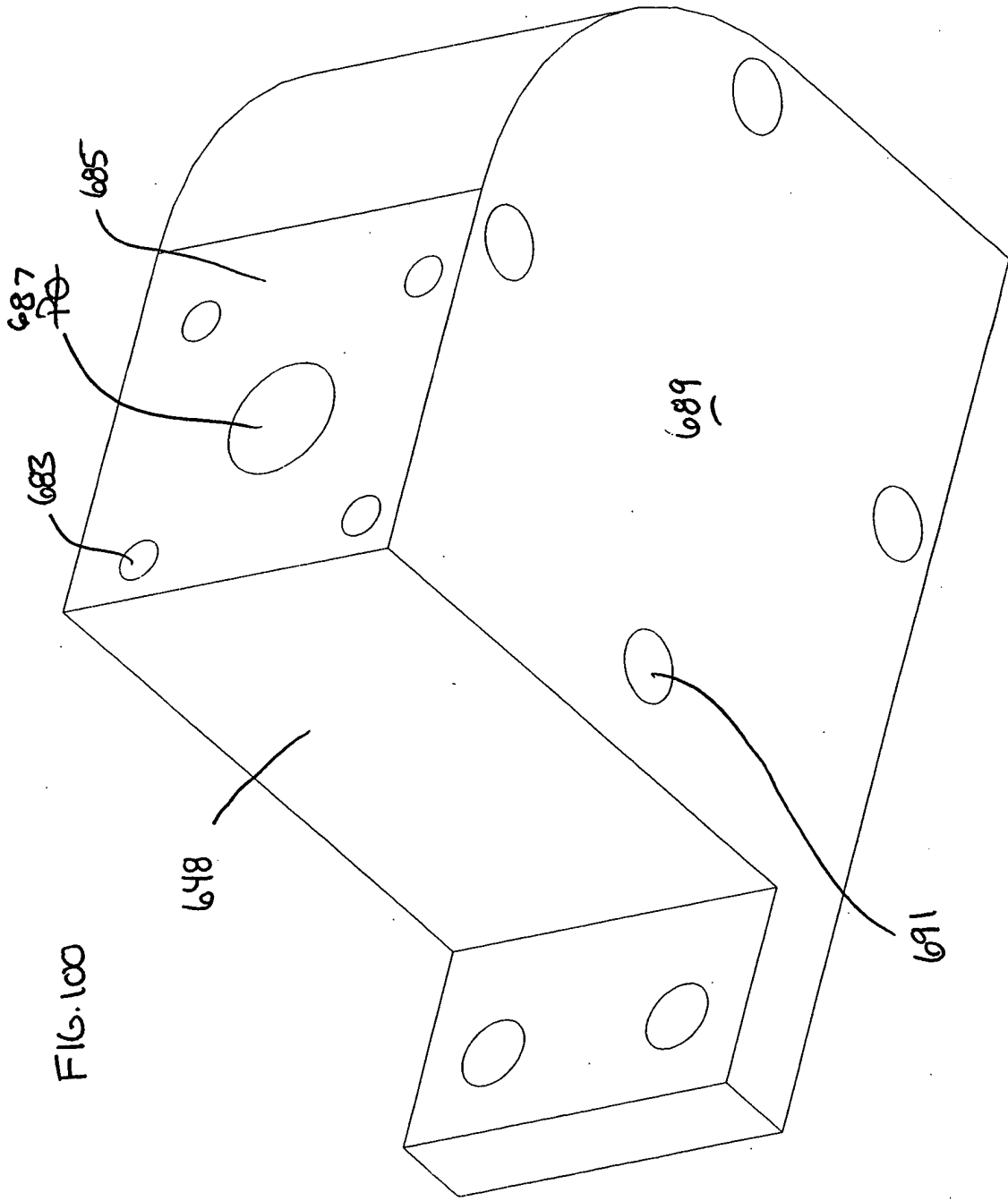
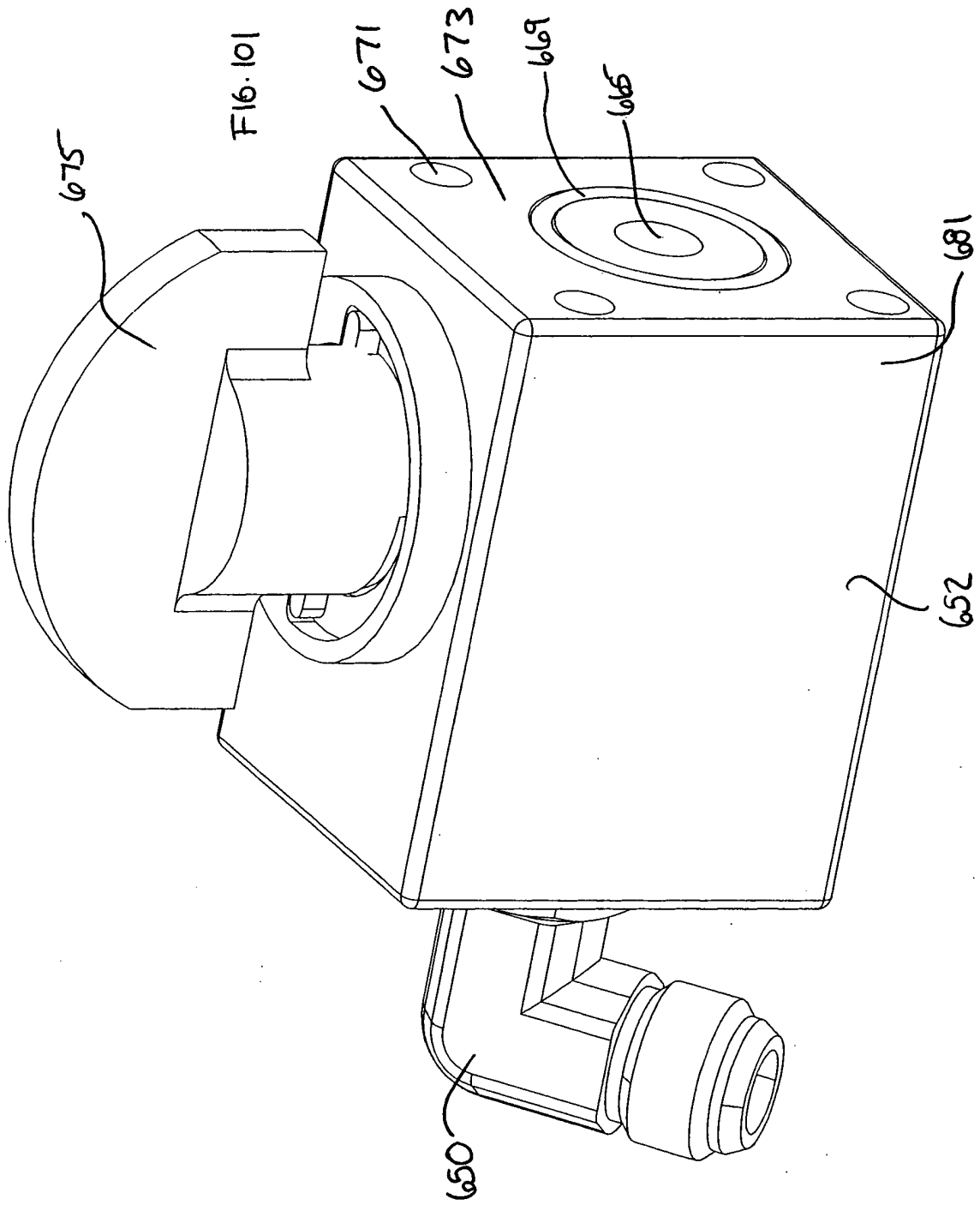


FIG. 100



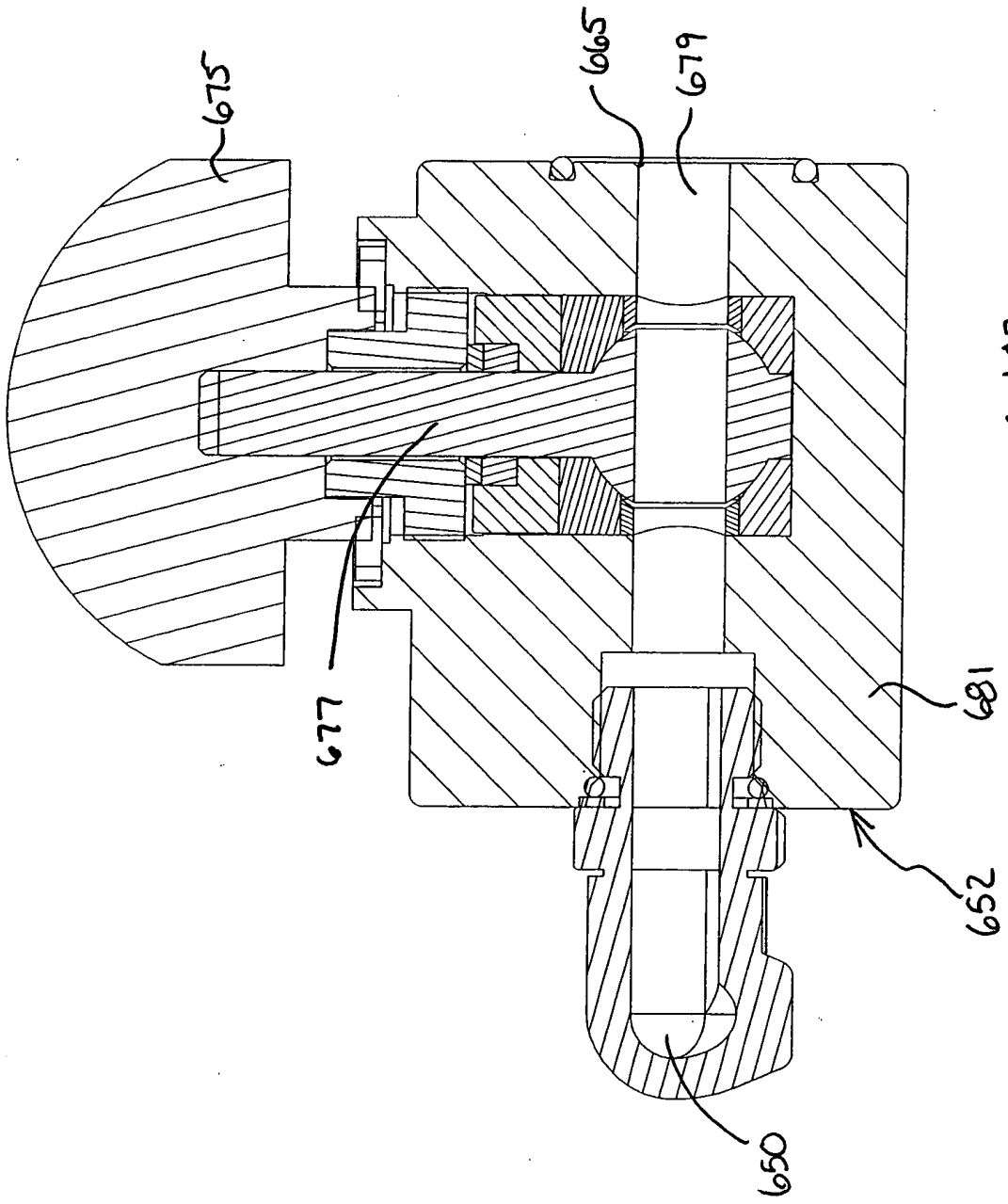


FIG. 102

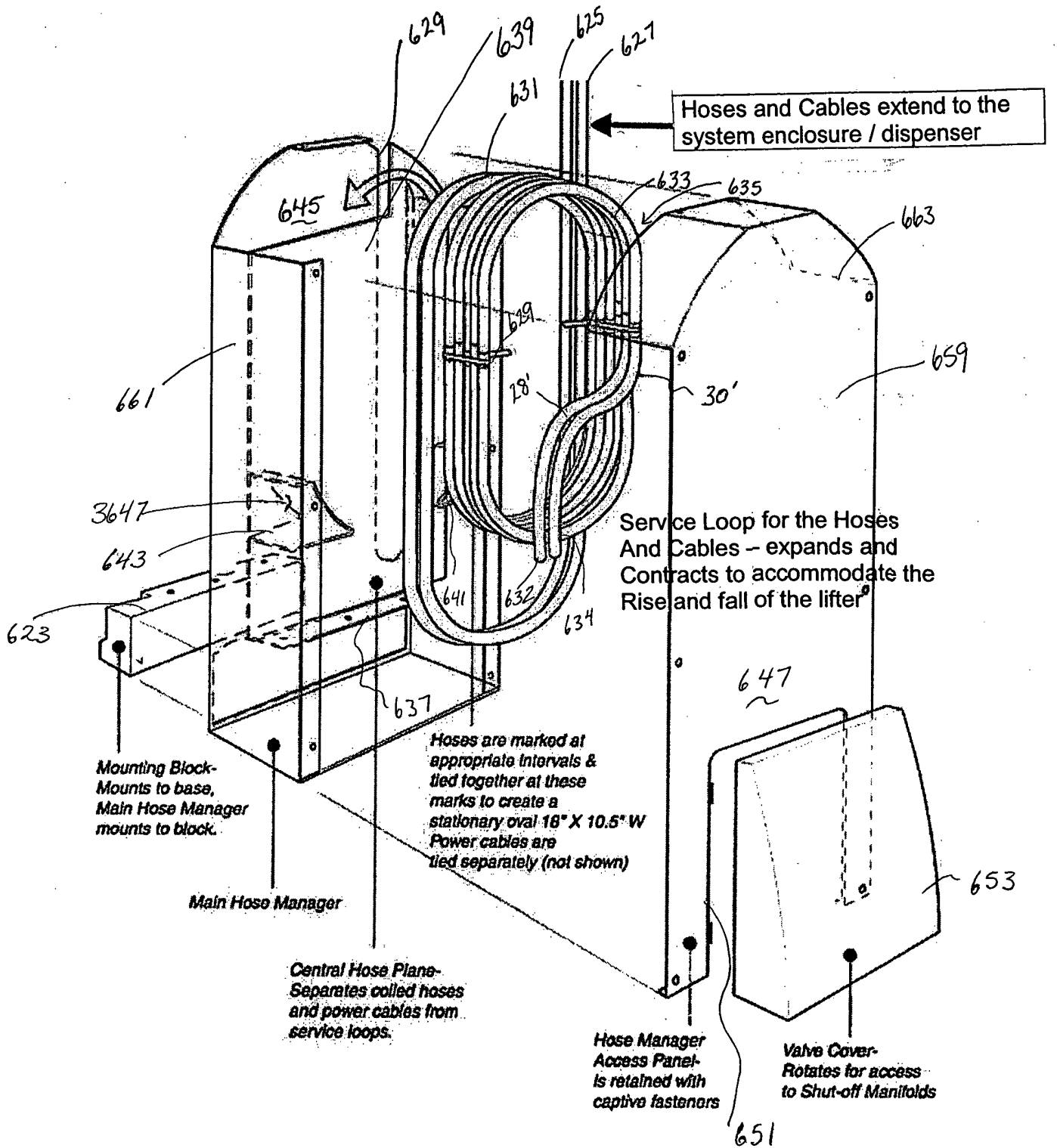


FIG 103

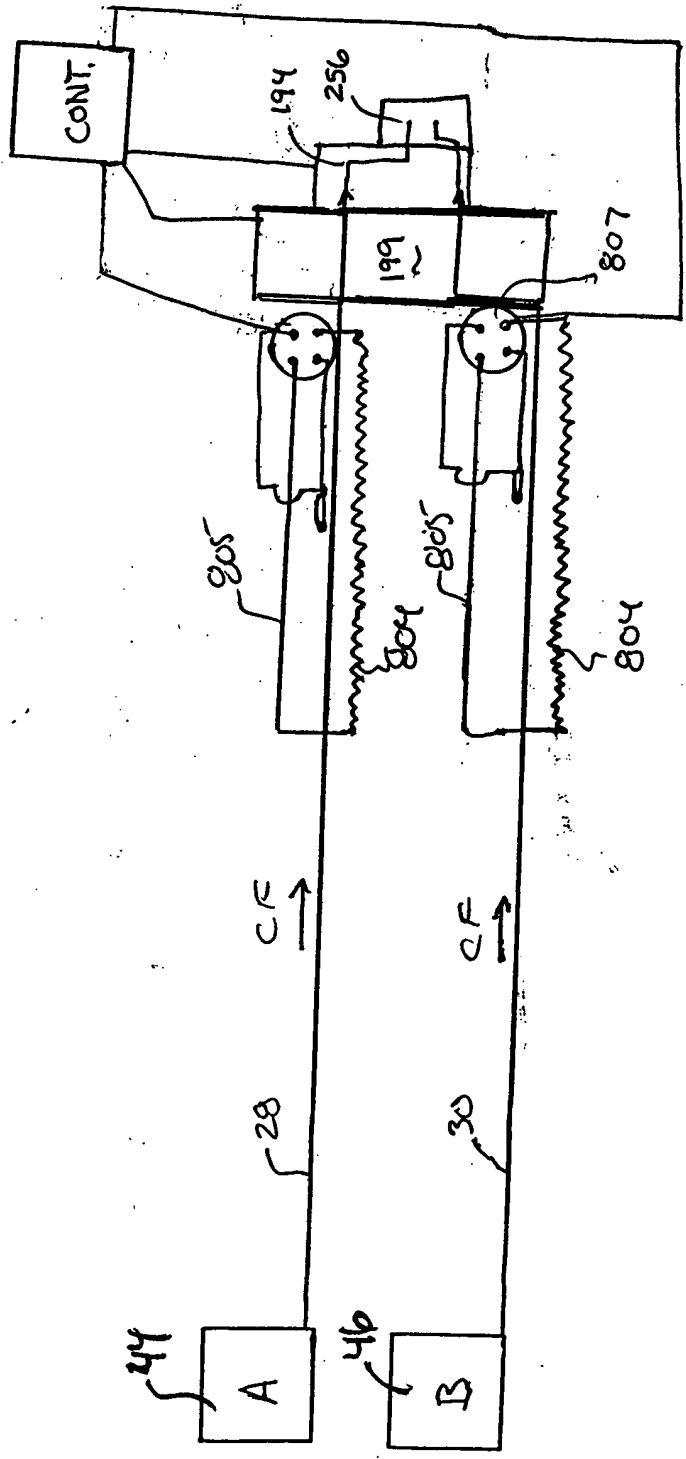


FIG. 104

FIG. 10S

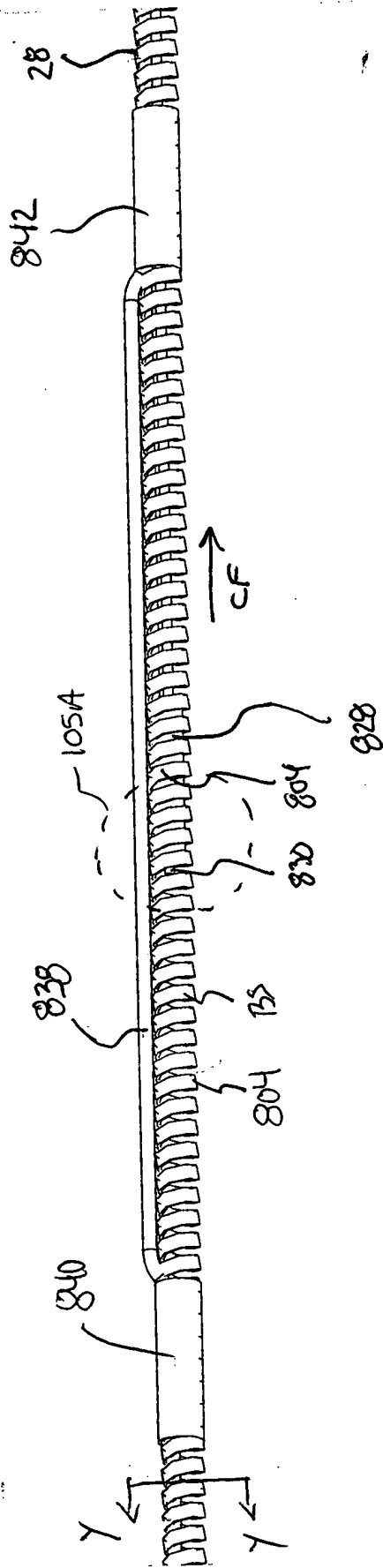


FIG. 105A

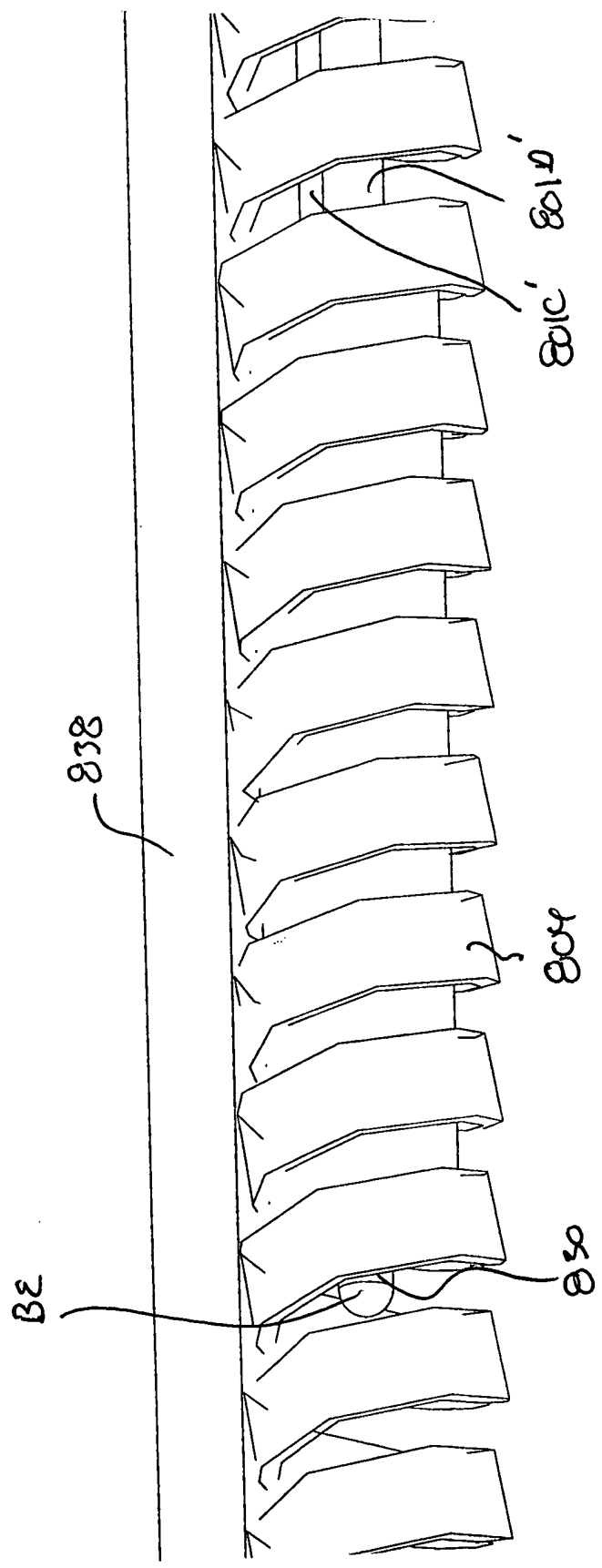


FIG. 106

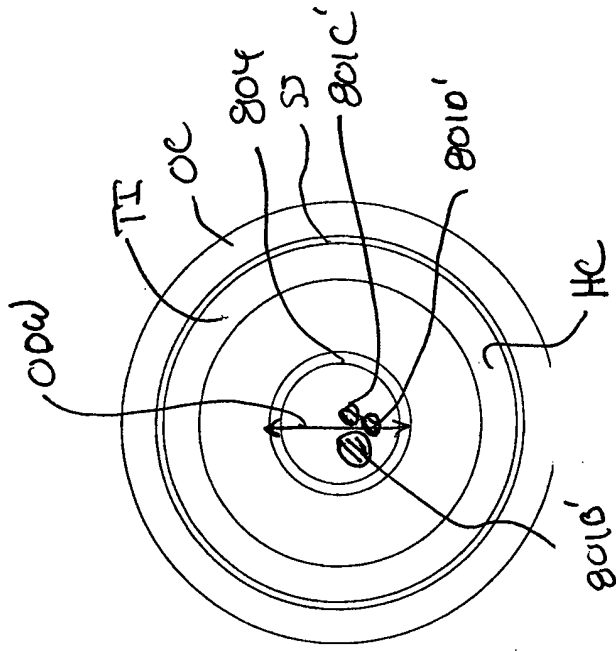
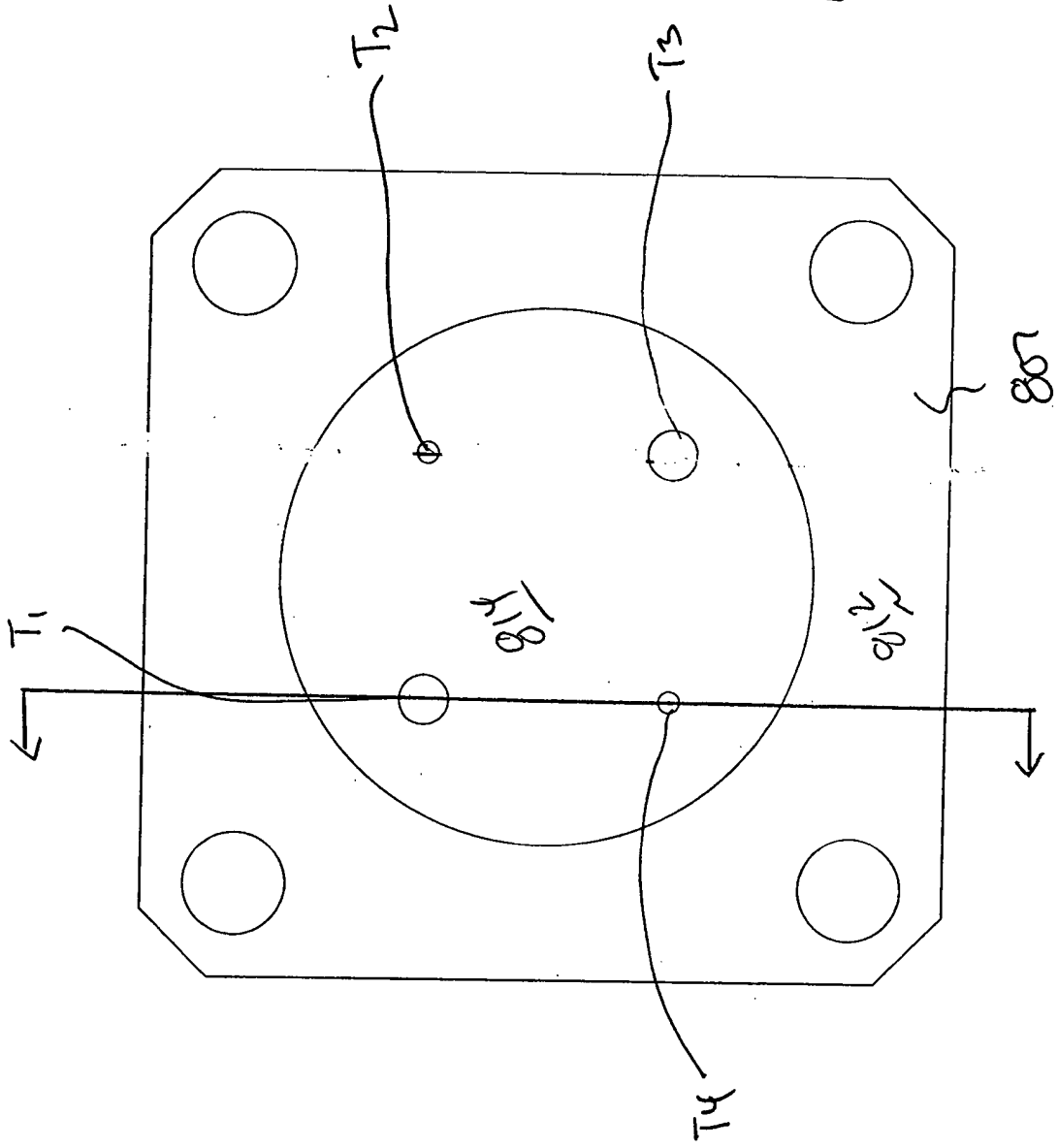


FIG. 107



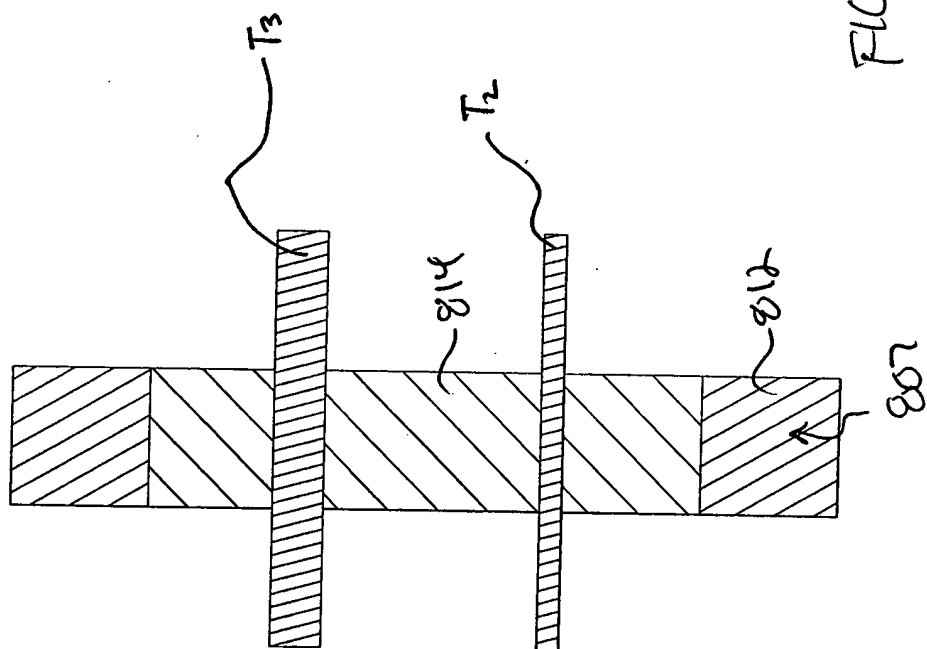


FIG. 108

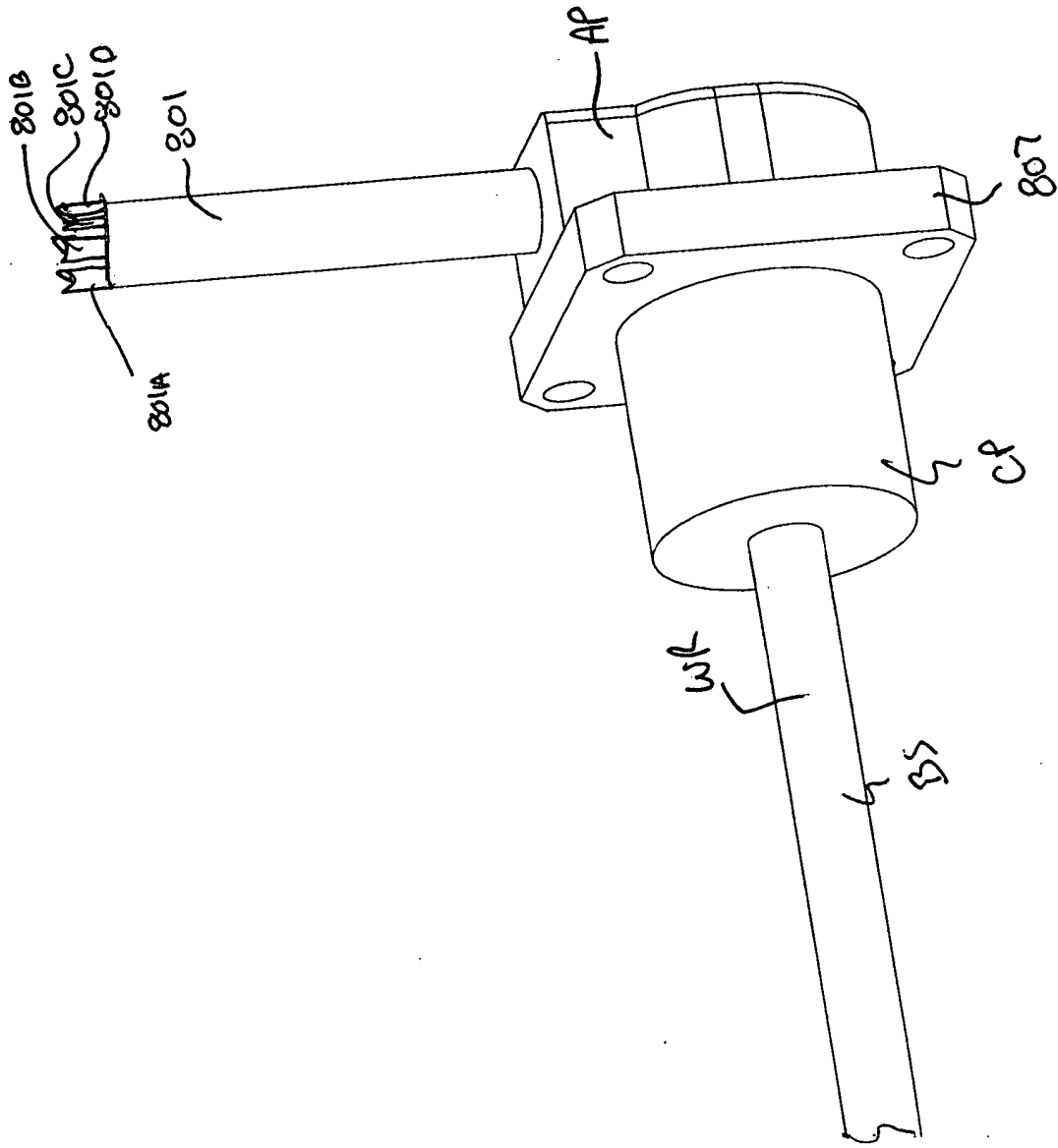
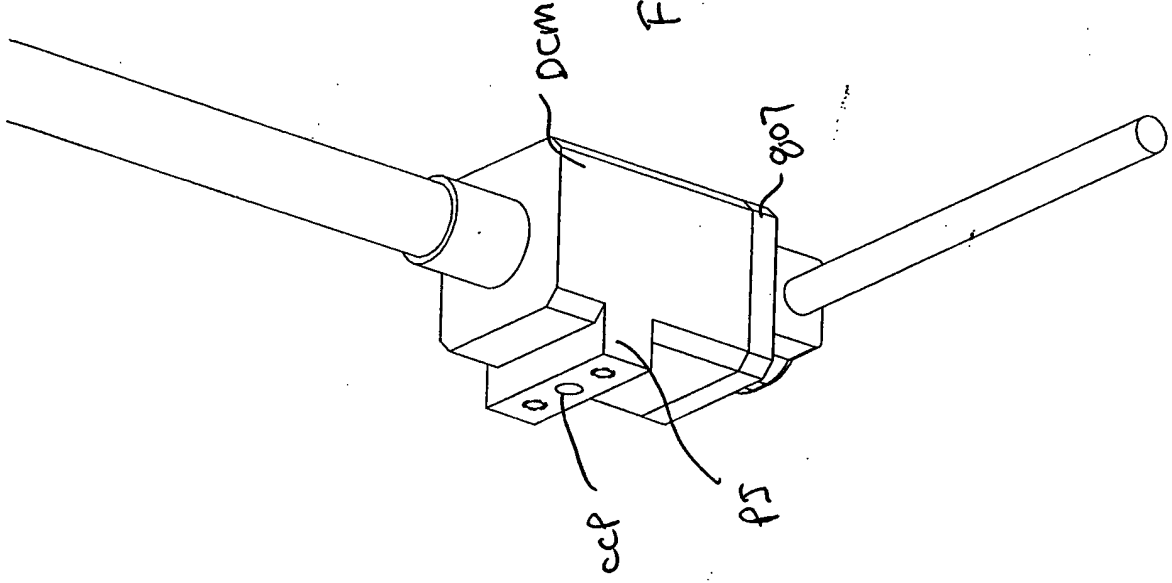
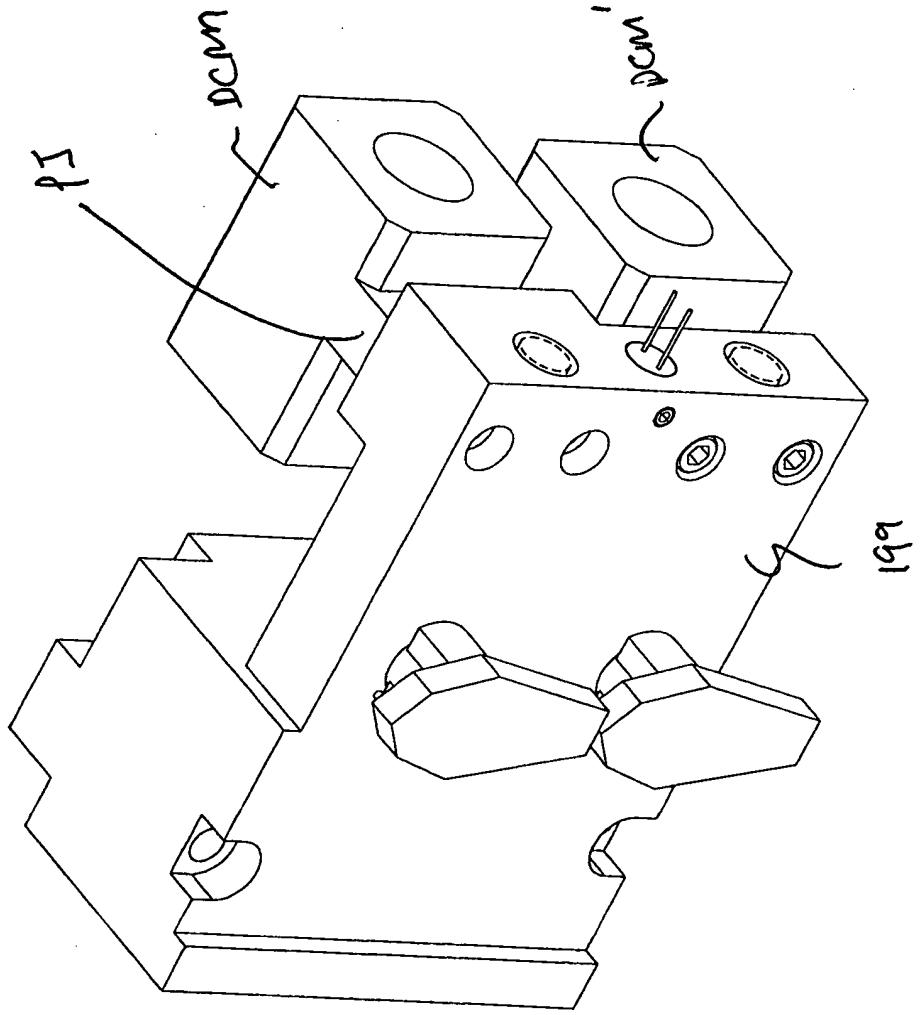


FIG. 109

FIG. 109B





109C

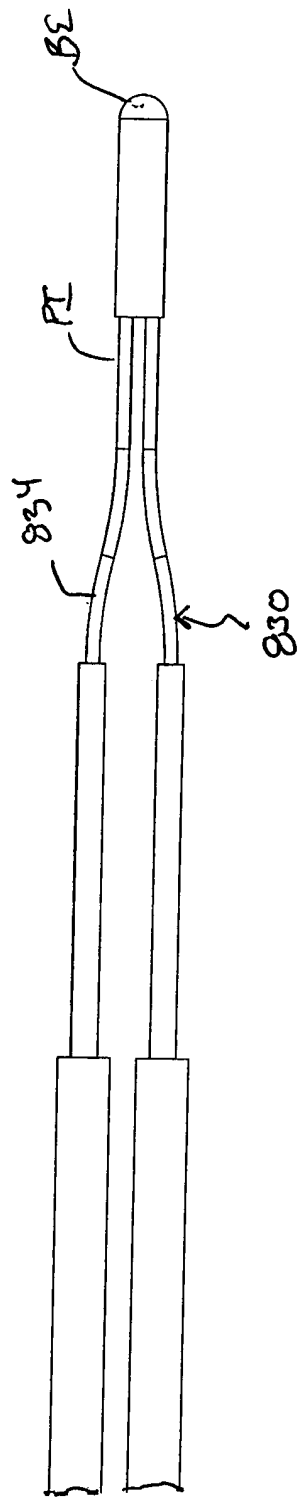


FIG. 110

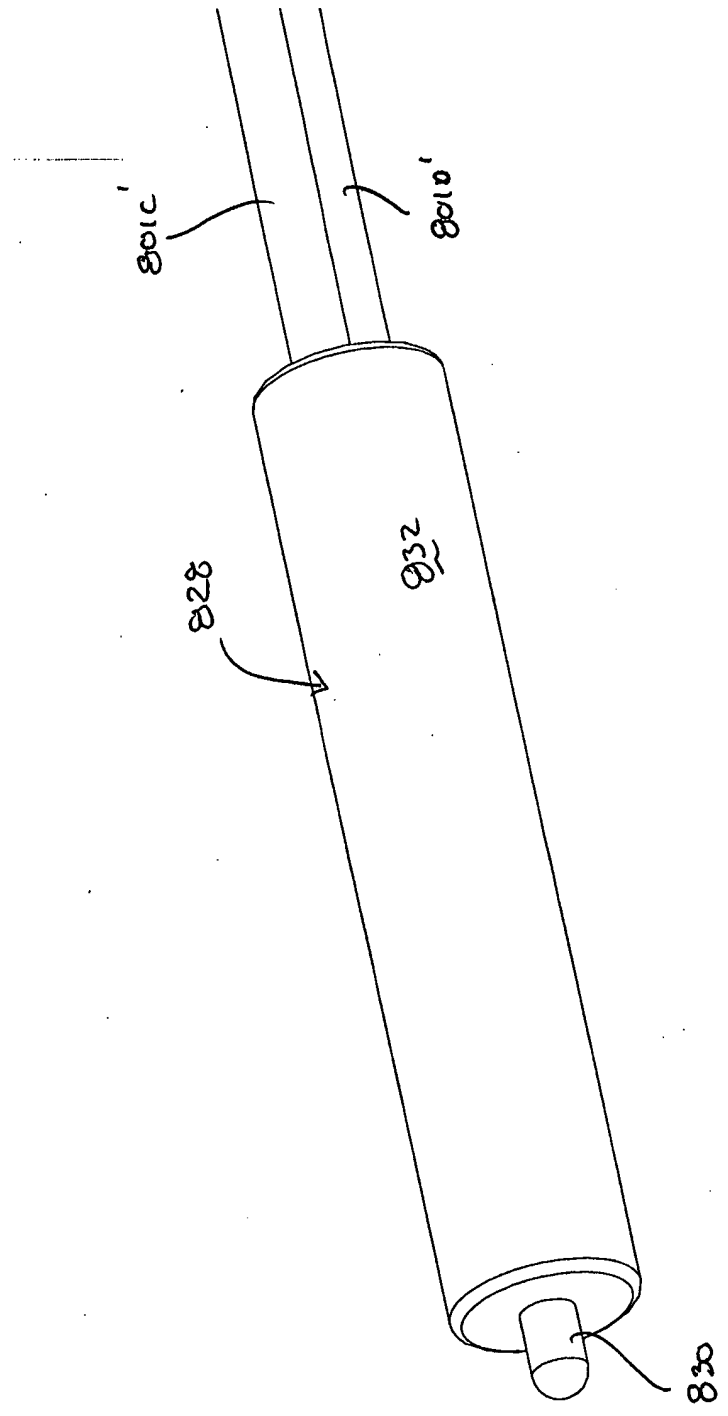
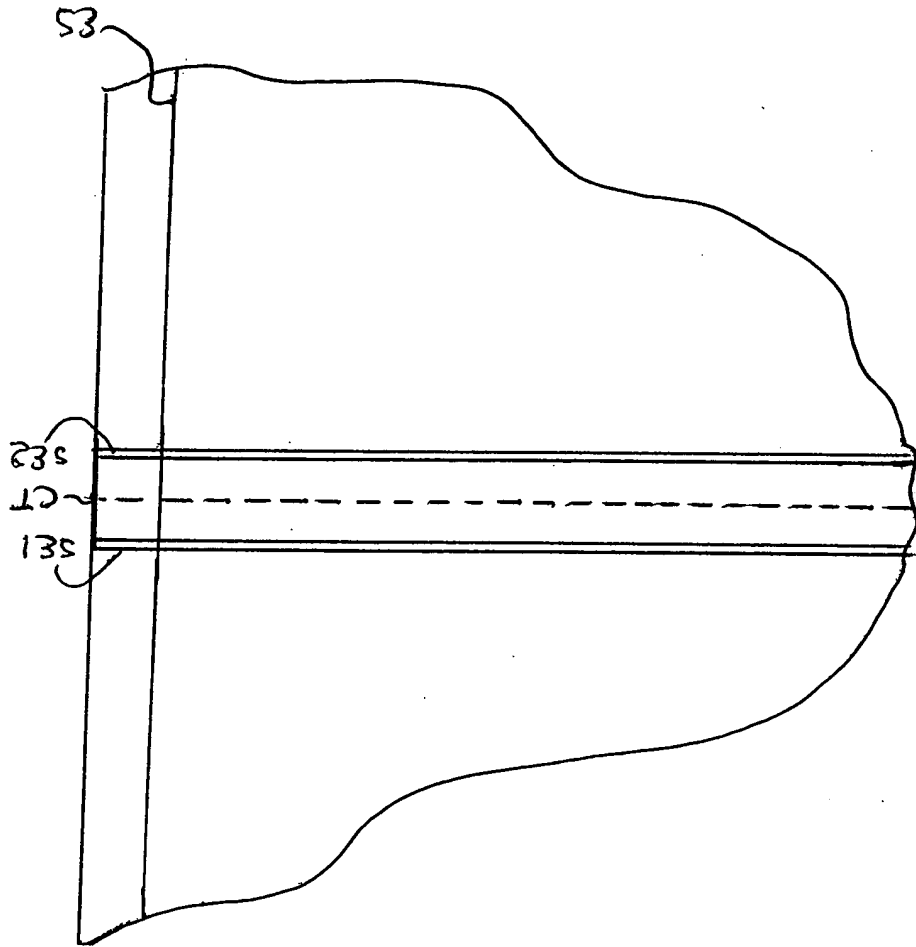


FIG. 110A

FIG. 111



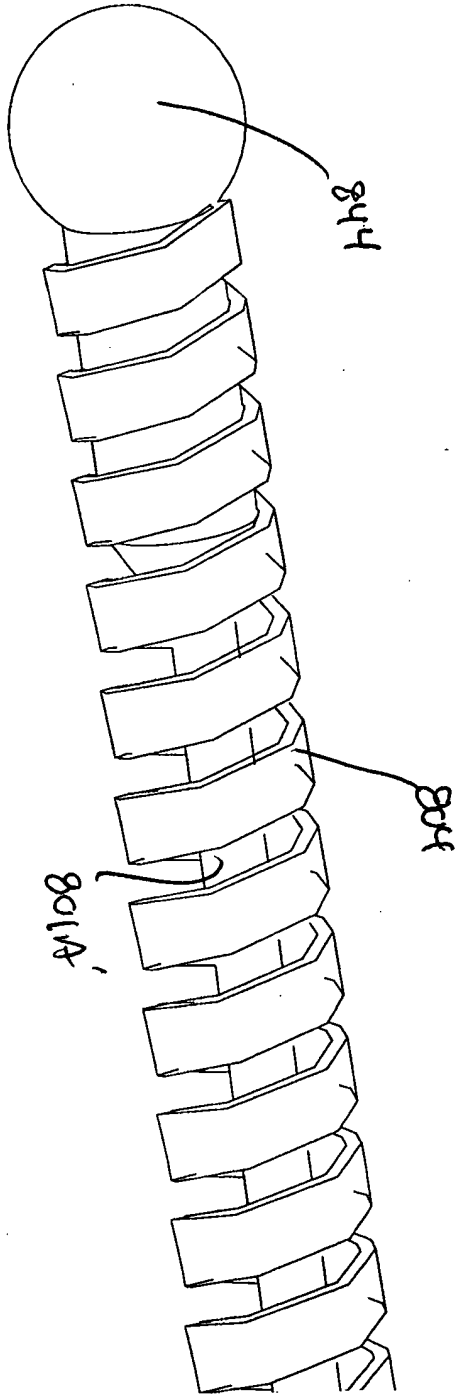


FIG. 112

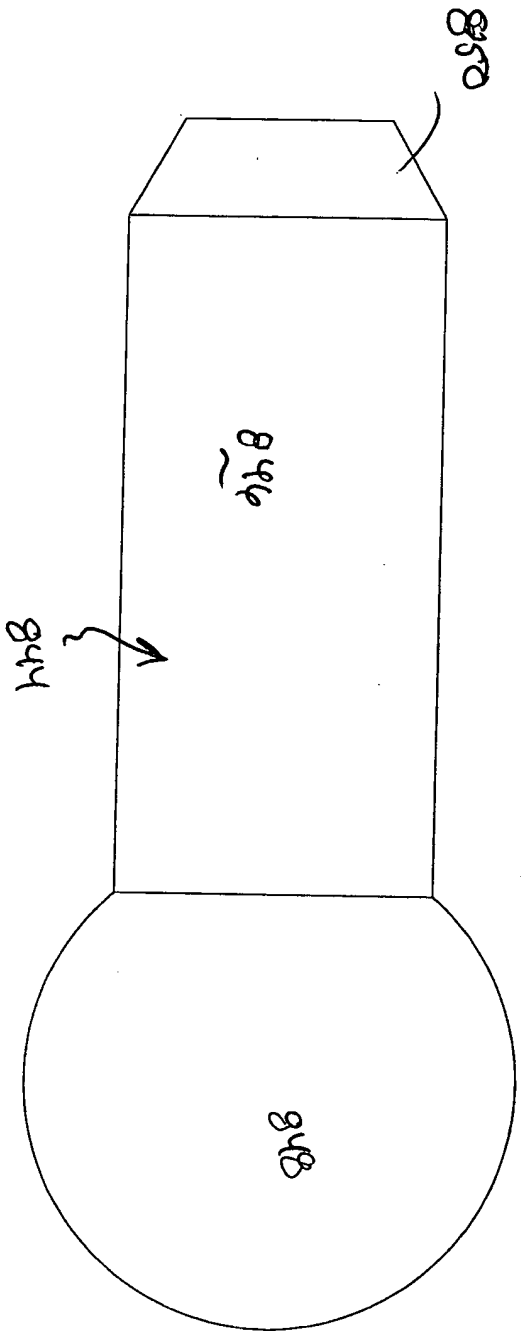


FIG. 113

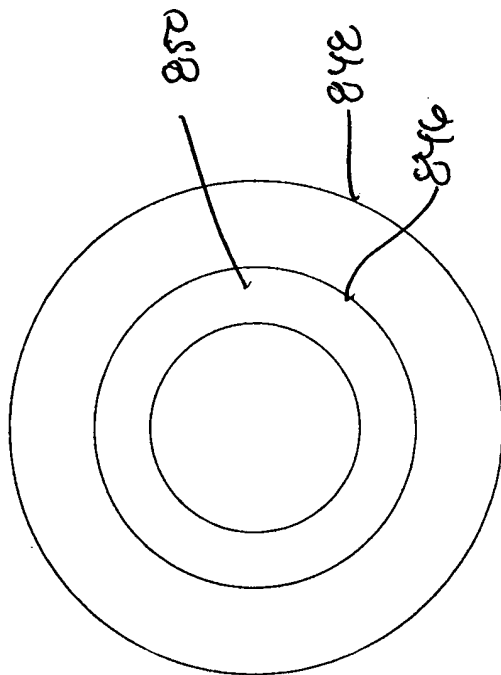


FIG. 113A

FIG. 114

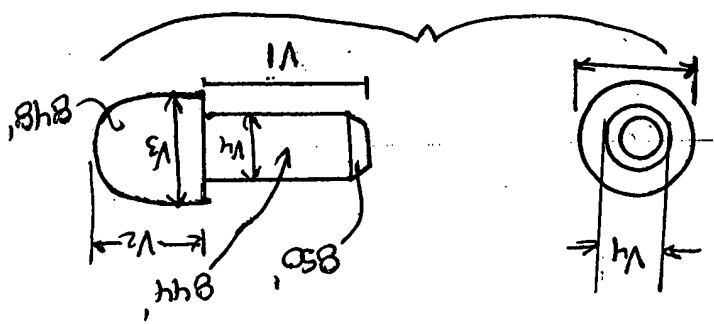
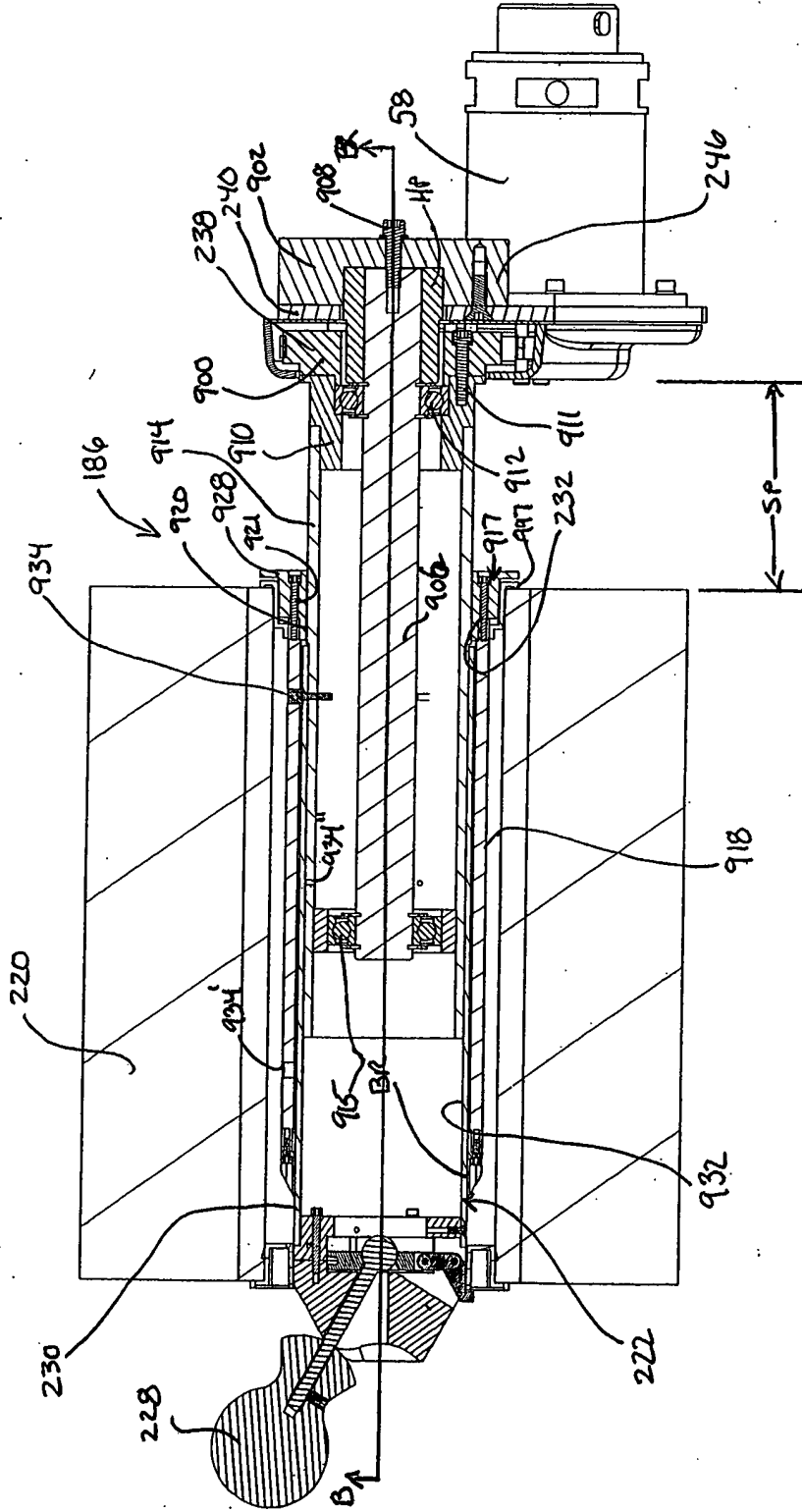


FIG. 115



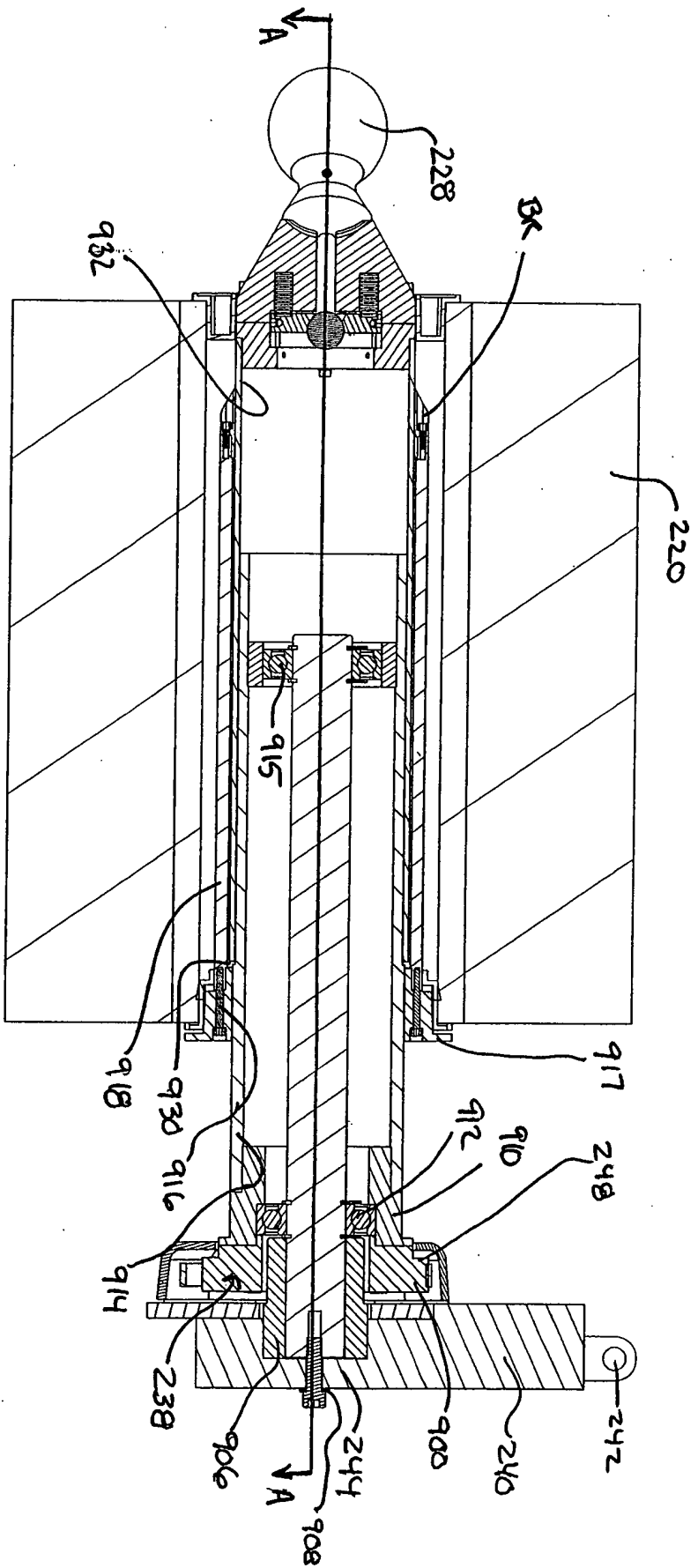


Fig. 11b

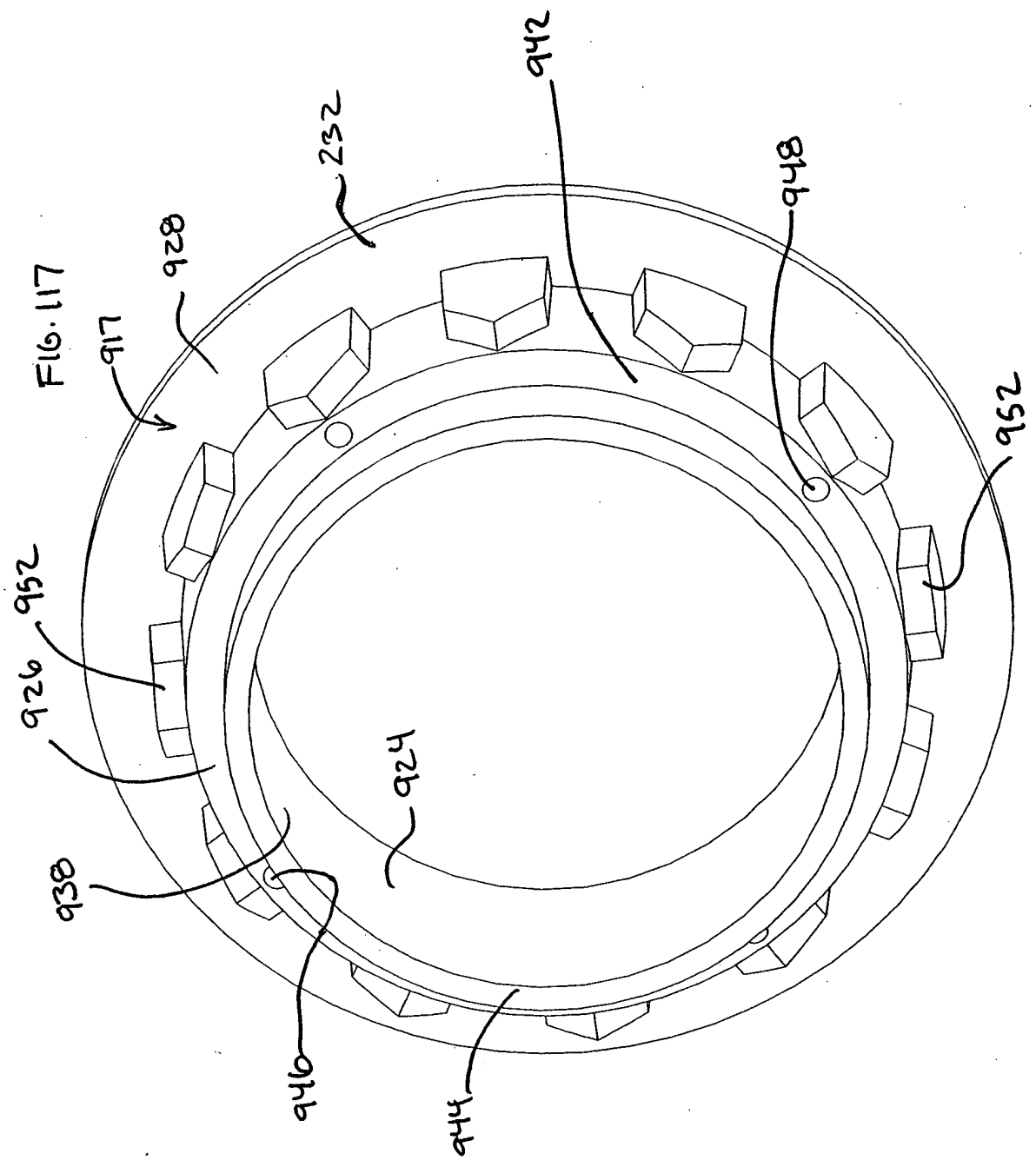


FIG. 117

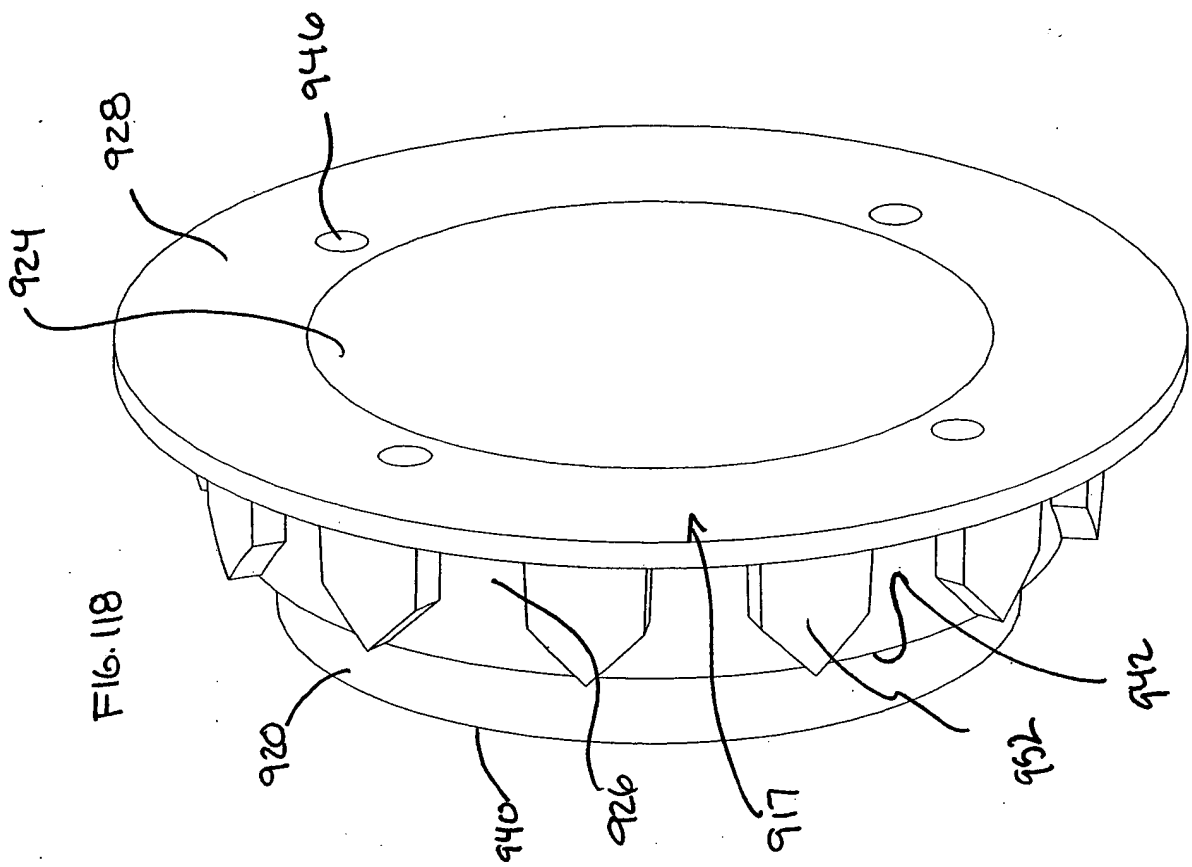
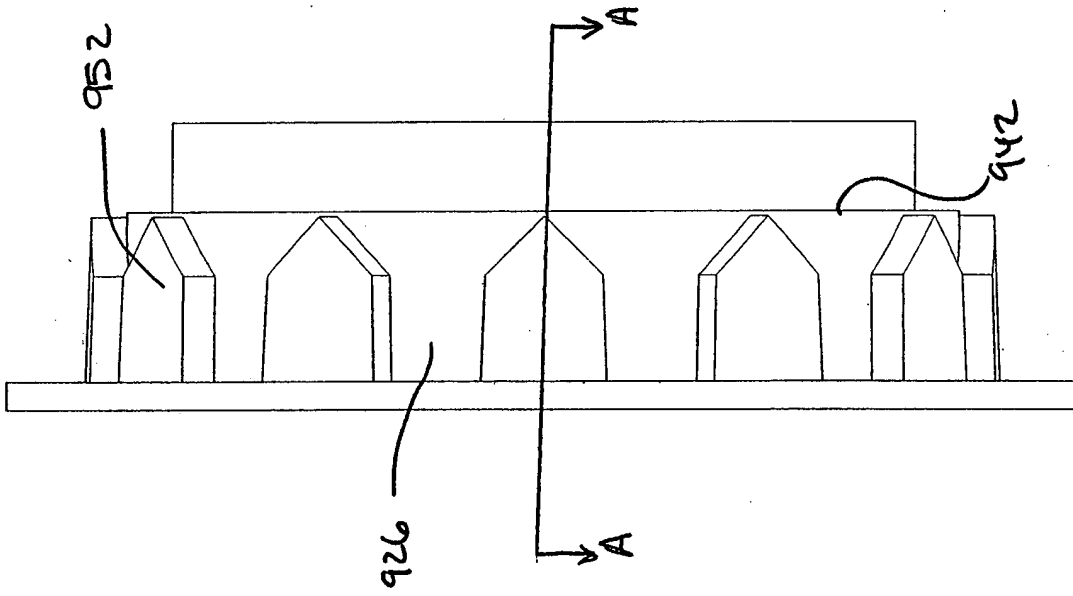
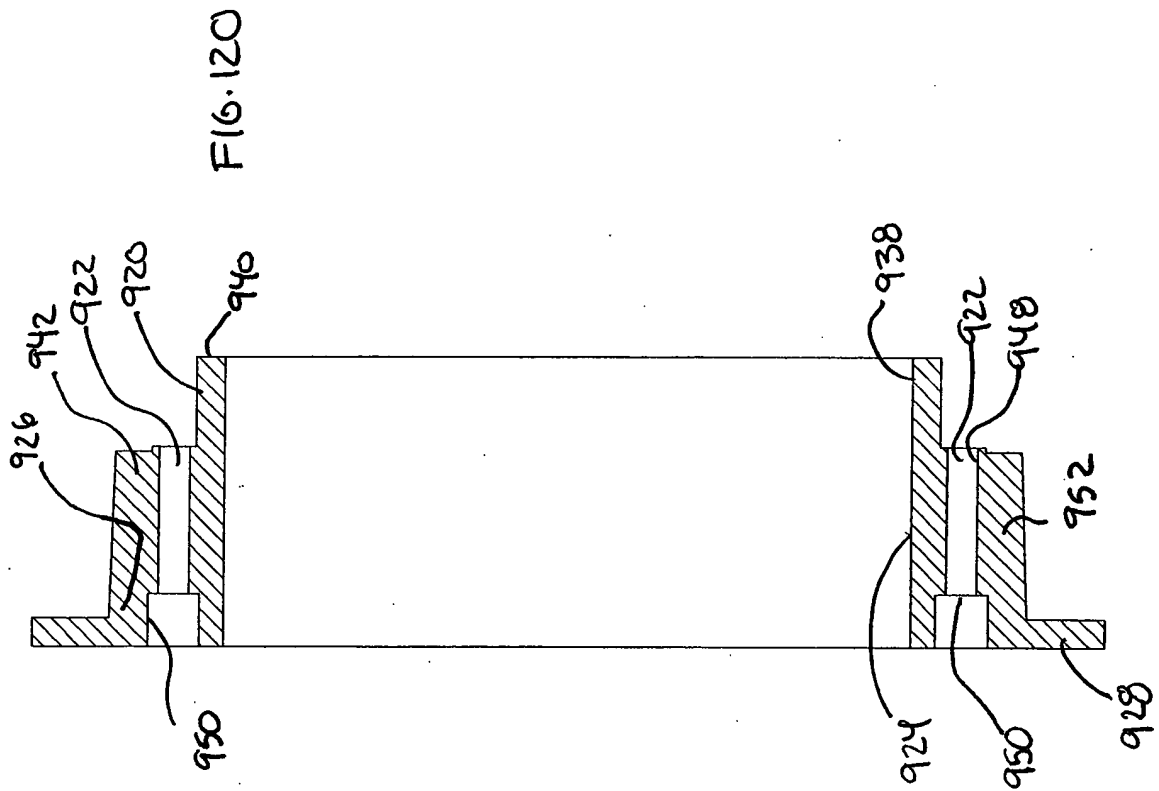


FIG. 118

FIG. 119





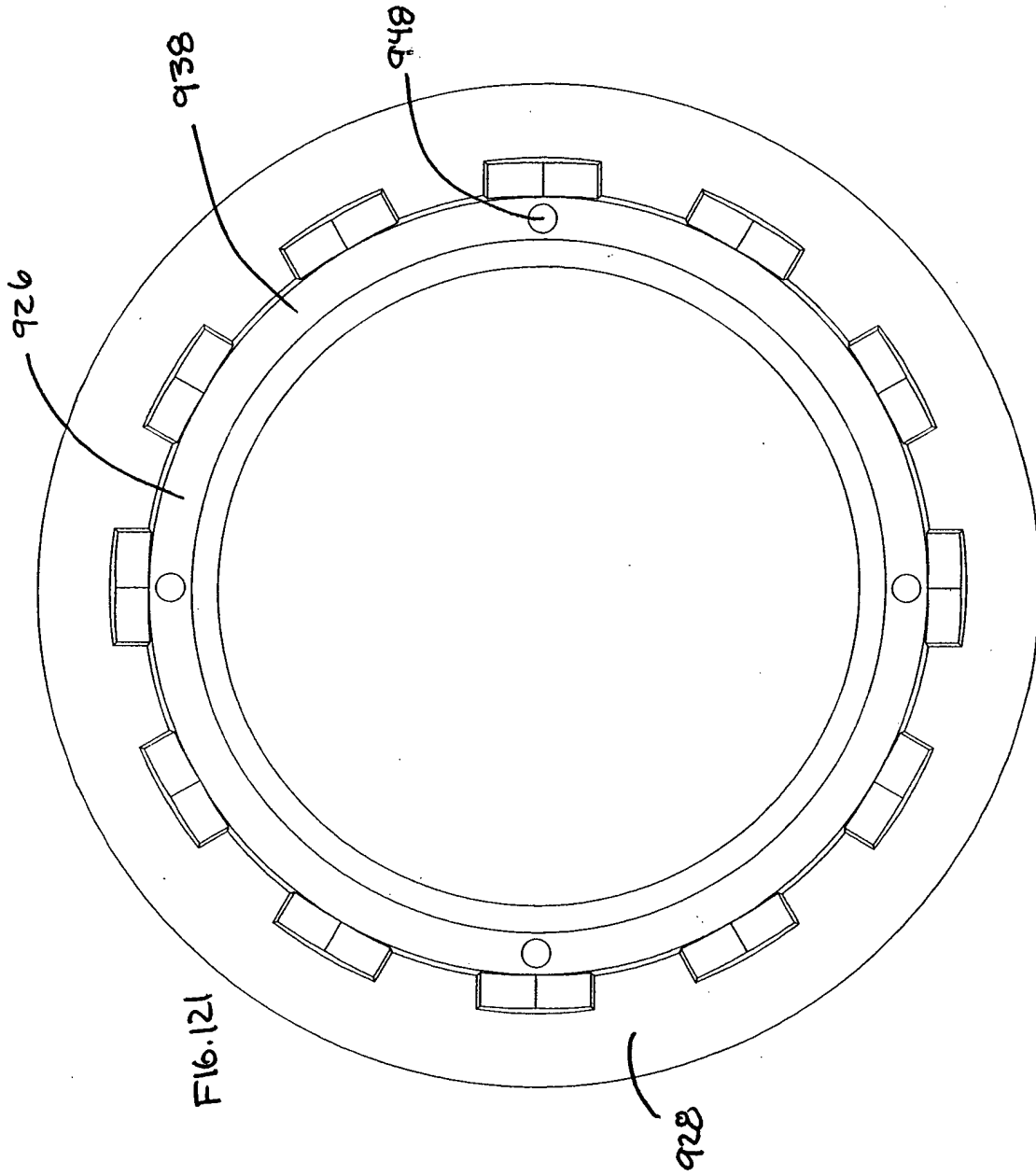


FIG. 121

FIG. 122

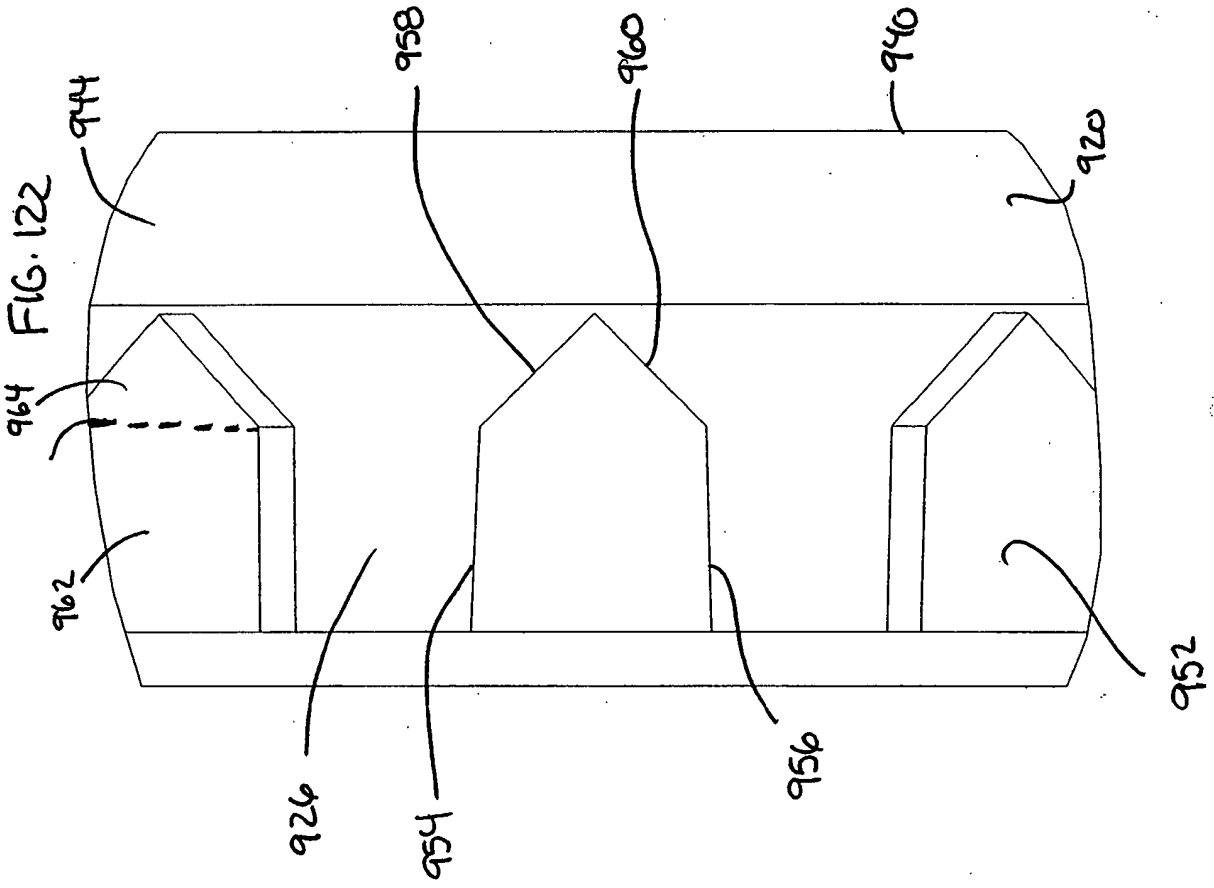
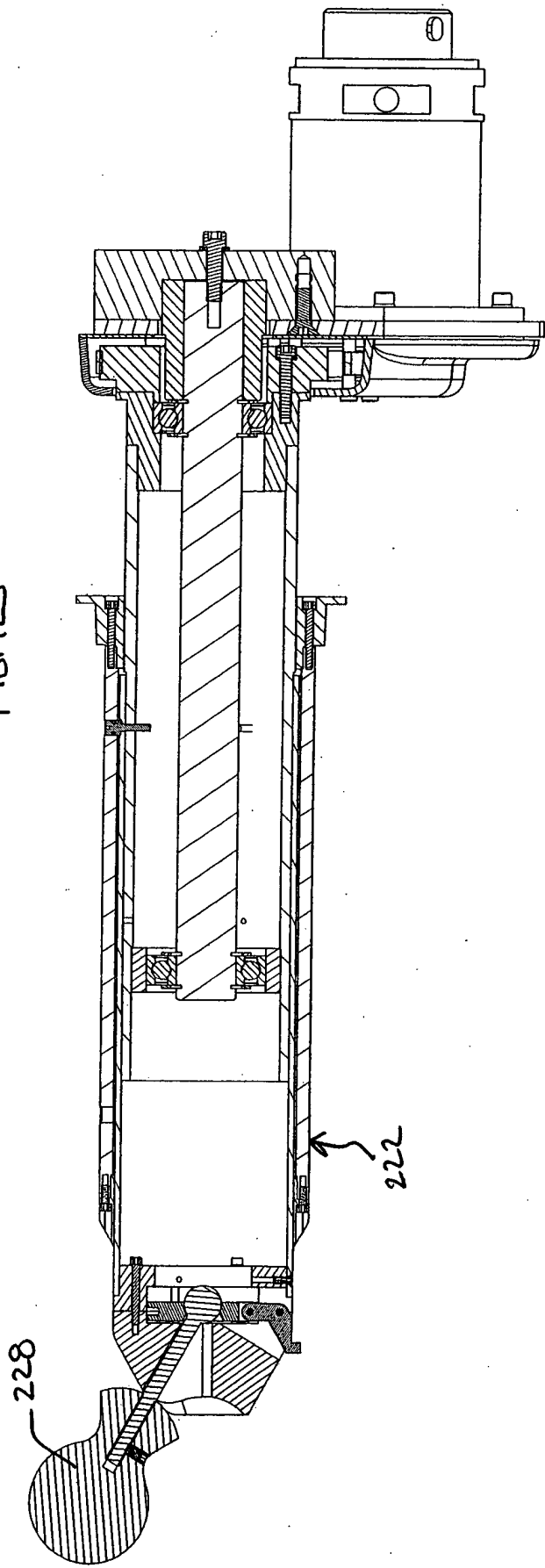


FIG. 123



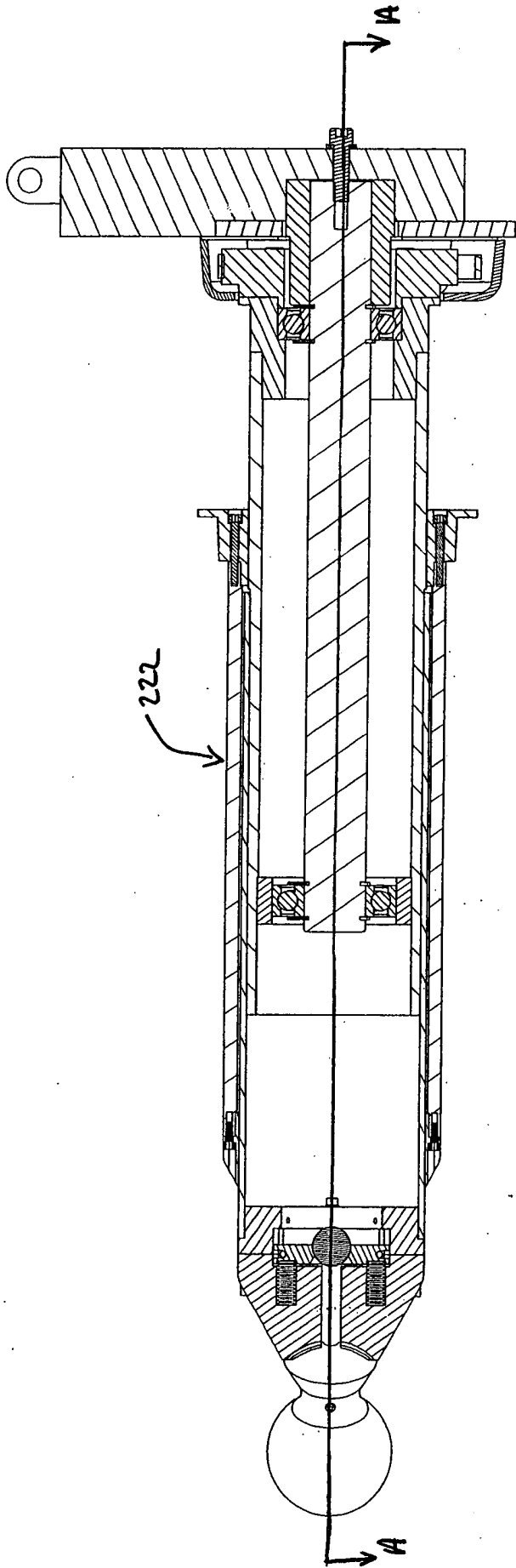


FIG. 124

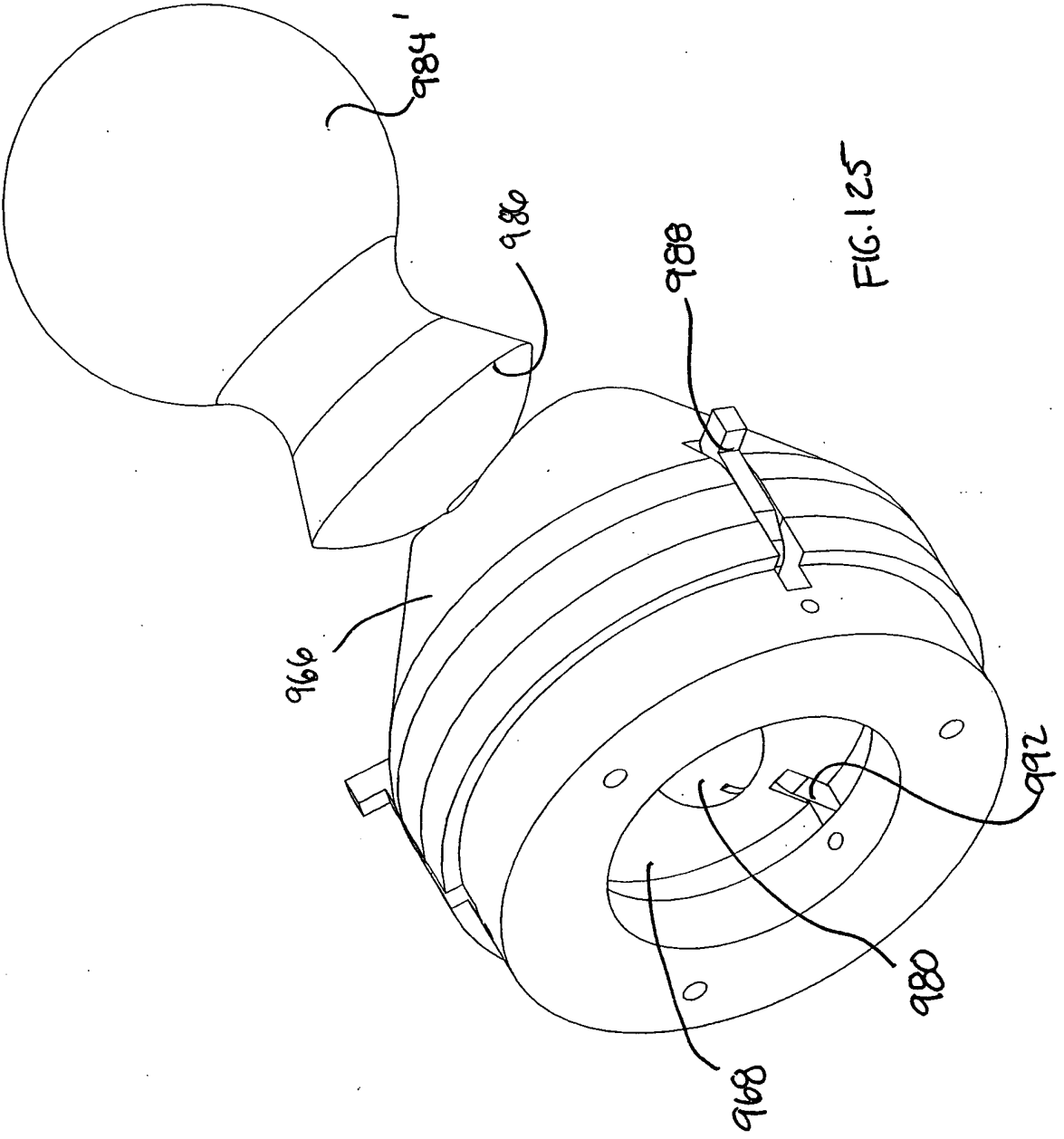


FIG. 125

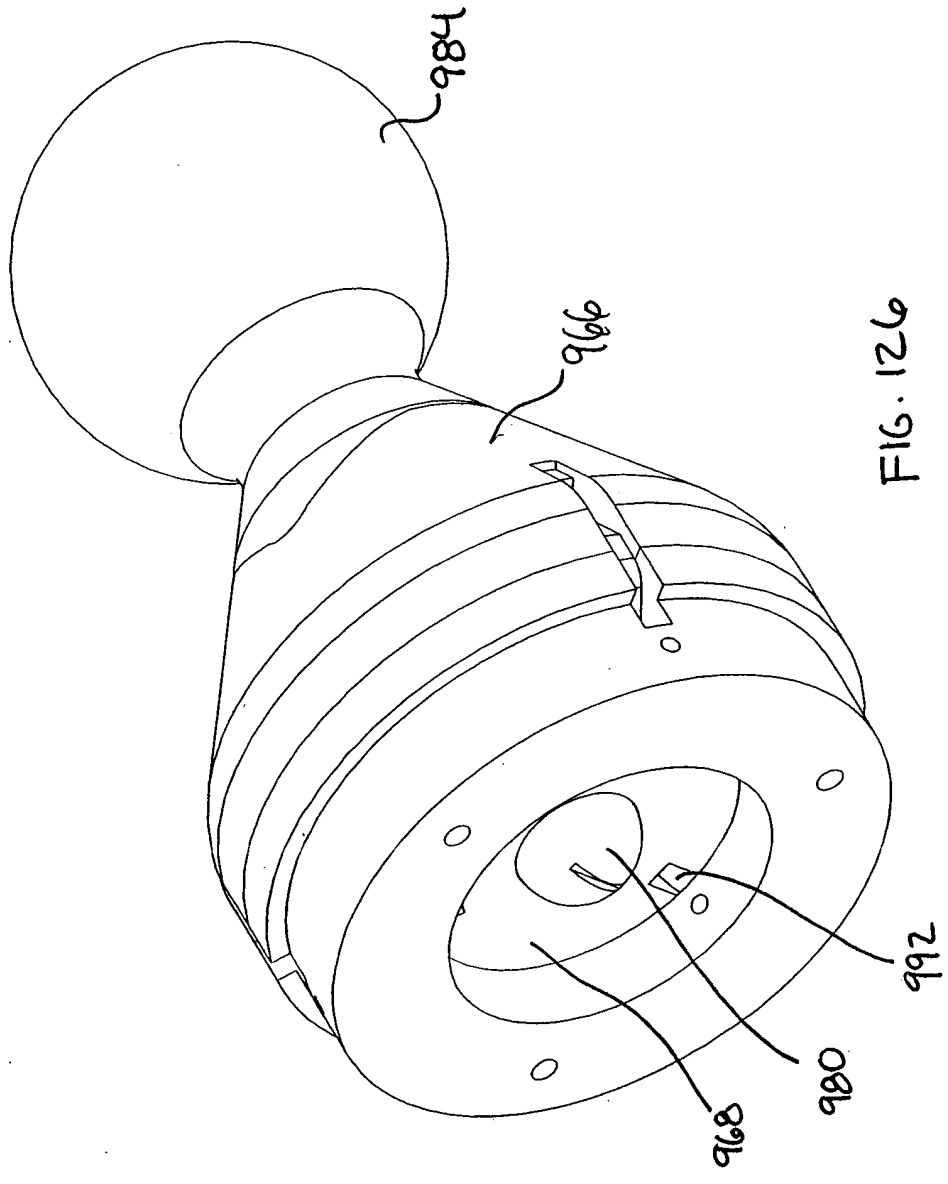


FIG. 126

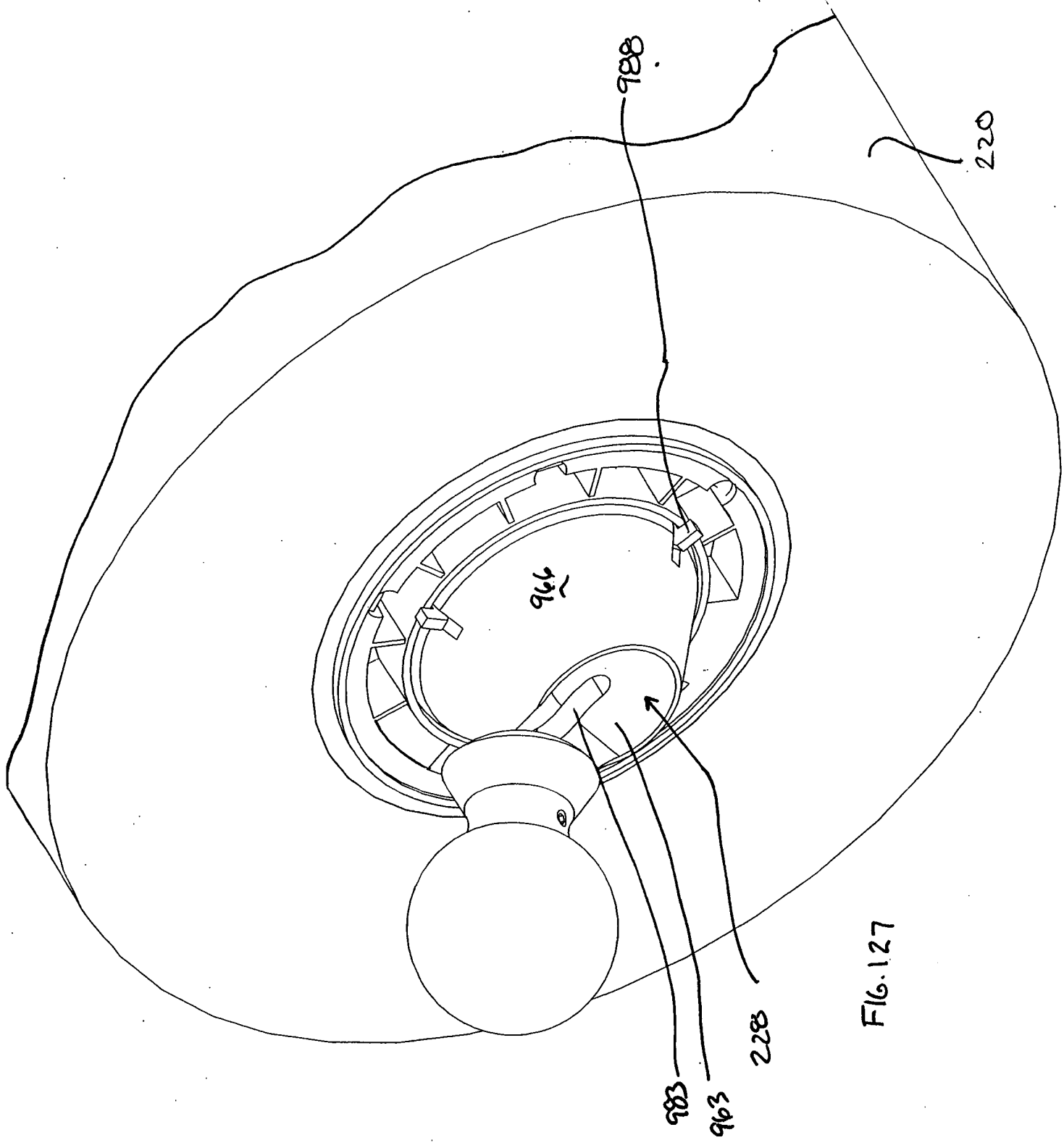


FIG. 127

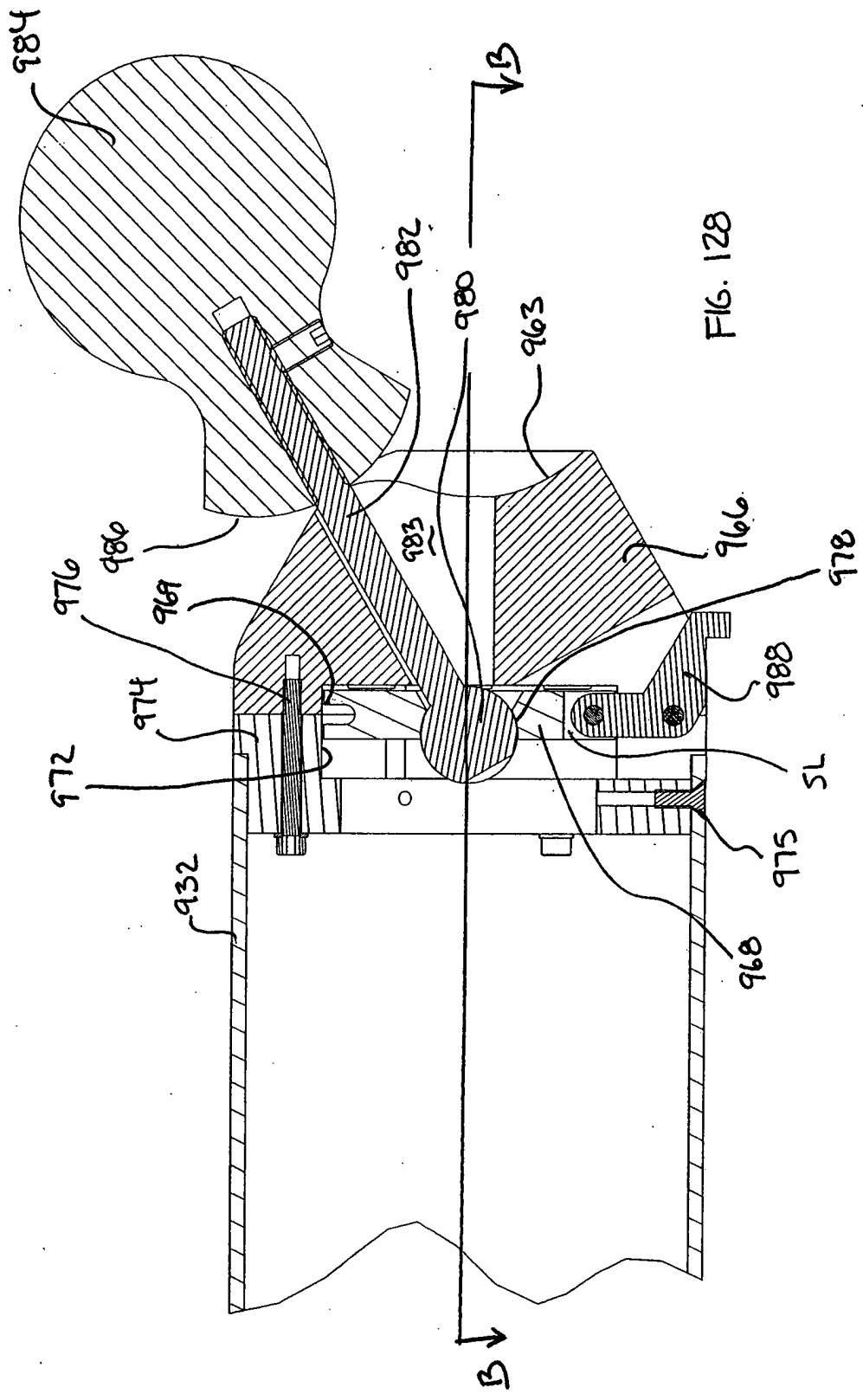
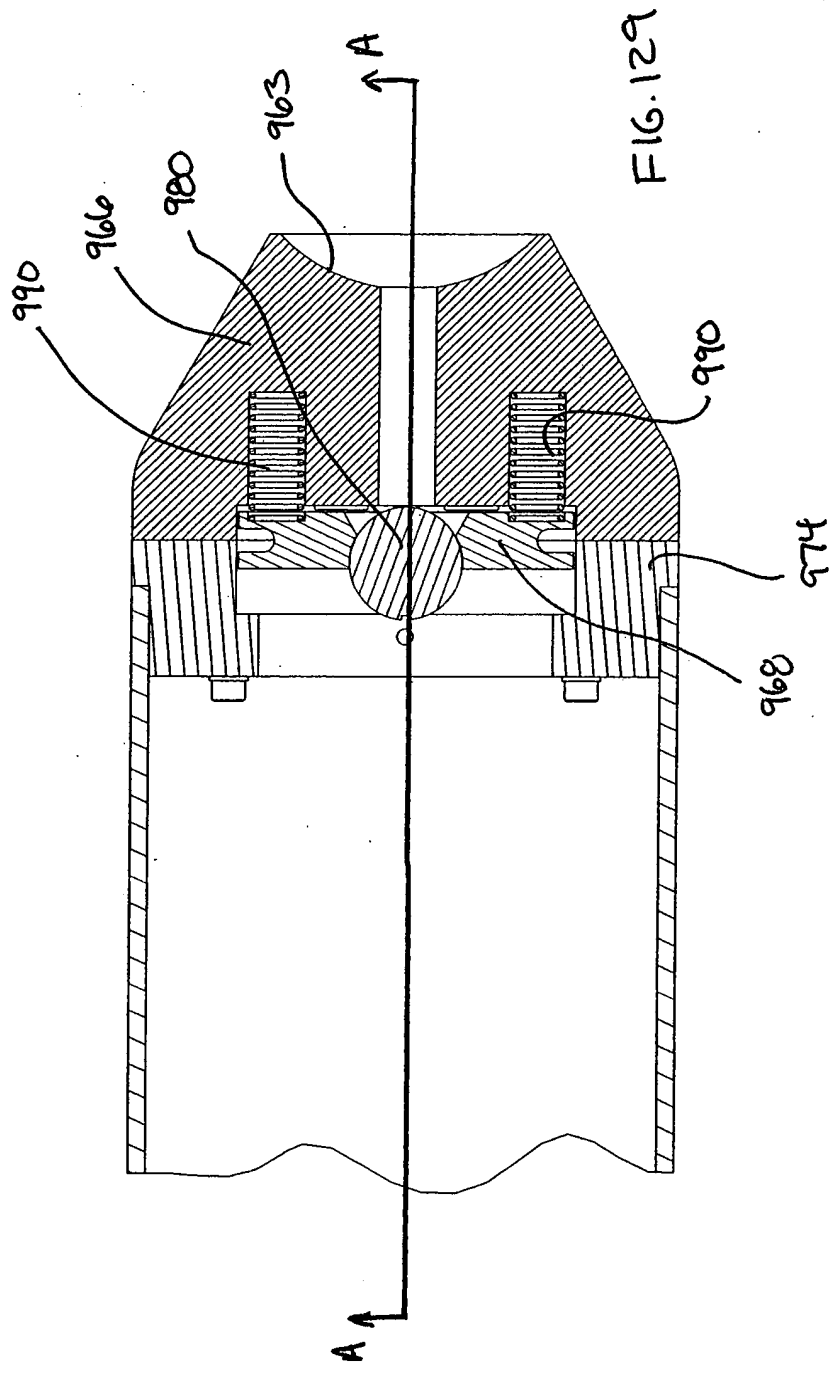


FIG. 128



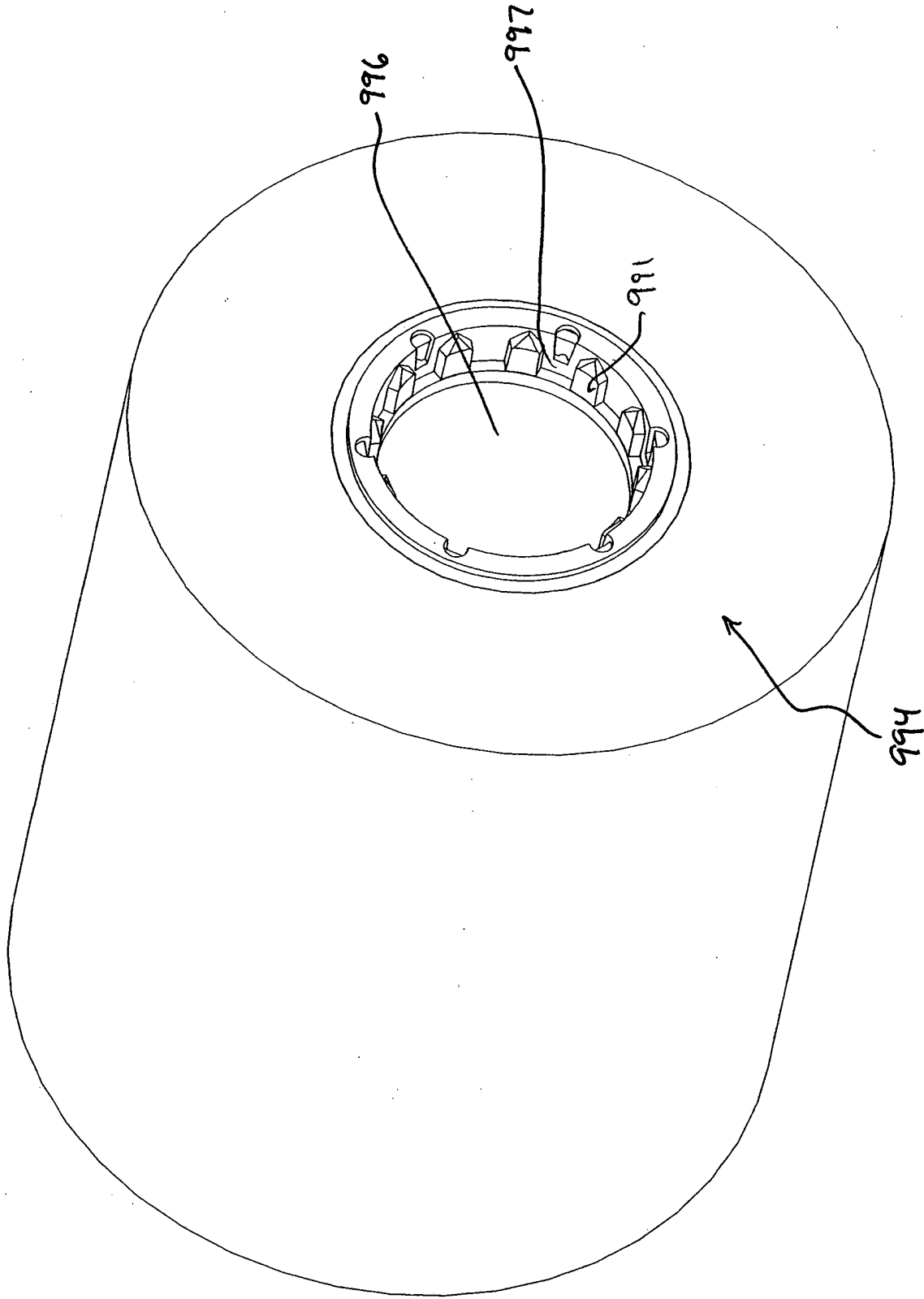


FIG. 130

FIG. 131

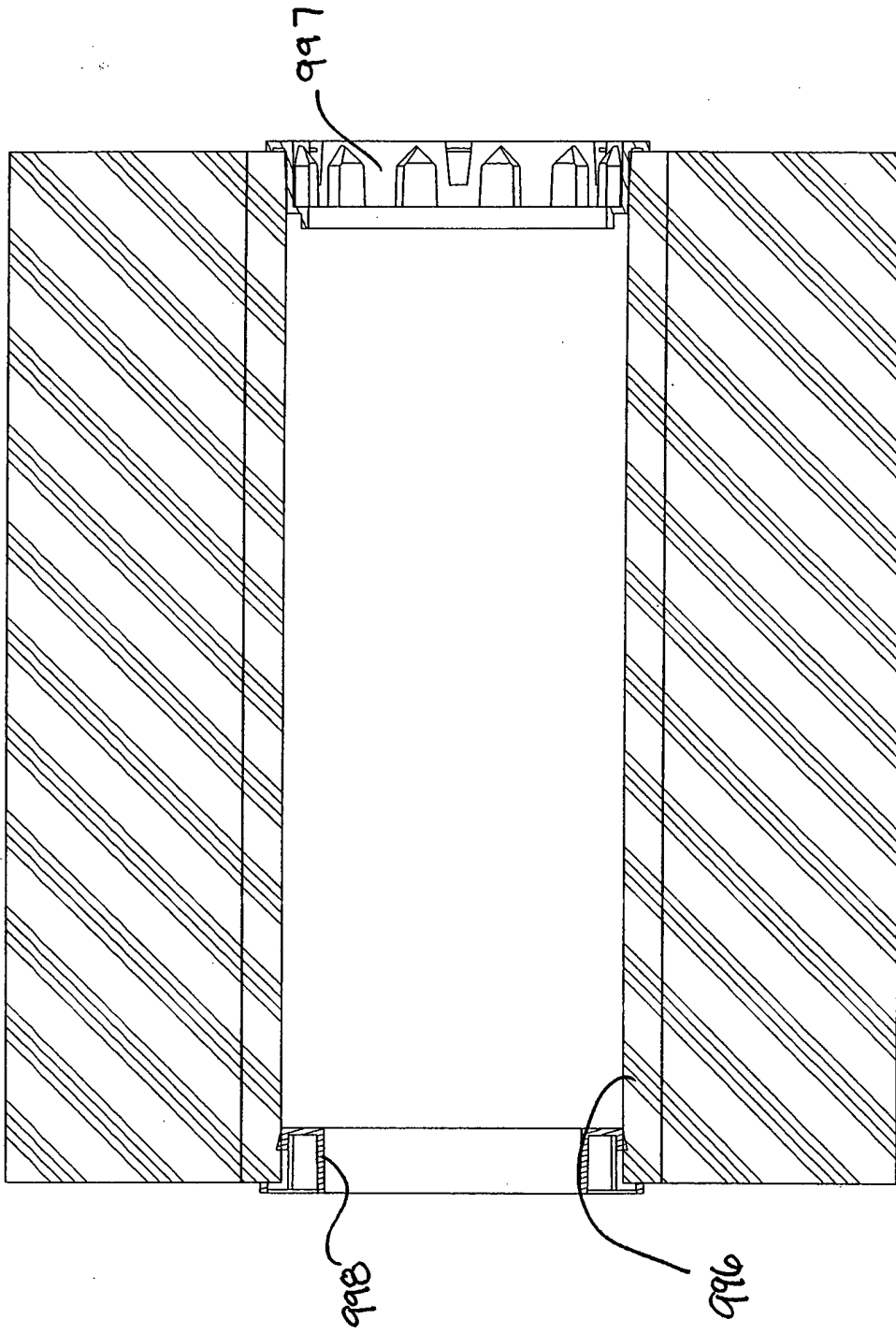
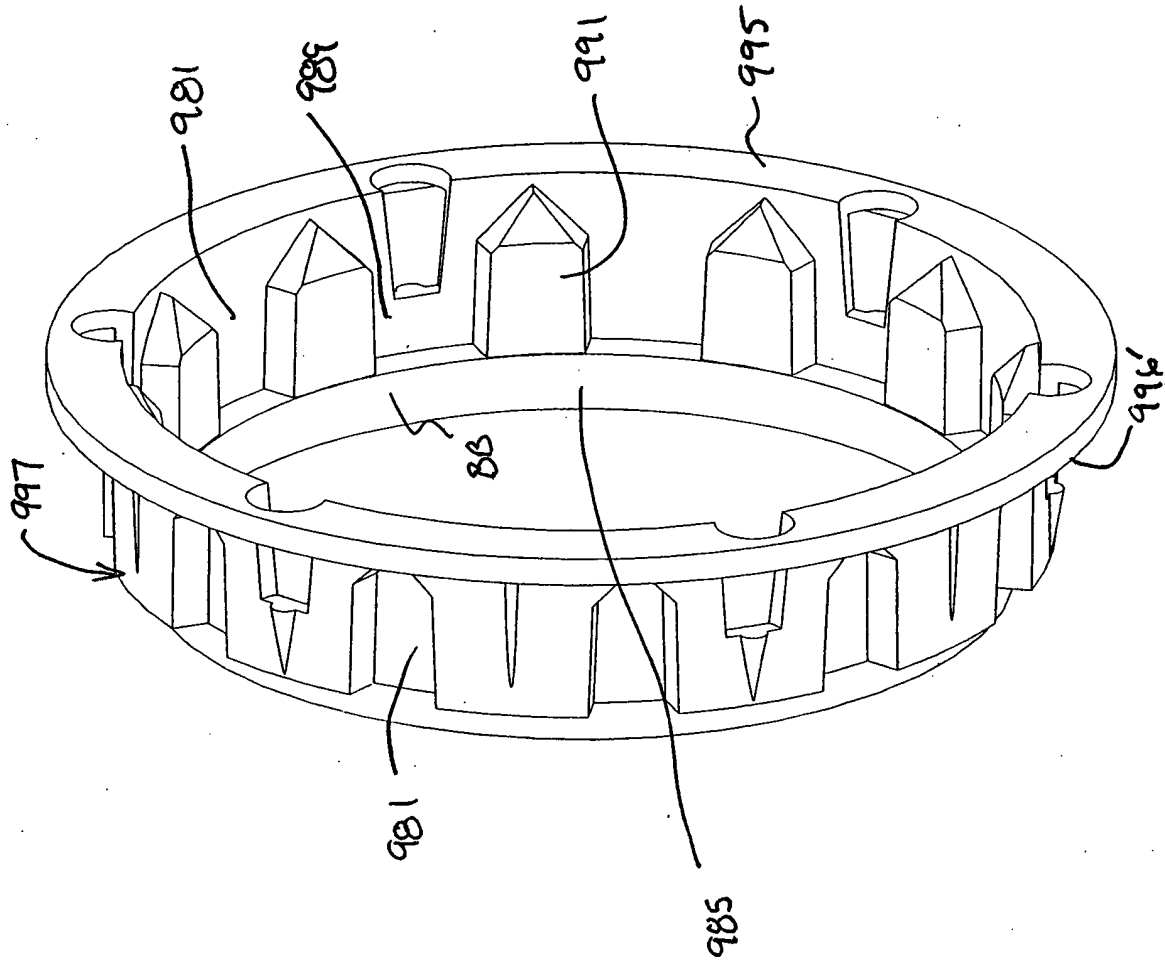


FIG. 132



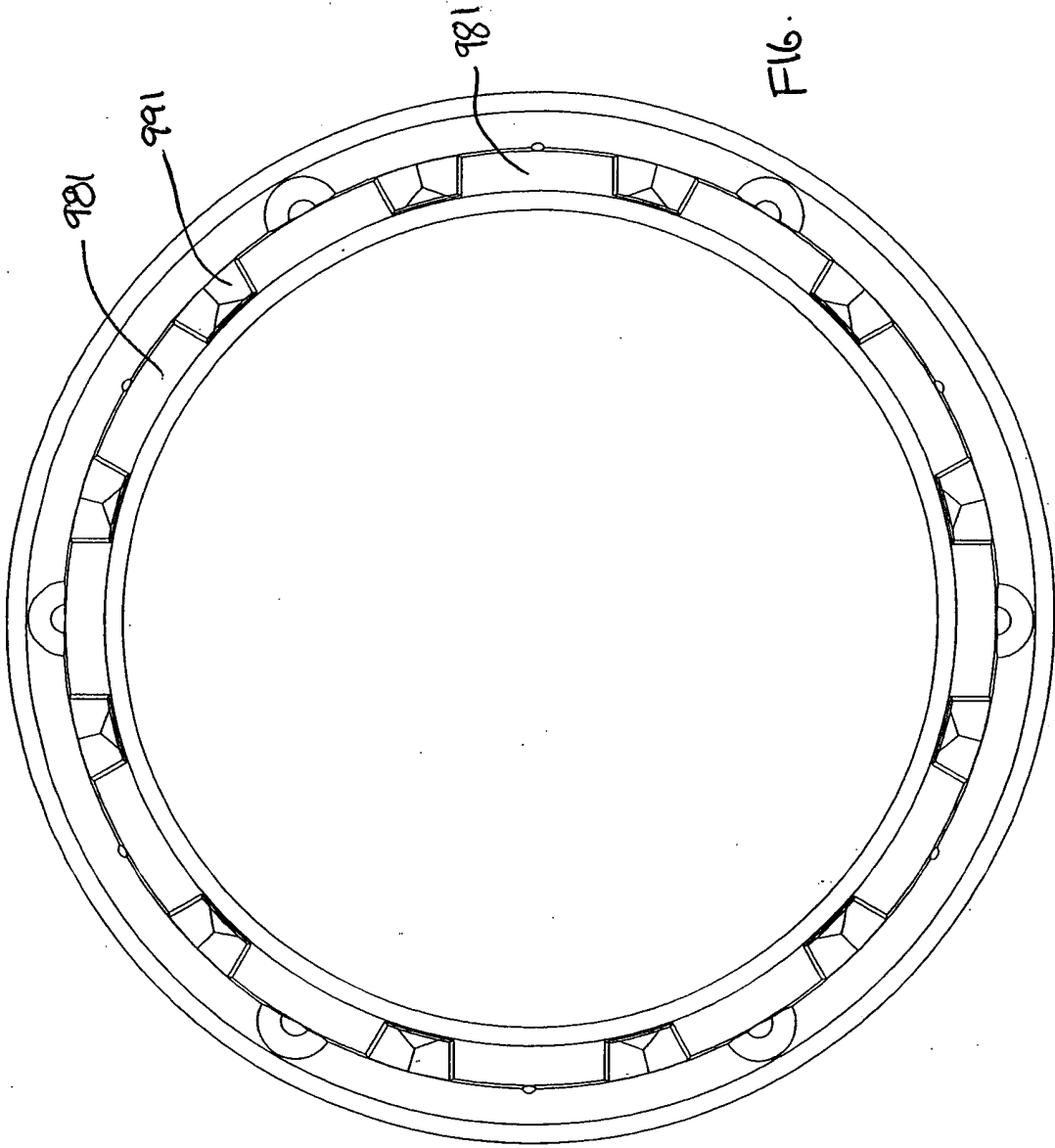
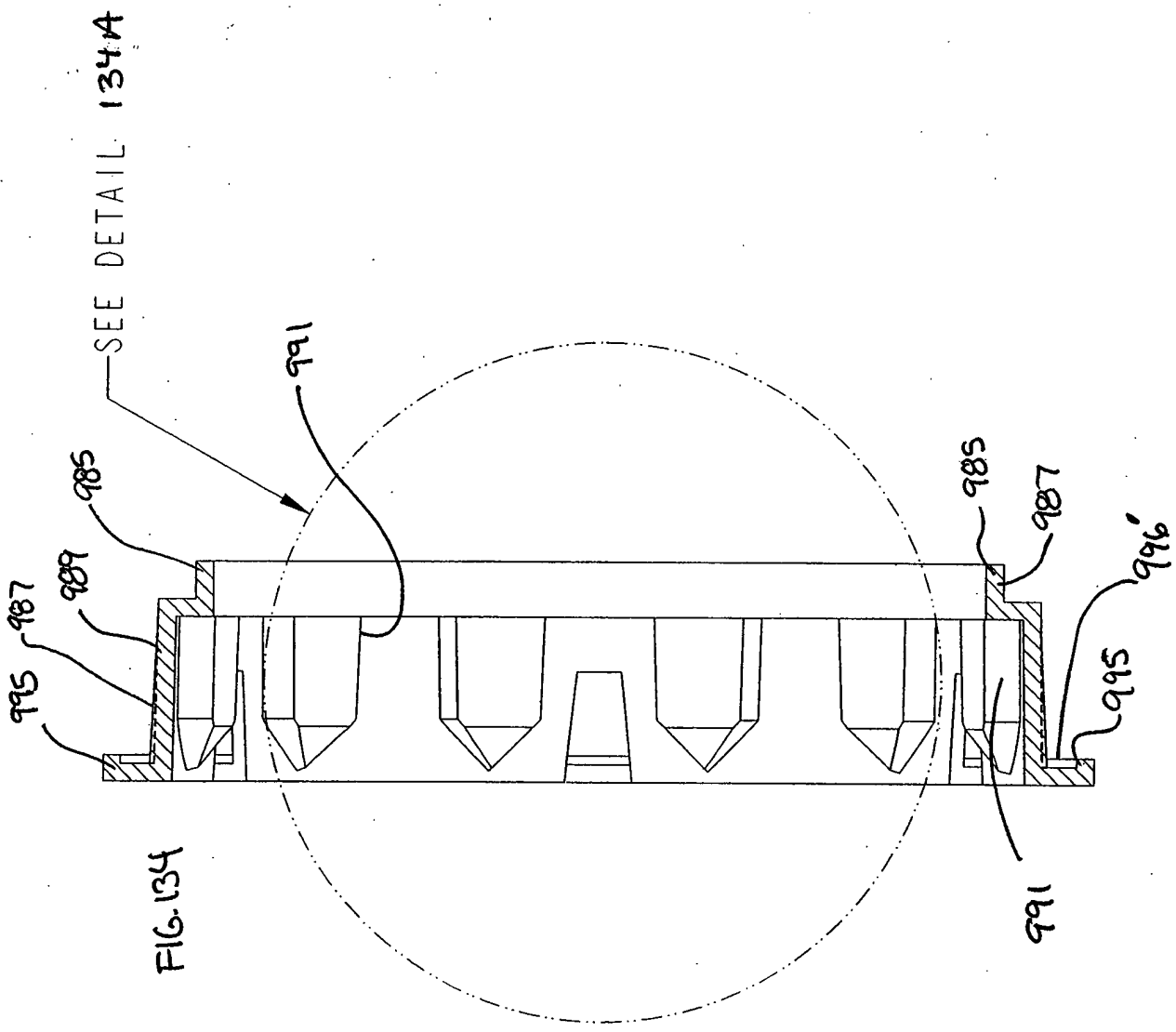


FIG. 133



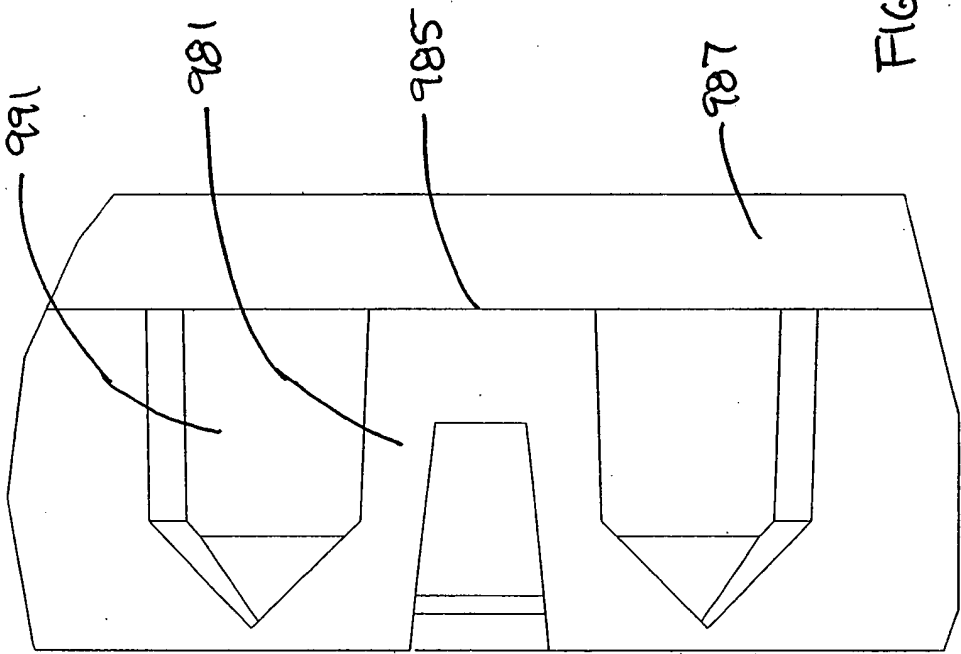
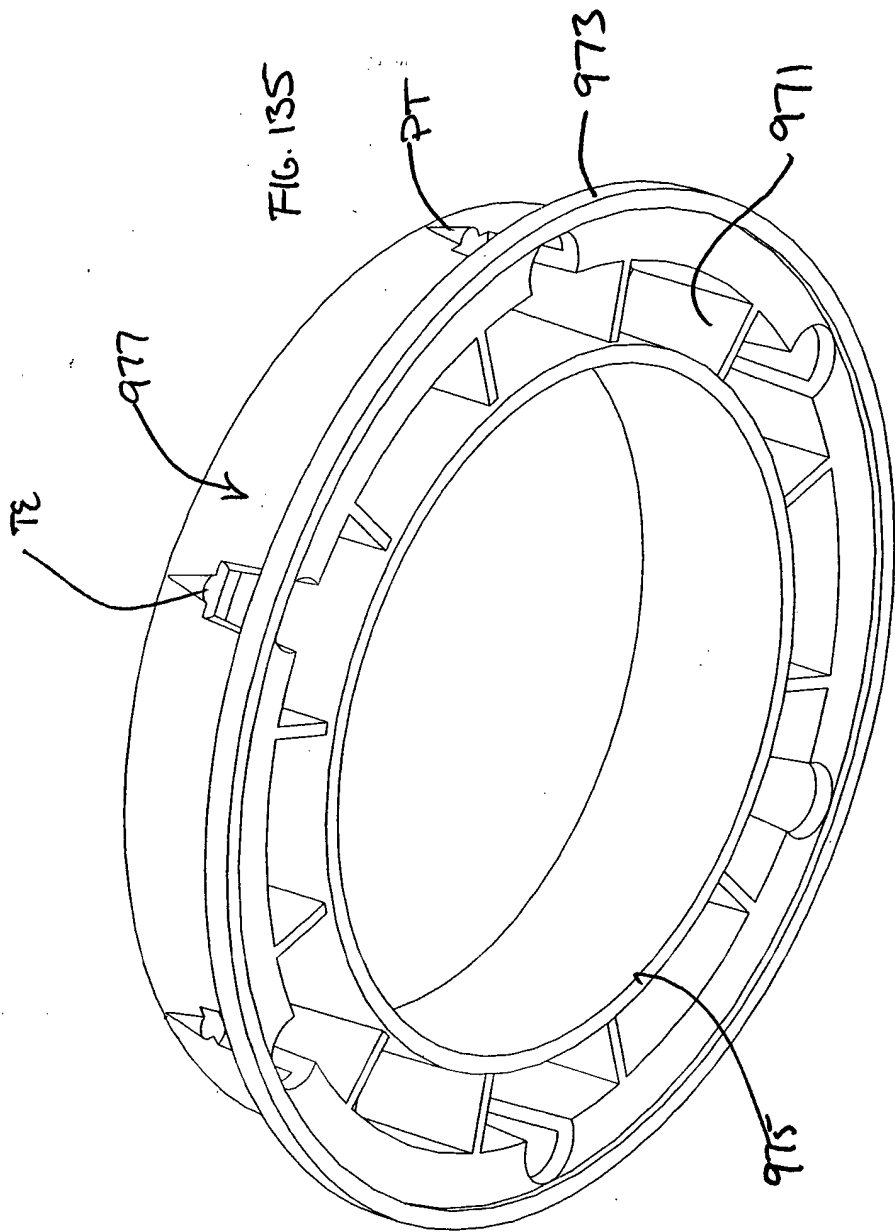


FIG. 134A



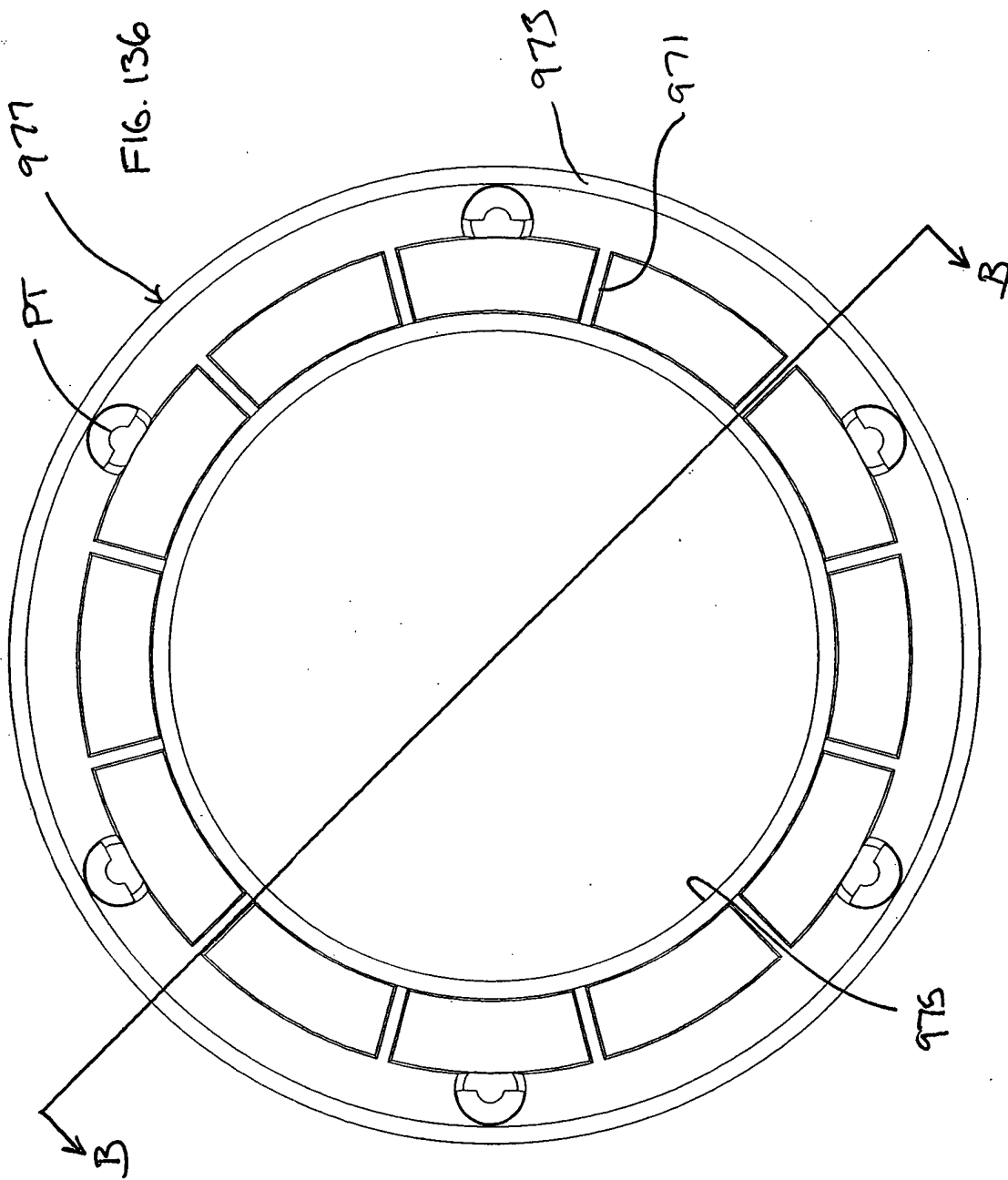


FIG. 137

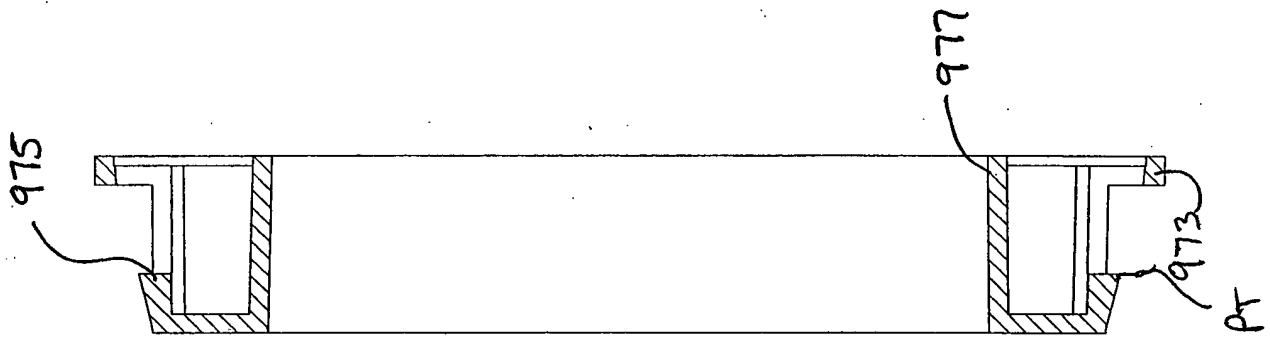
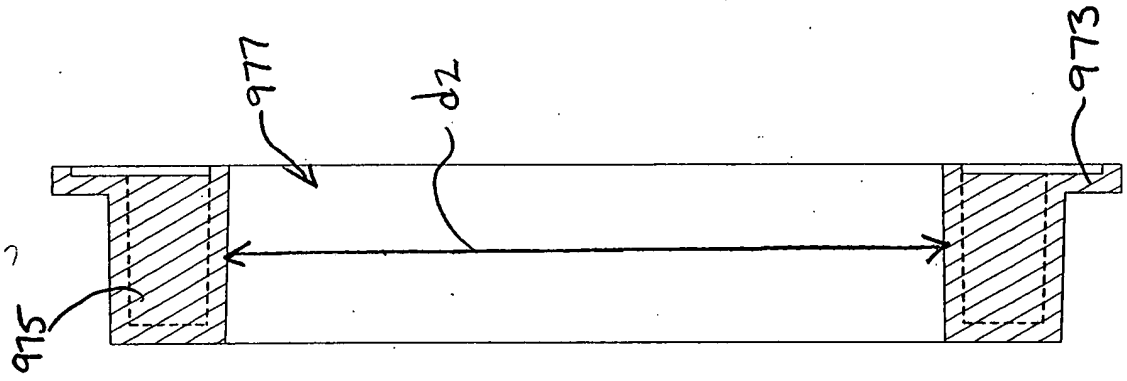


FIG. 138



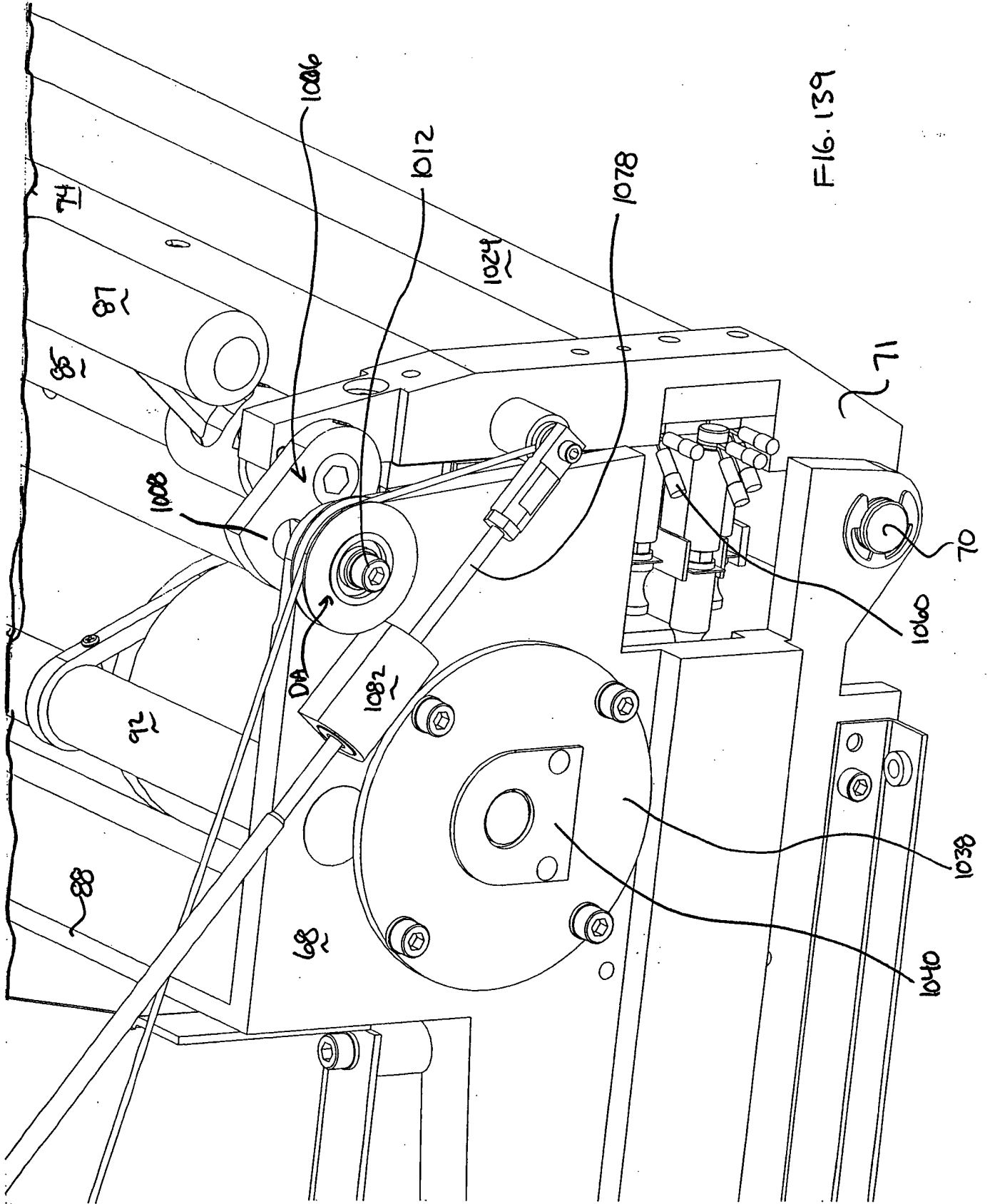
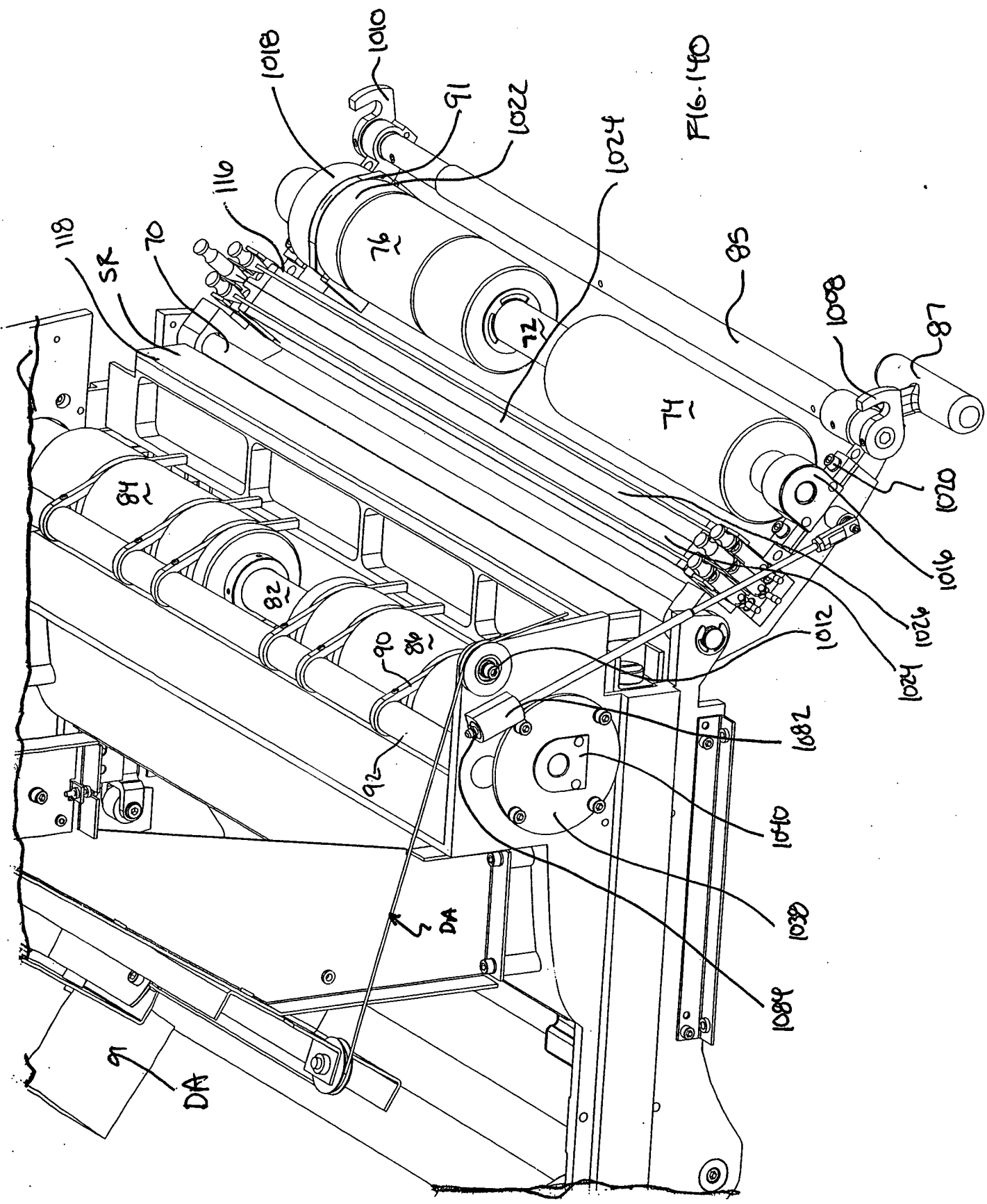


FIG. 139



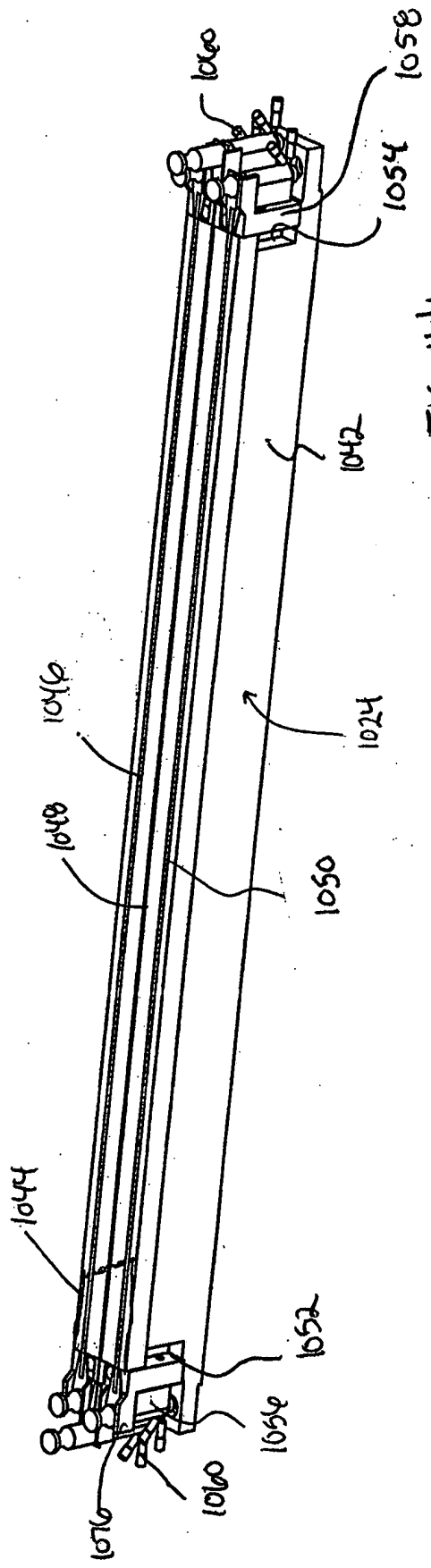


FIG. 141

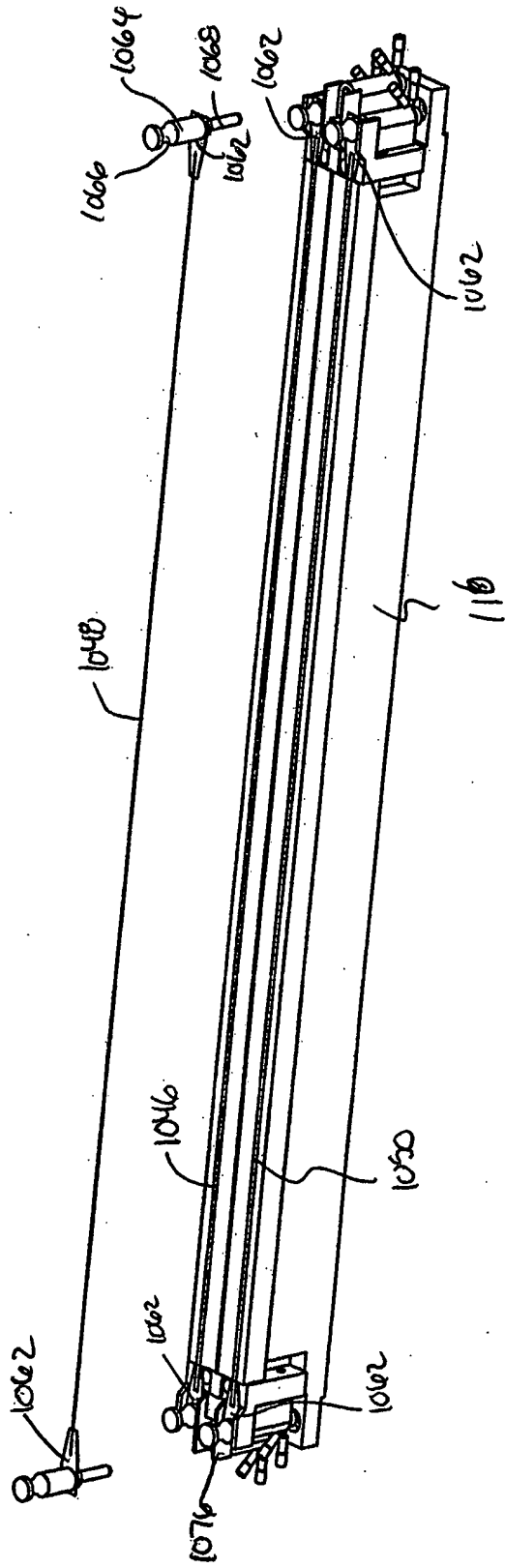


FIG 142

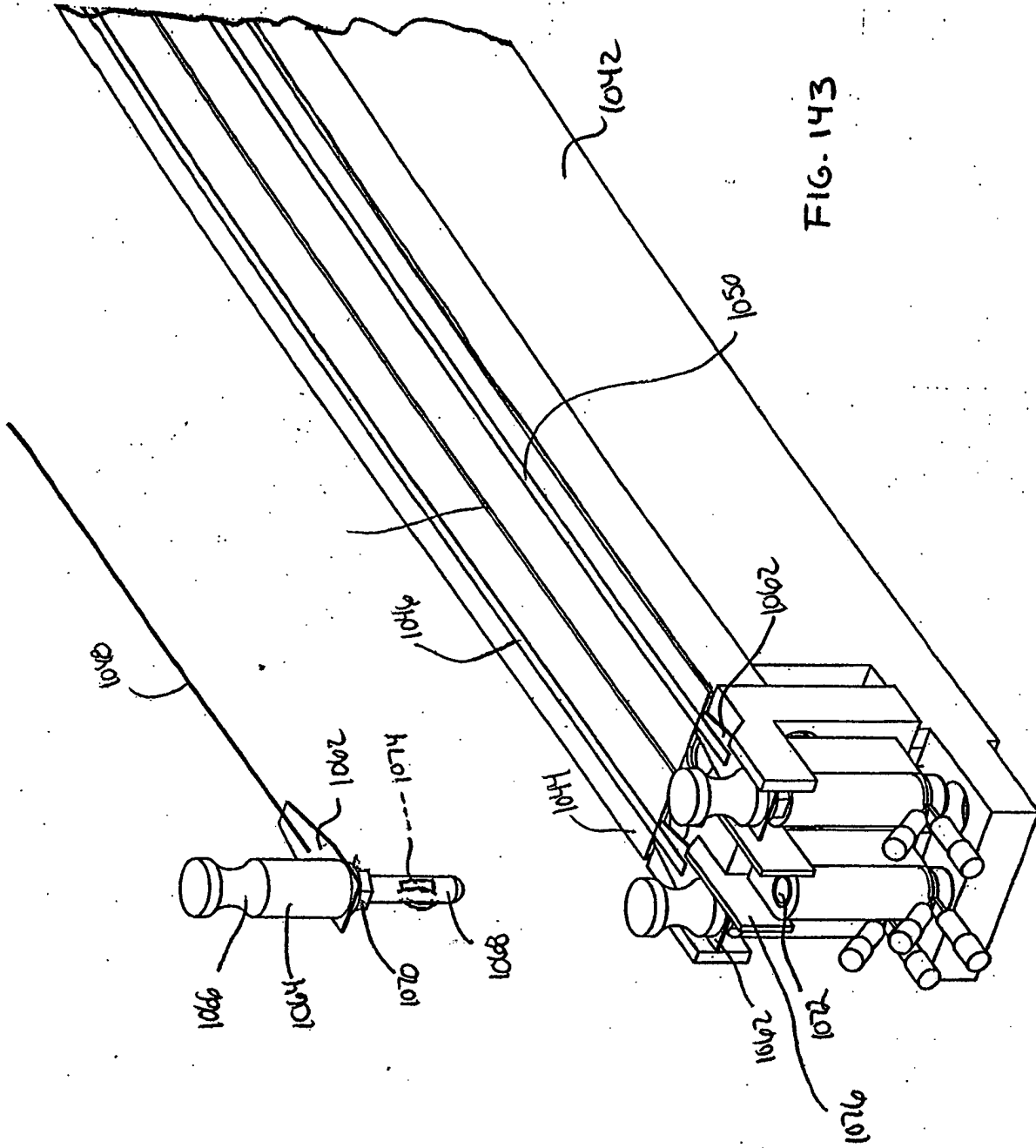


FIG. 143

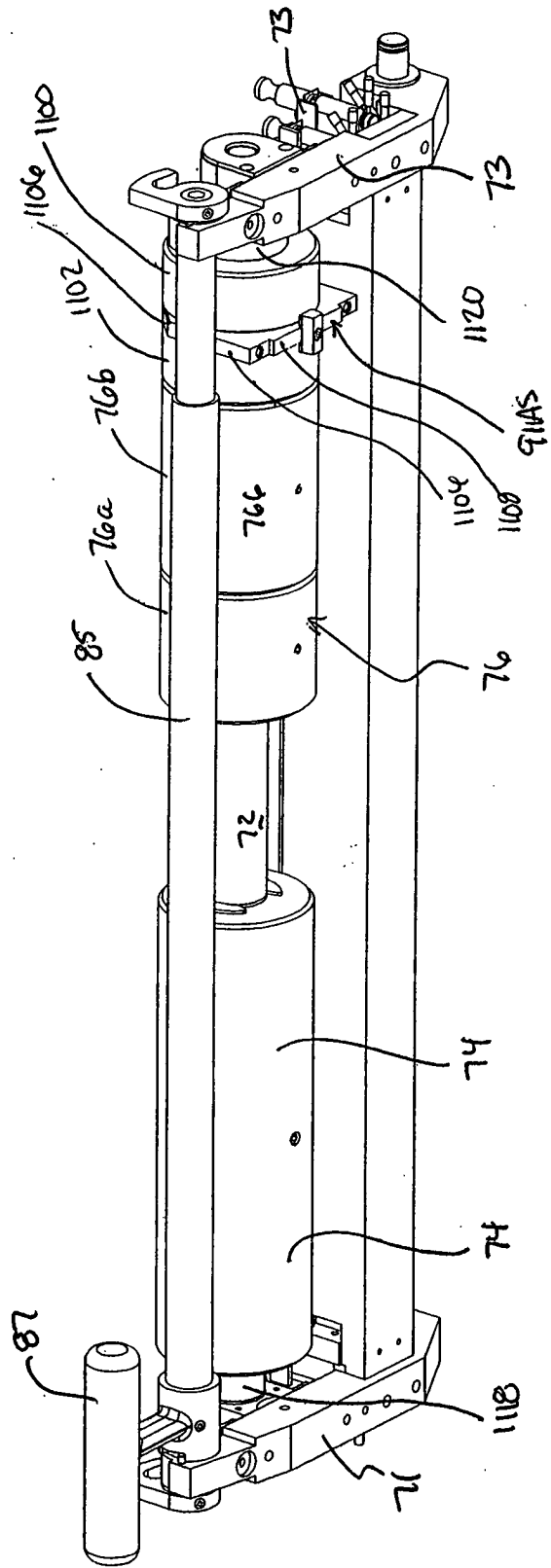


FIG. 144

FIG. 146

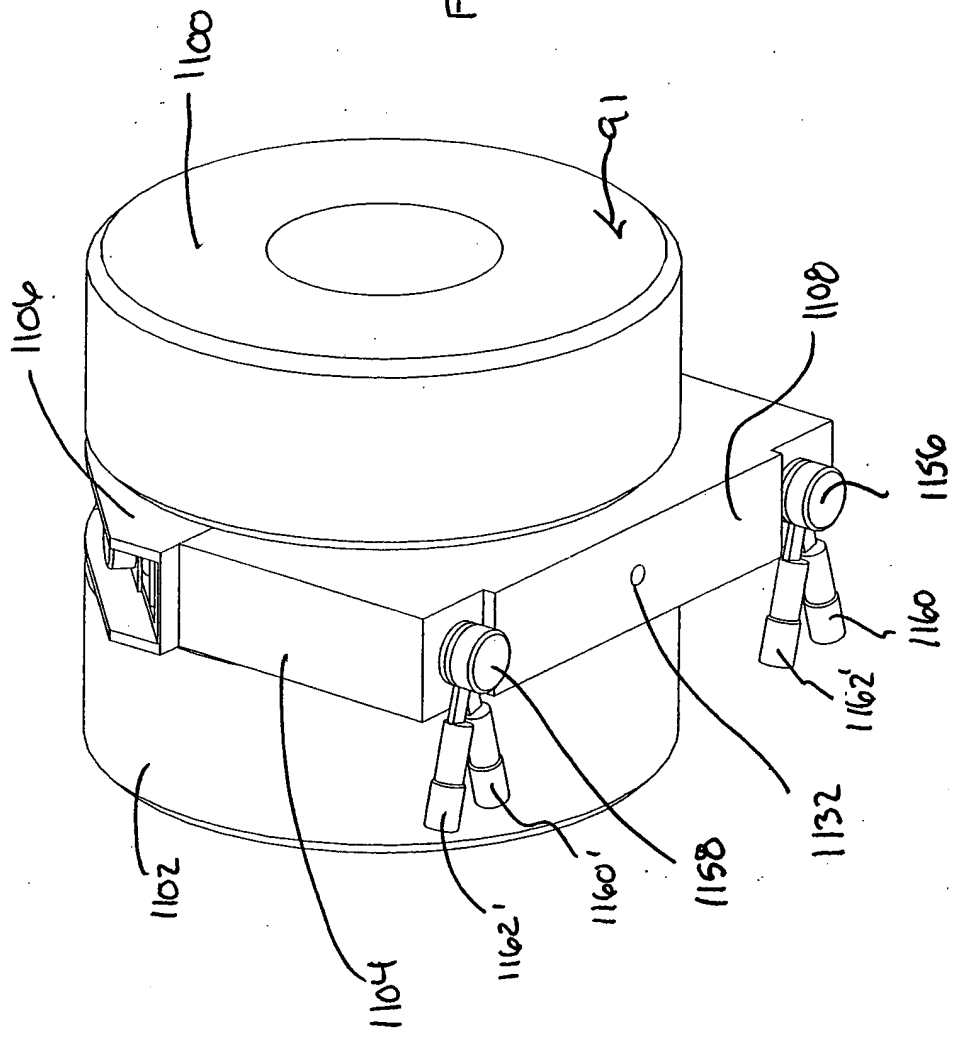


FIG. 146A

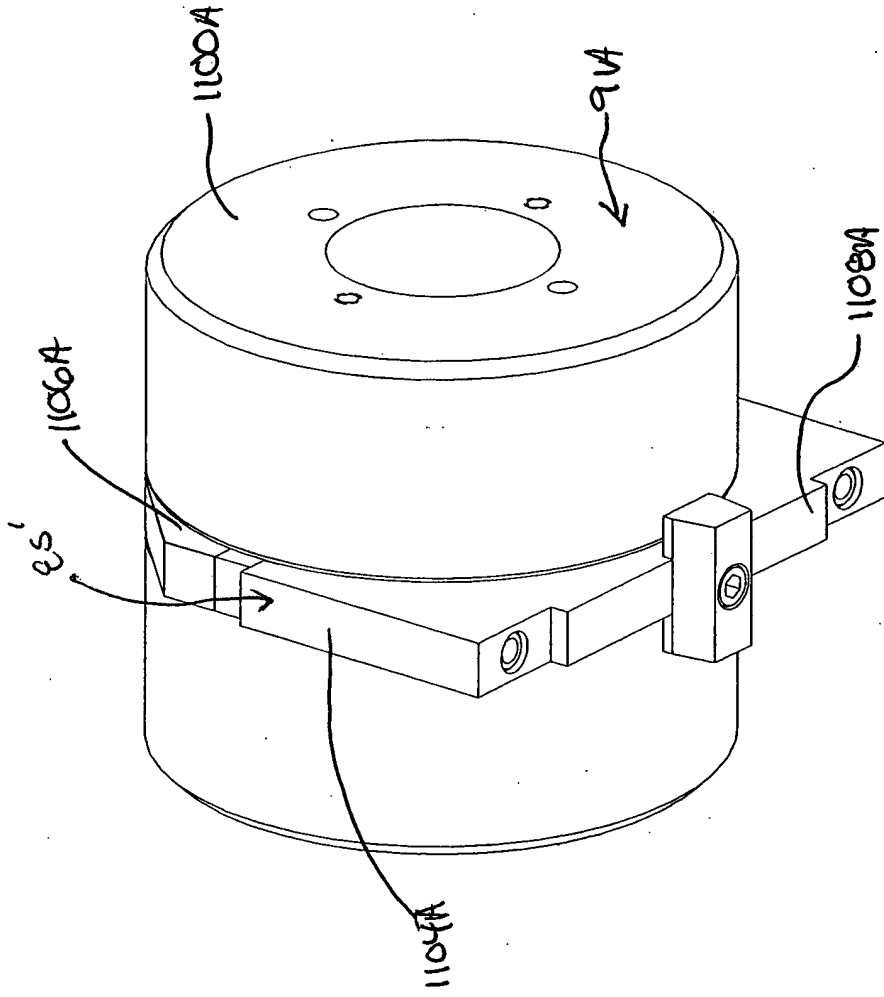


FIG. 147

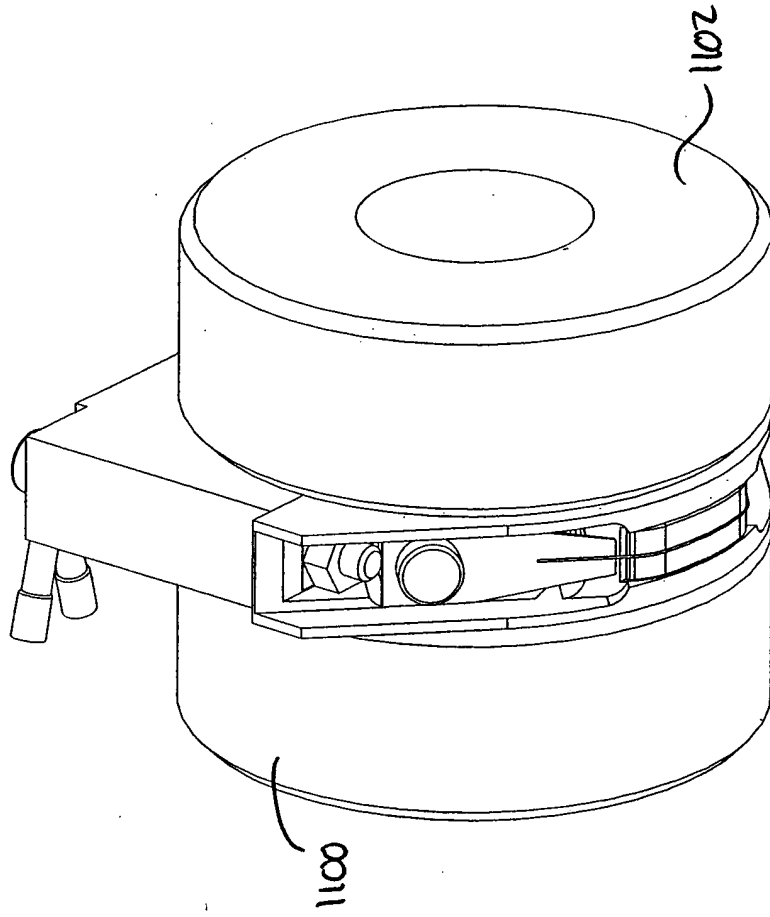


FIG. 147A

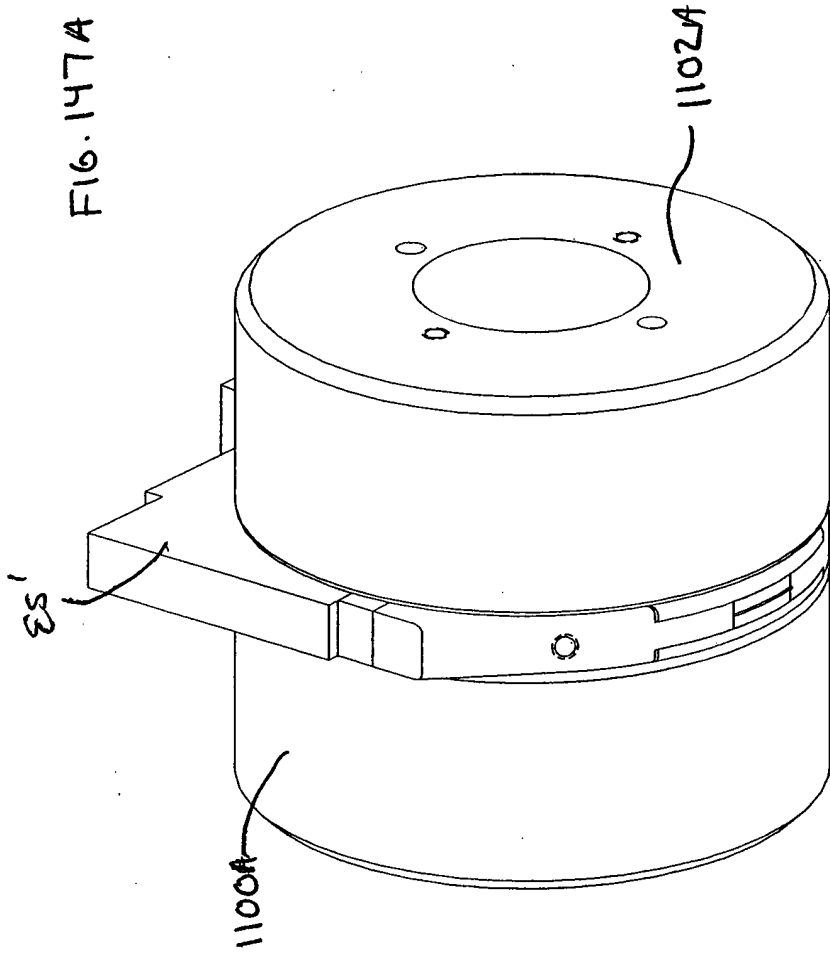


FIG. 148

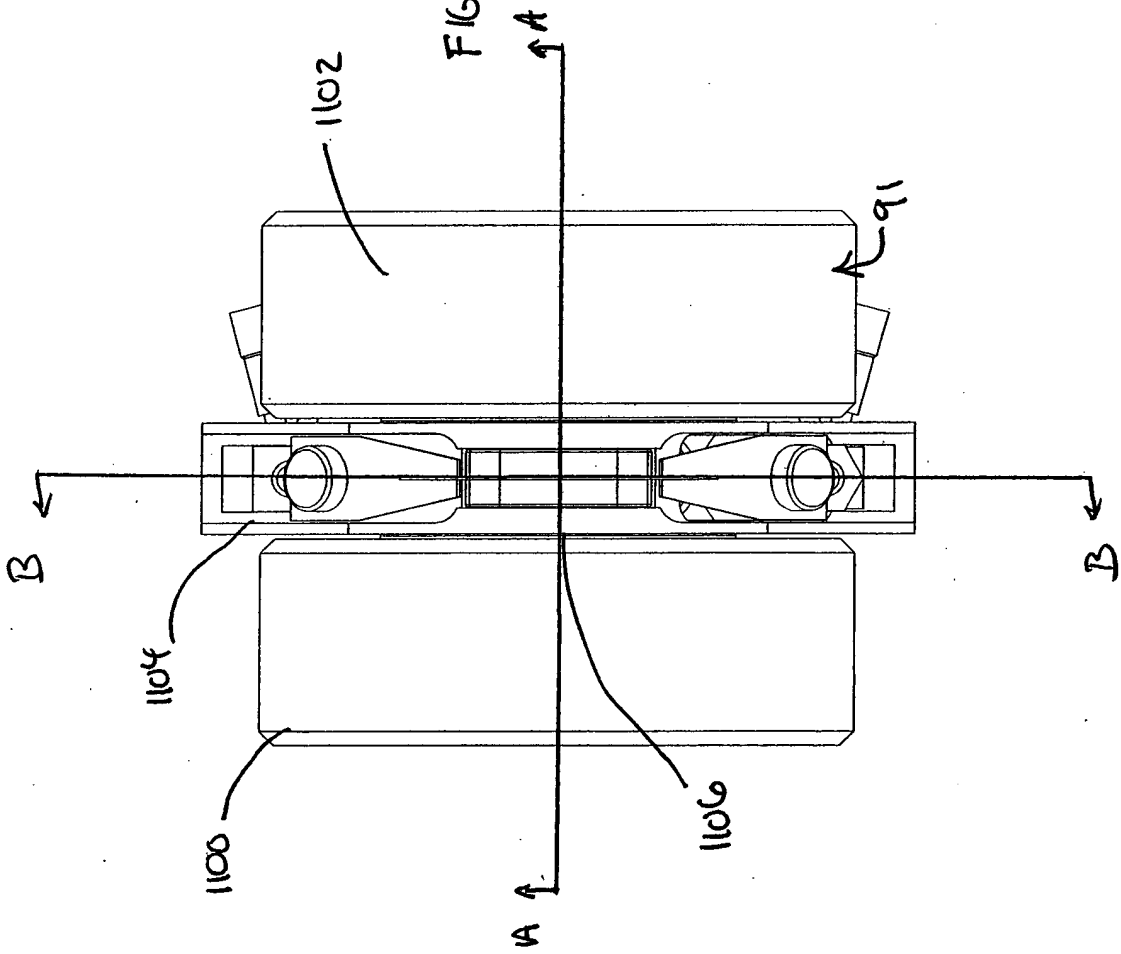
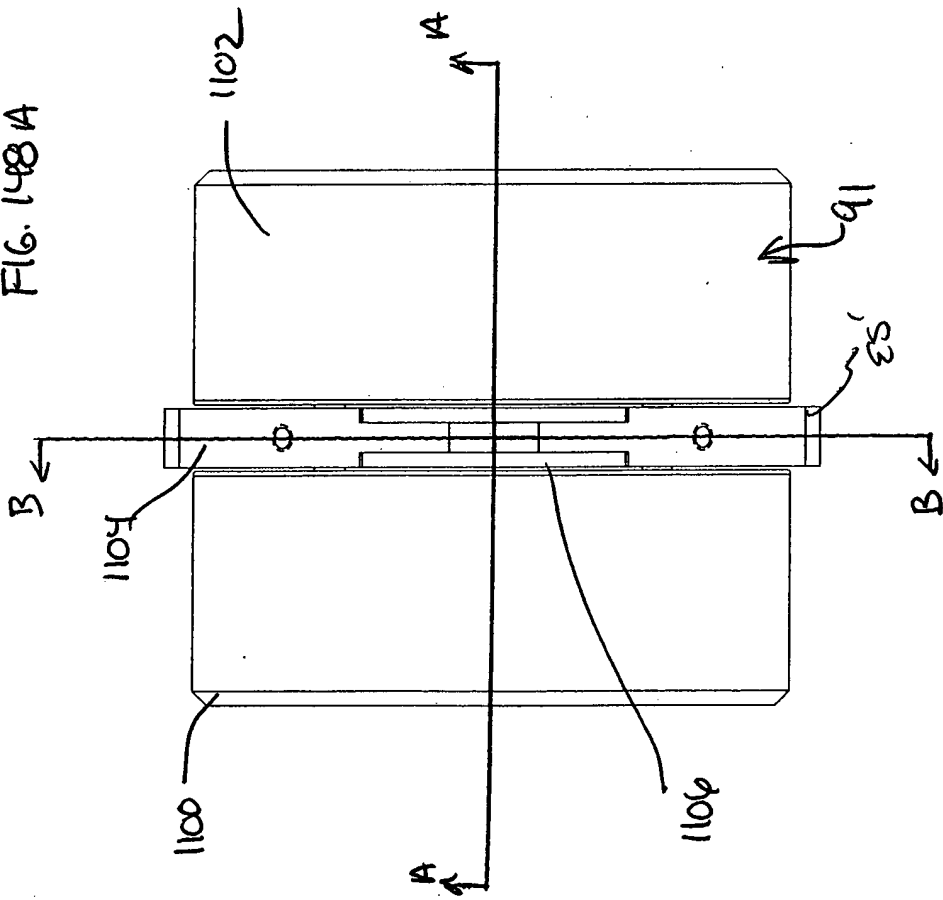


FIG. 148A



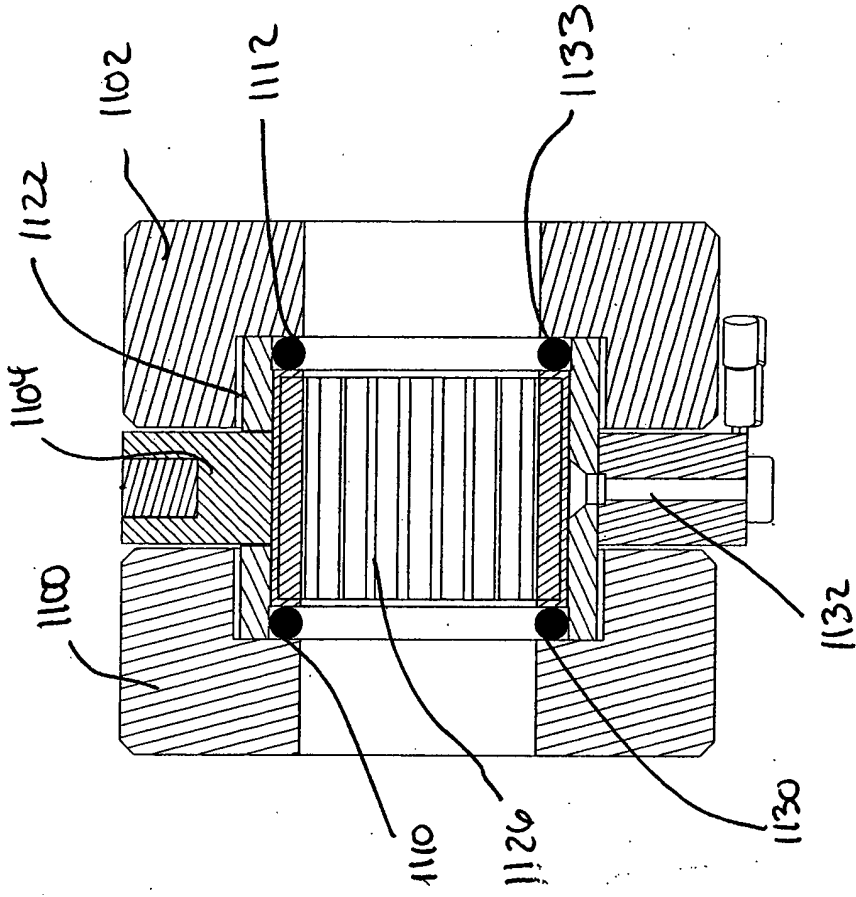


FIG. 149

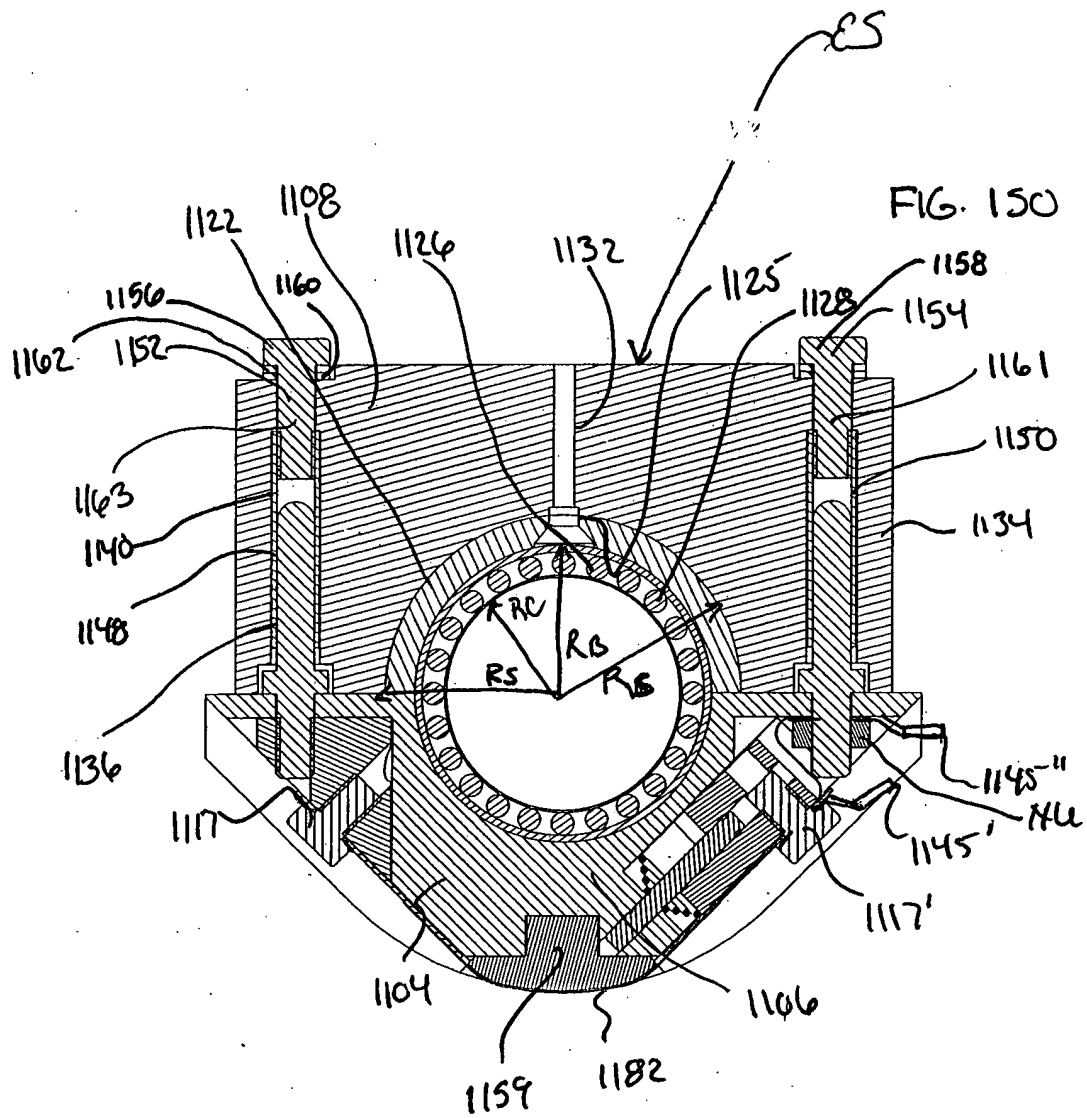


FIG. 1501A

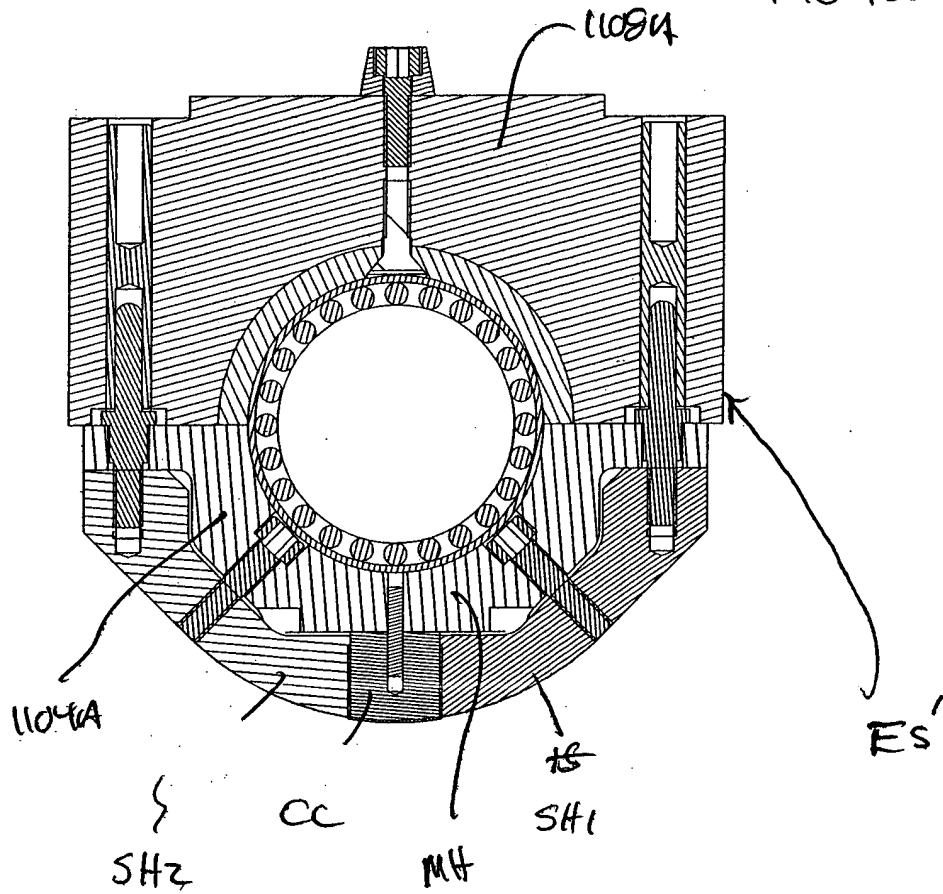
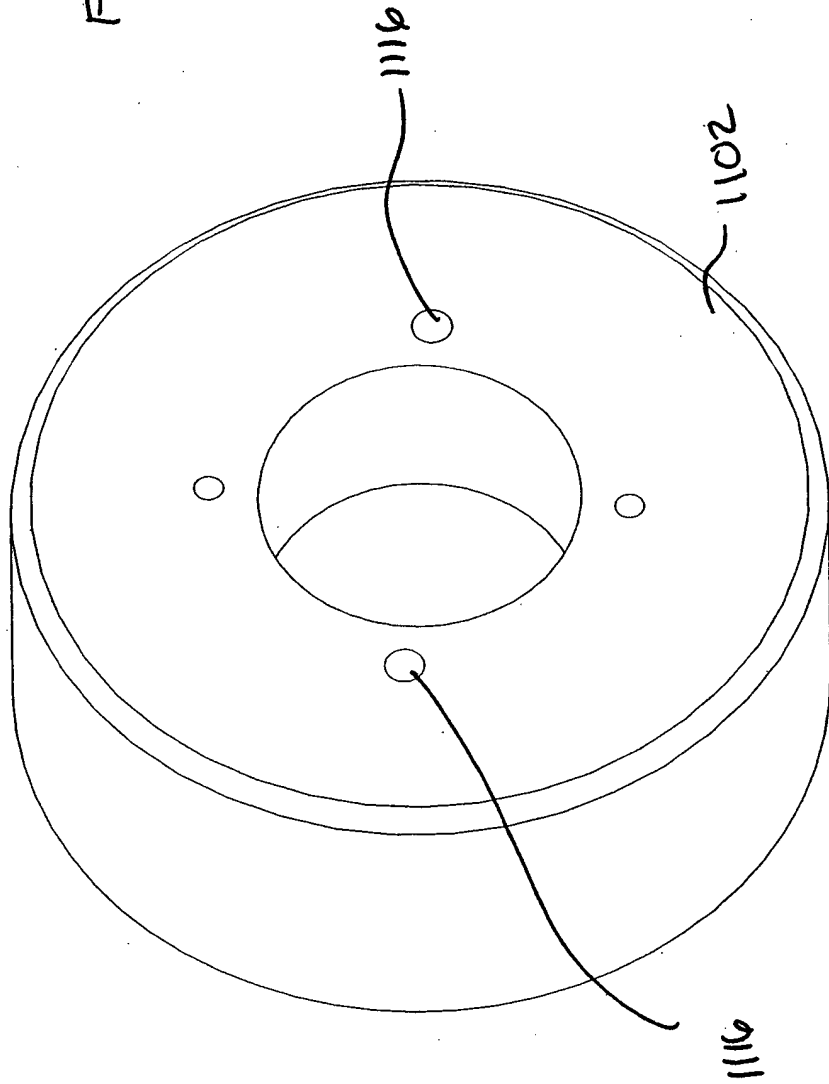


FIG. 151



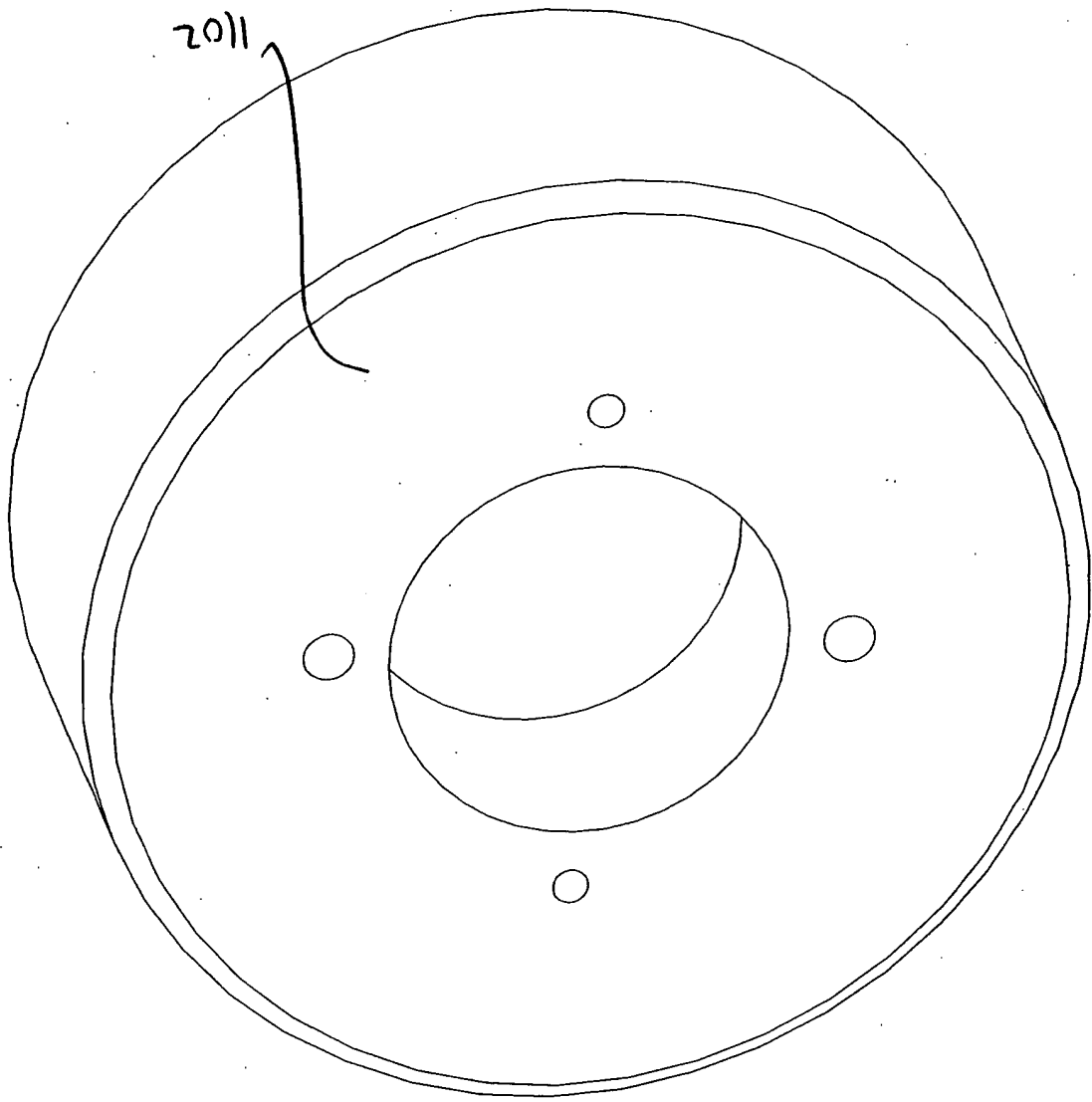
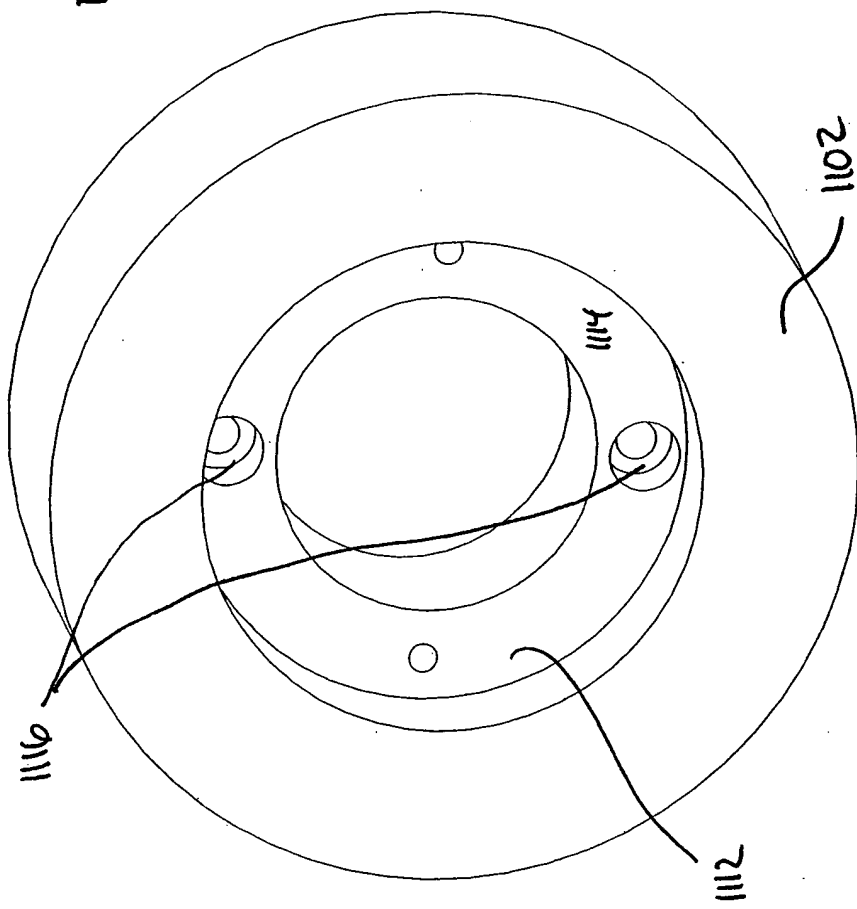


FIG. 151A

FIG. 152



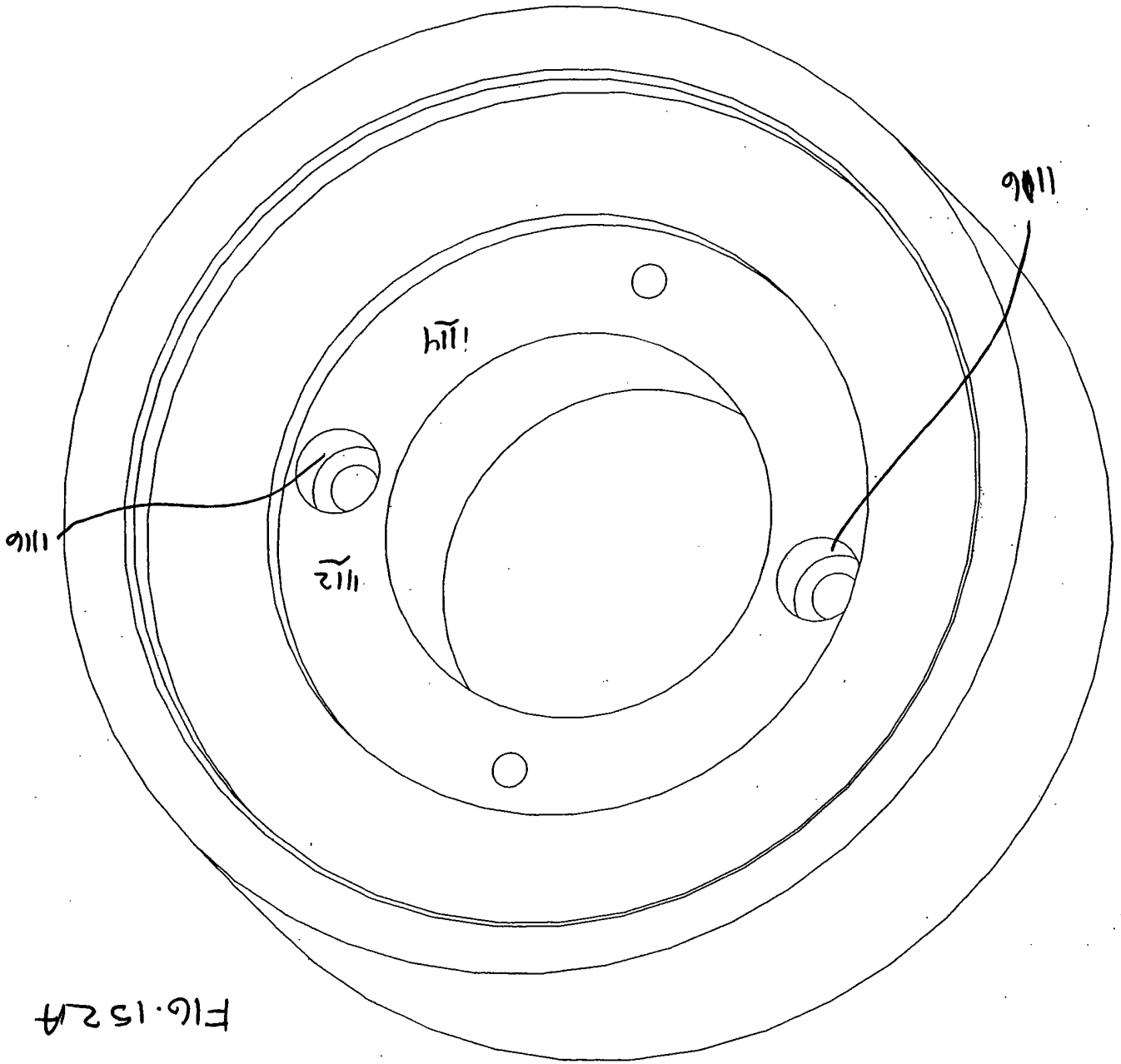


FIG. 152A

FIG. 153

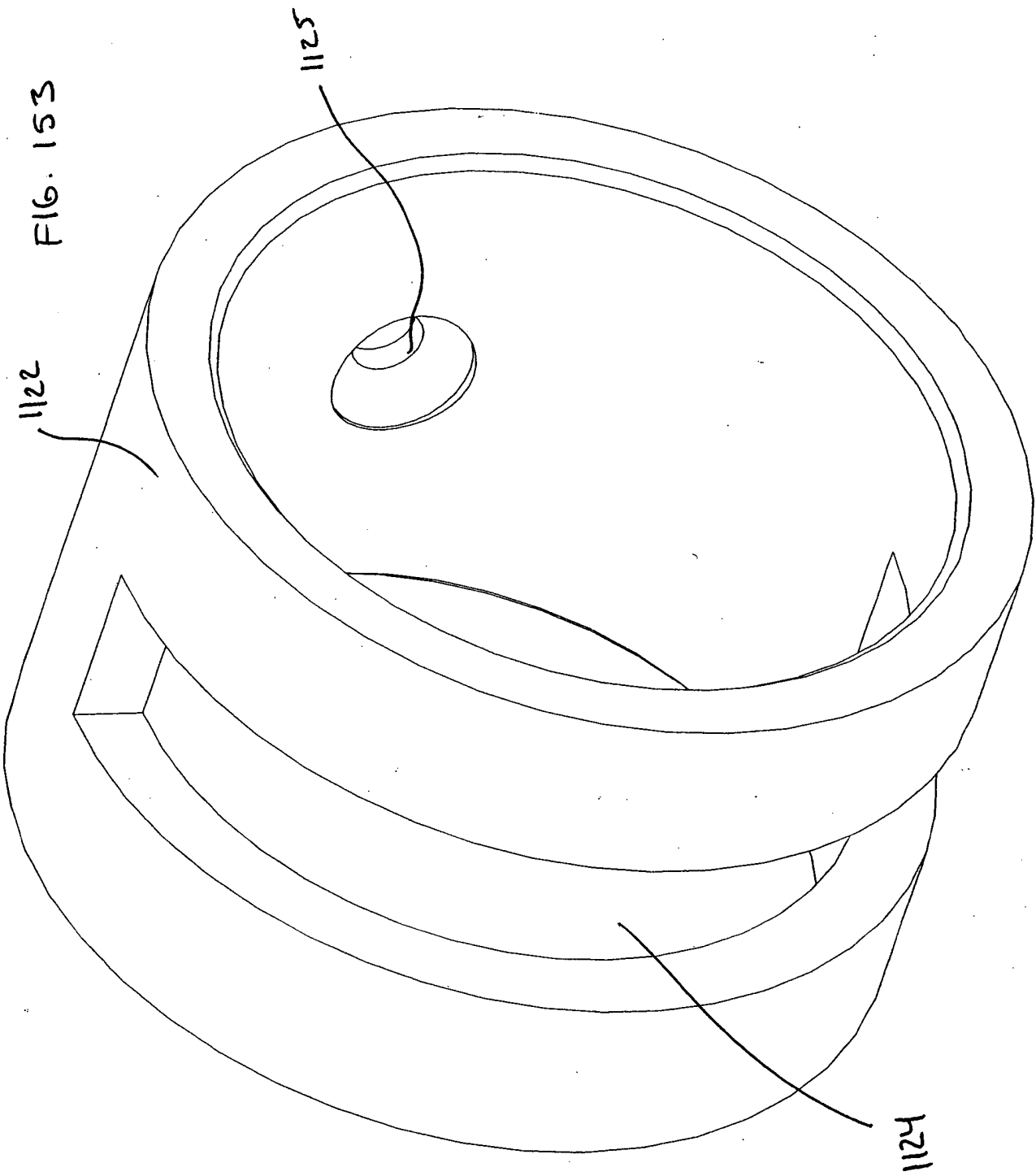


FIG. 154

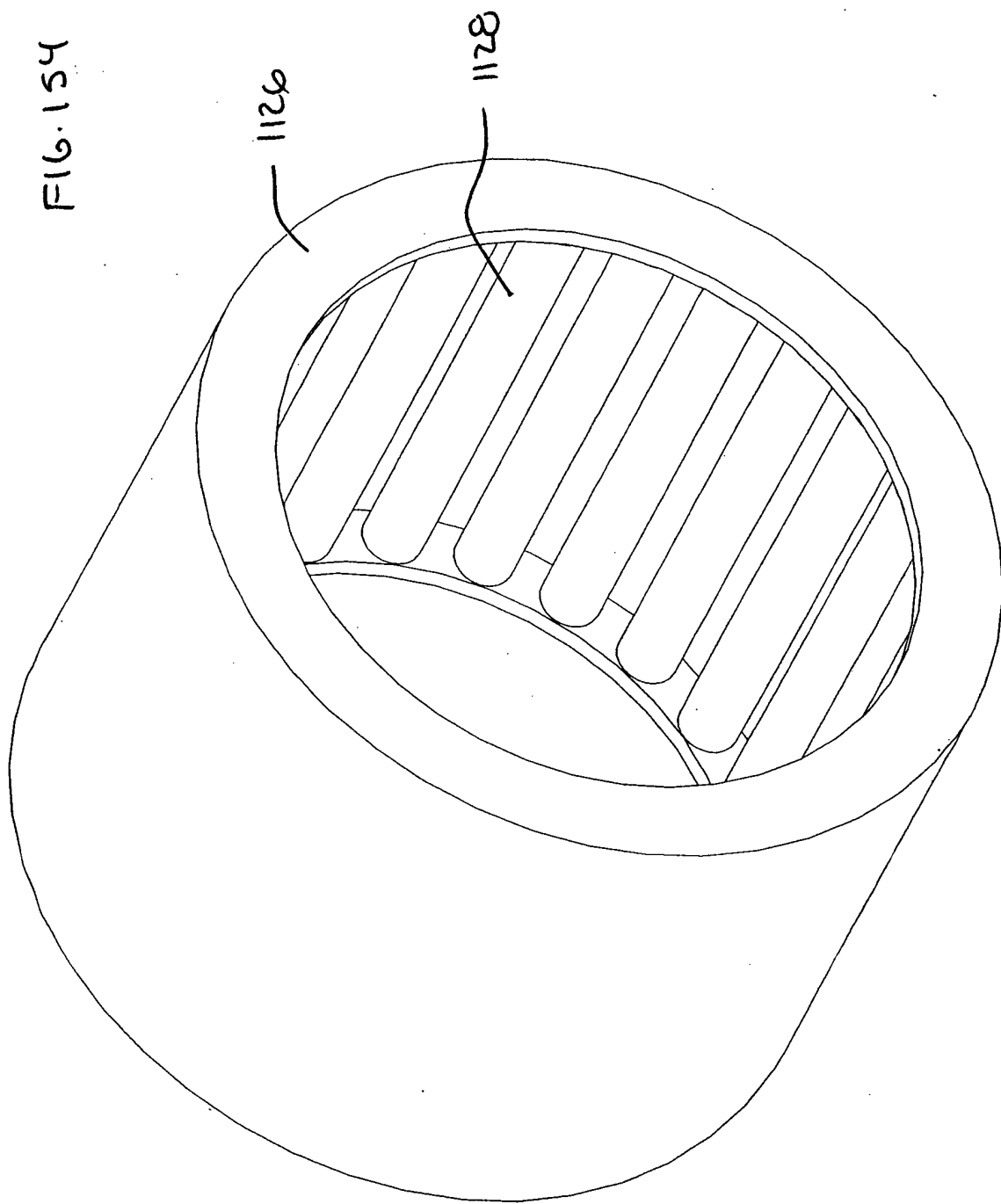
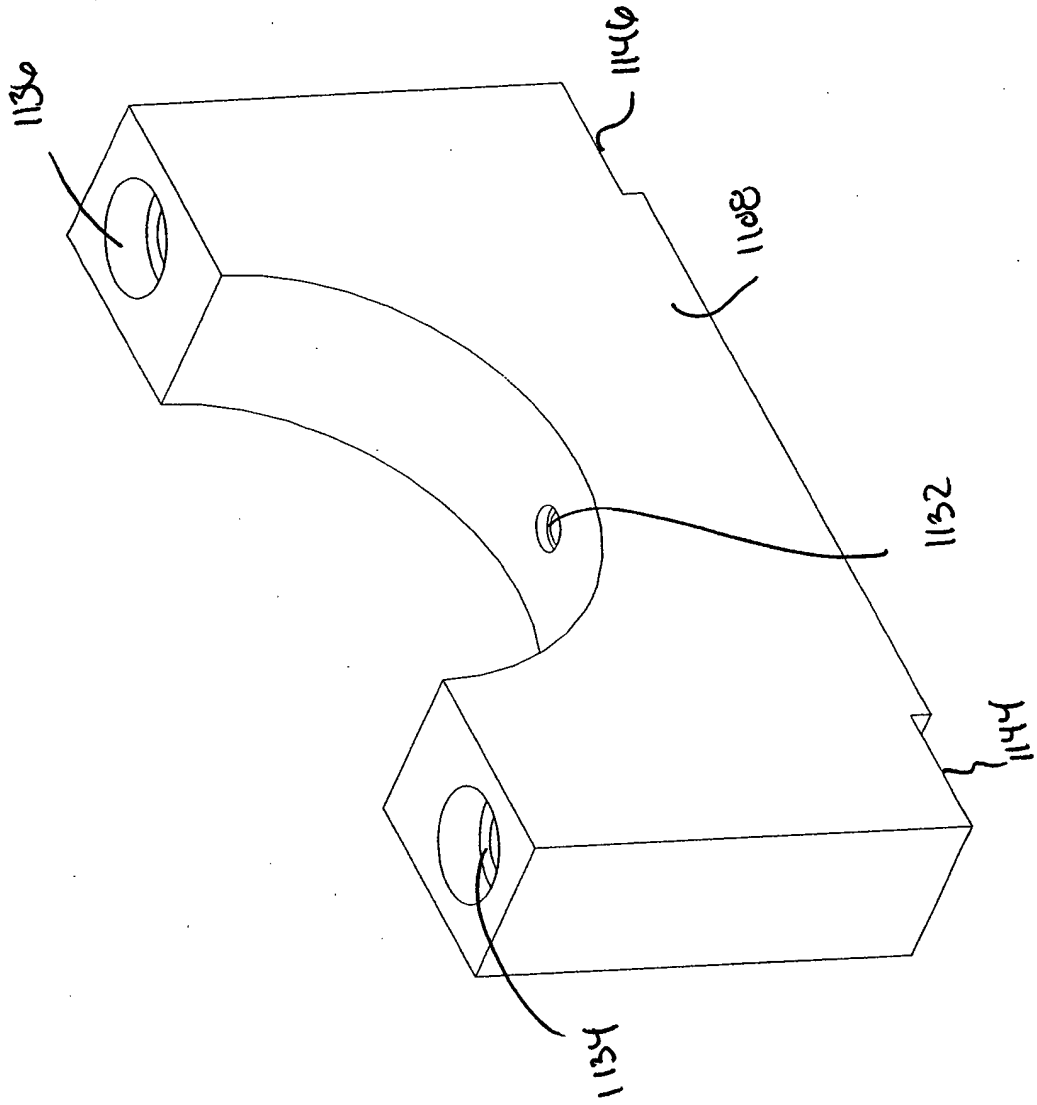


FIG. 155



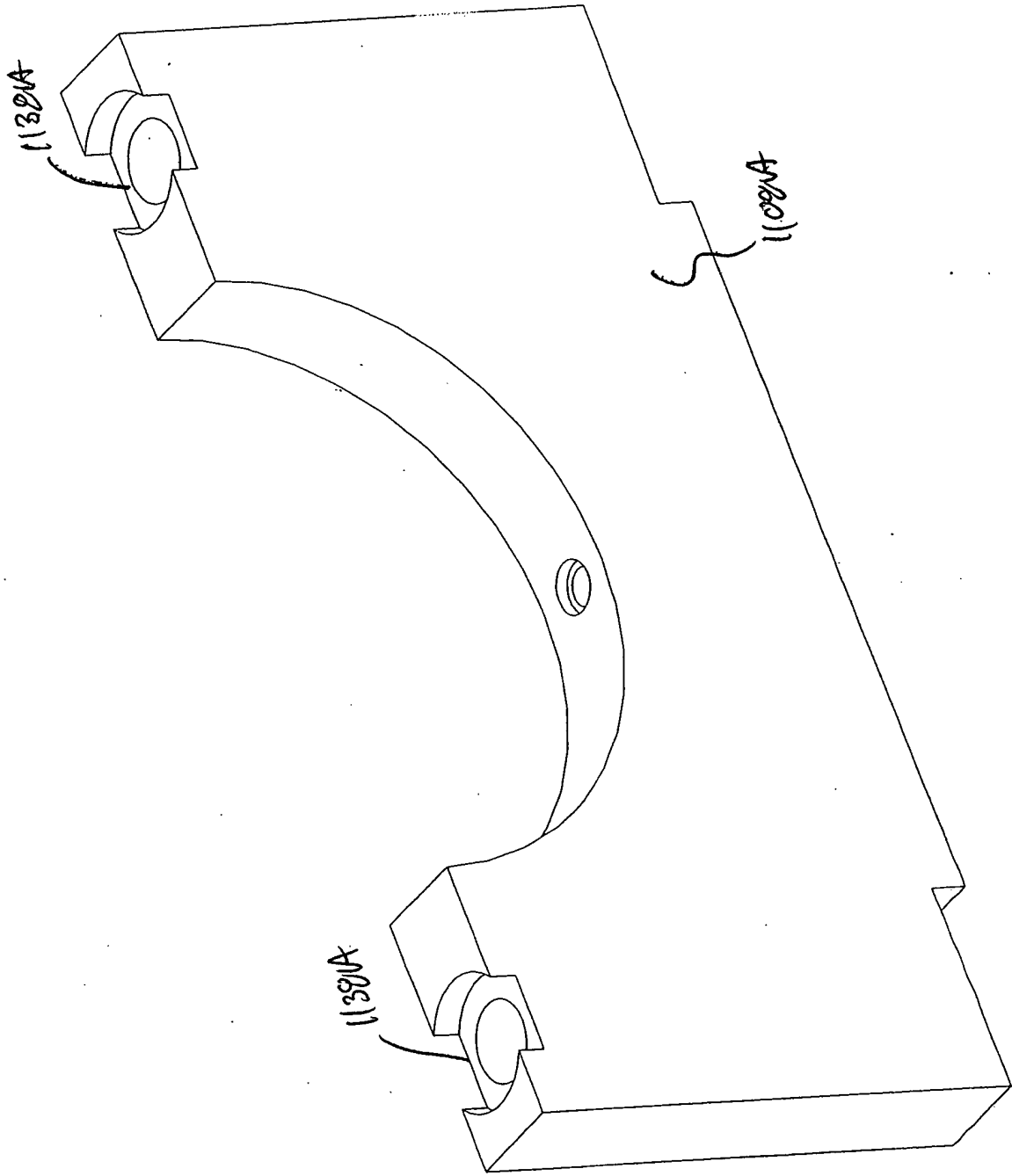


FIG. 1551A

FIG. 15C

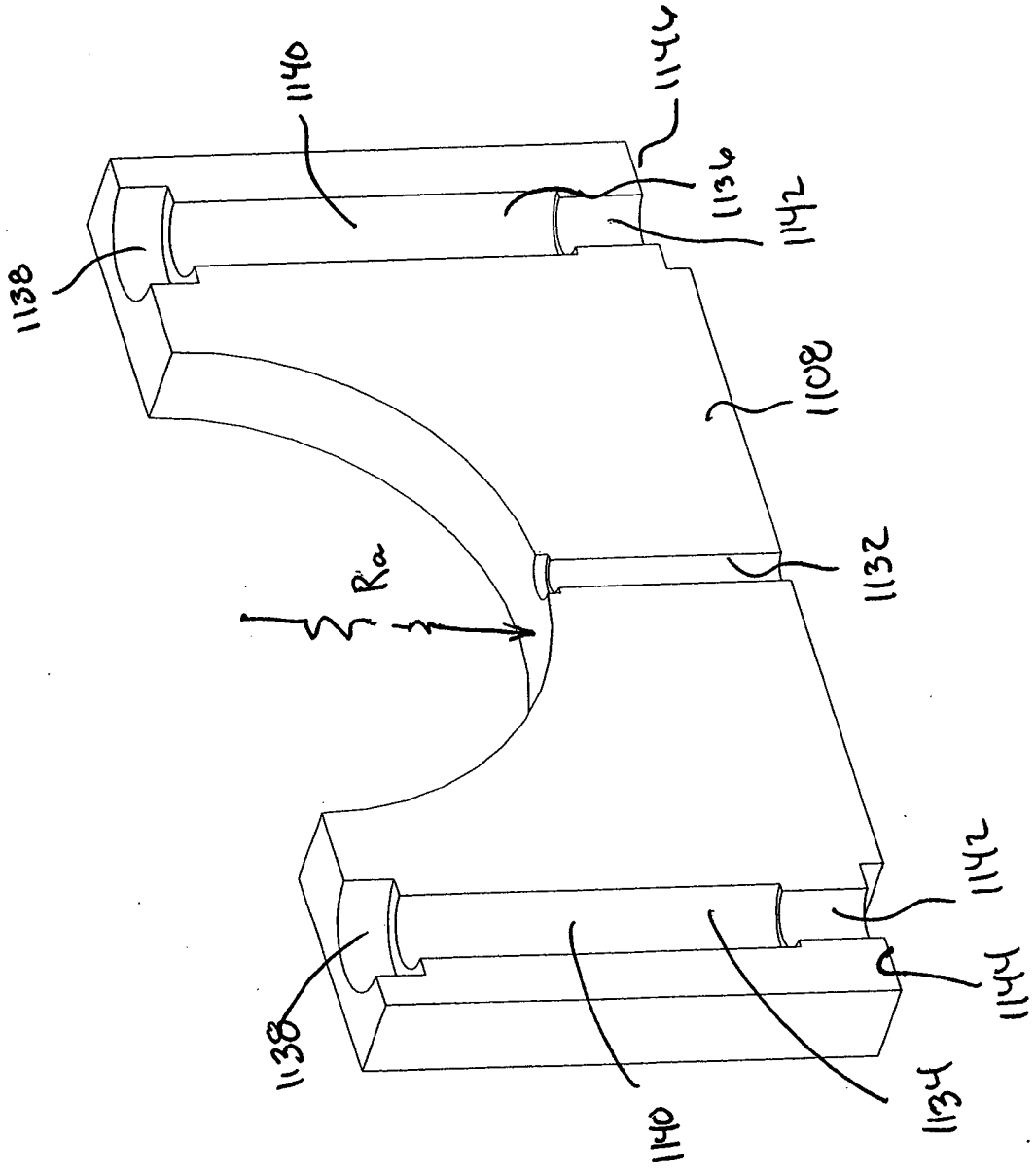


FIG. 156A

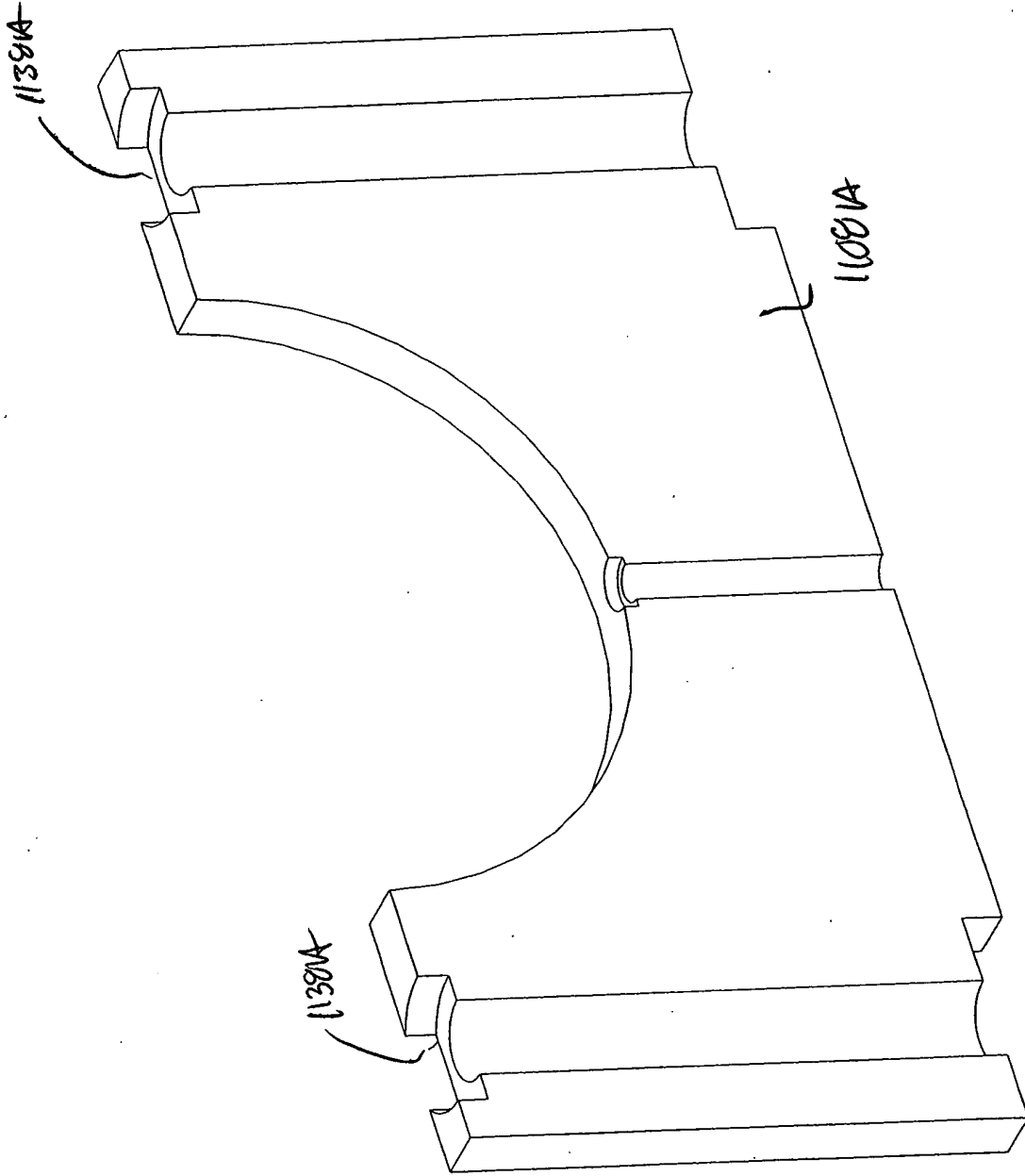
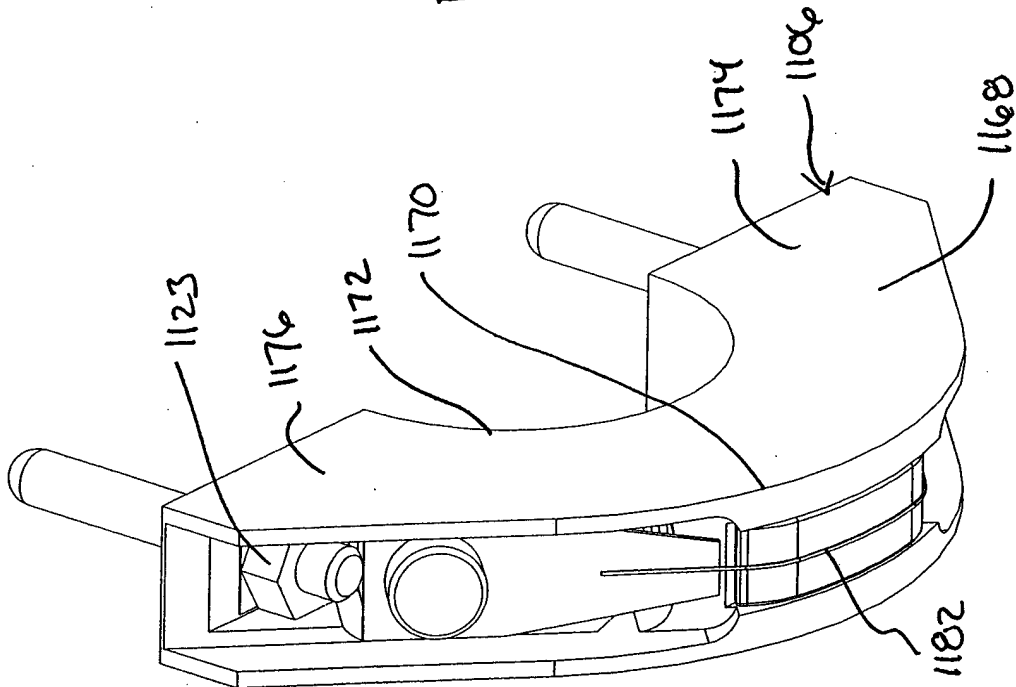


FIG. 157



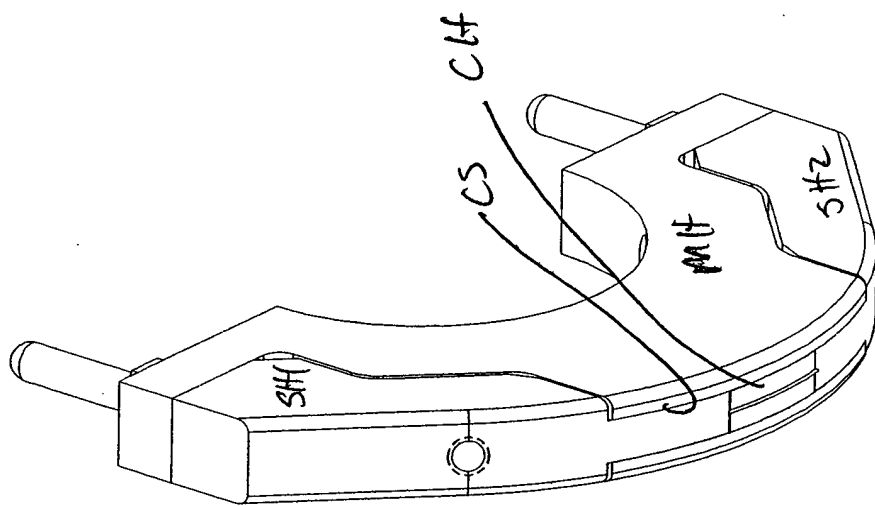
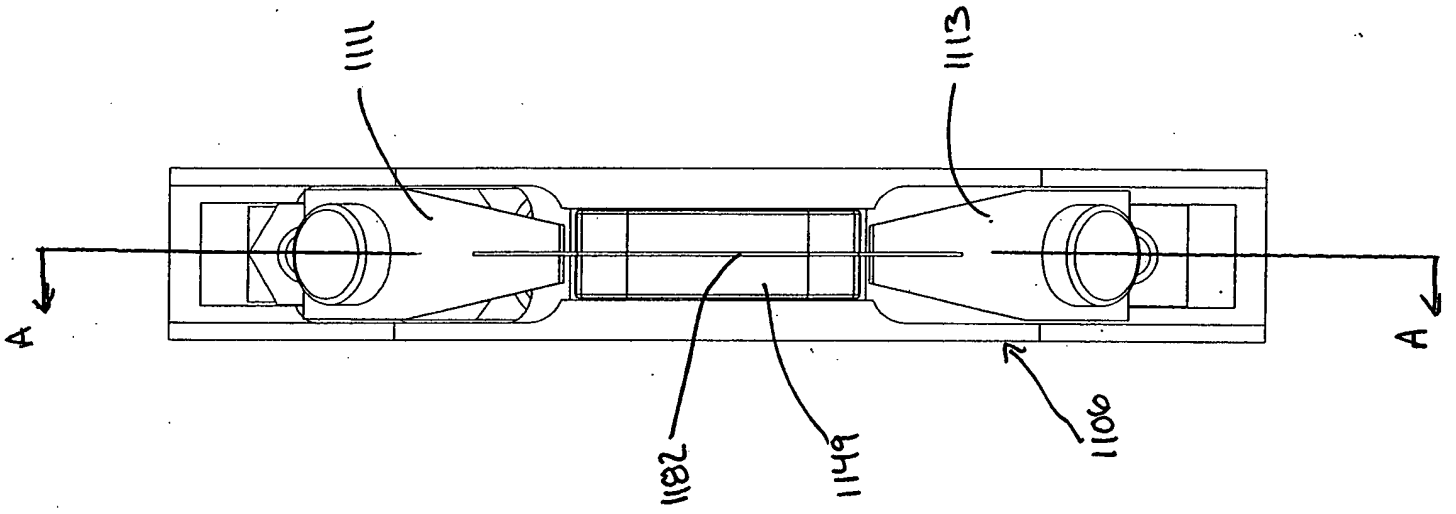


FIG. 157A

FIG. 158



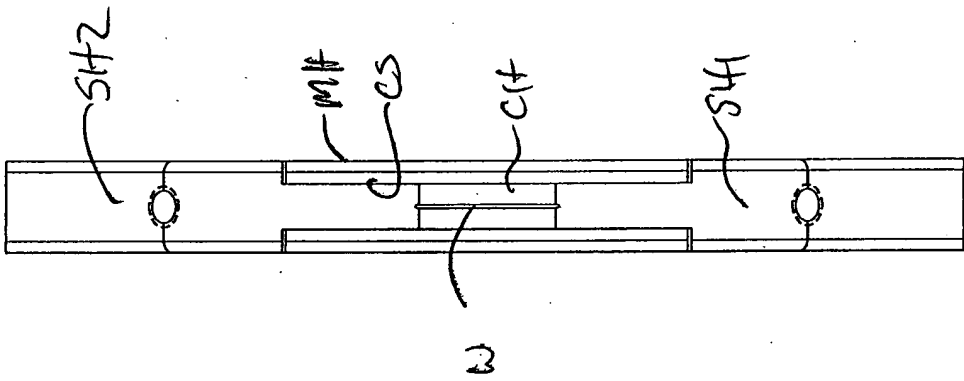


FIG. 158A

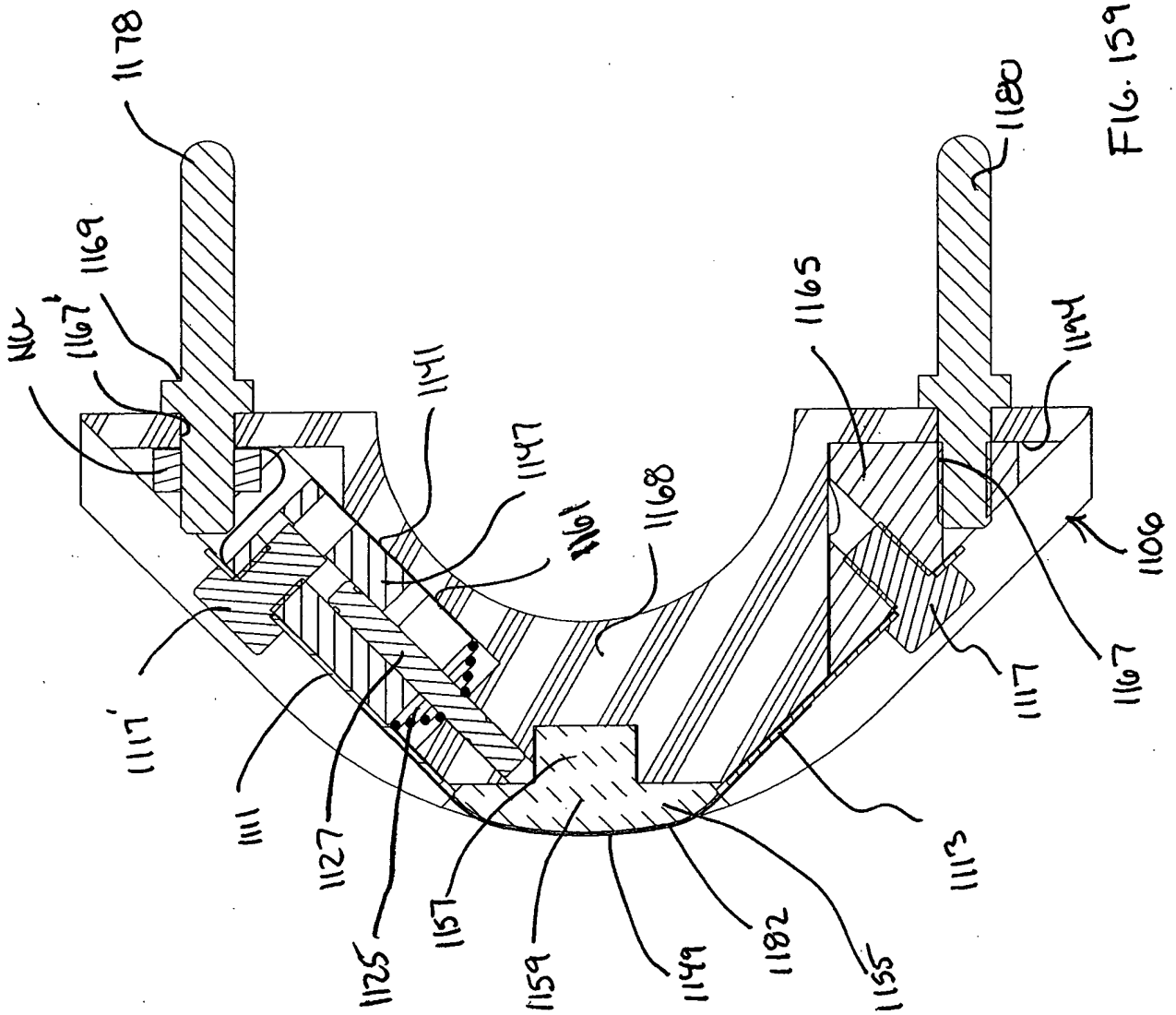


FIG. 159

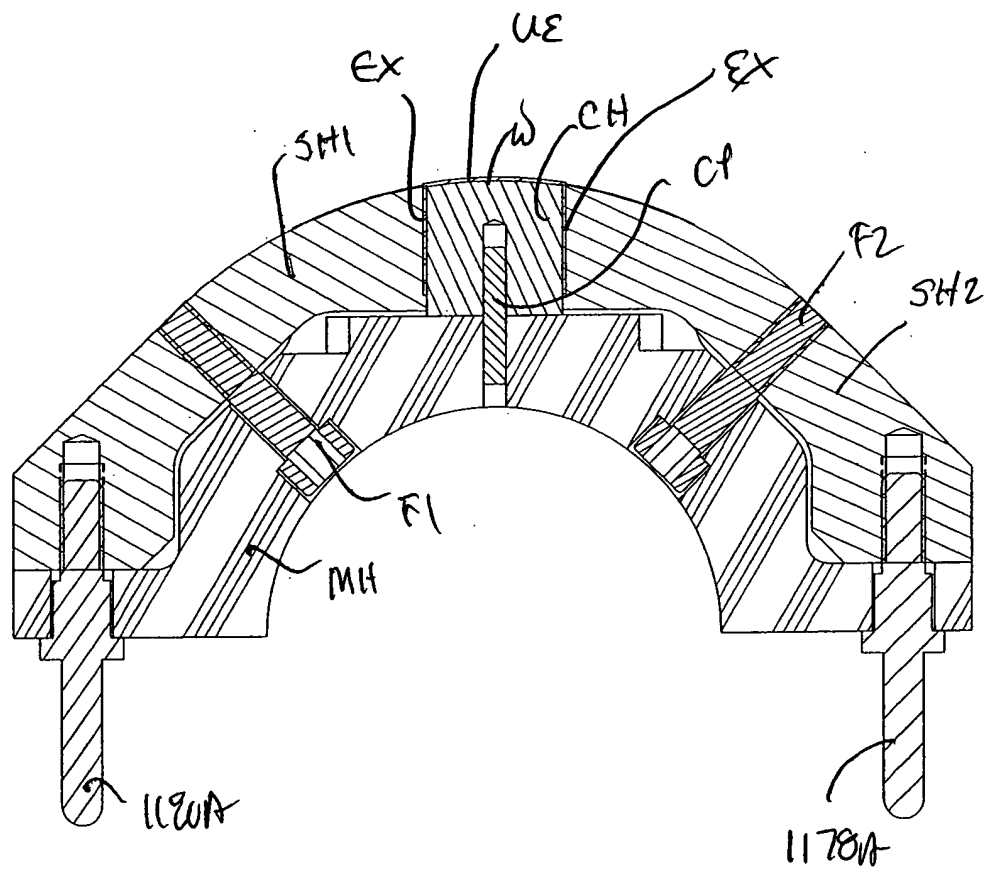


FIG-159A

FIG. 160

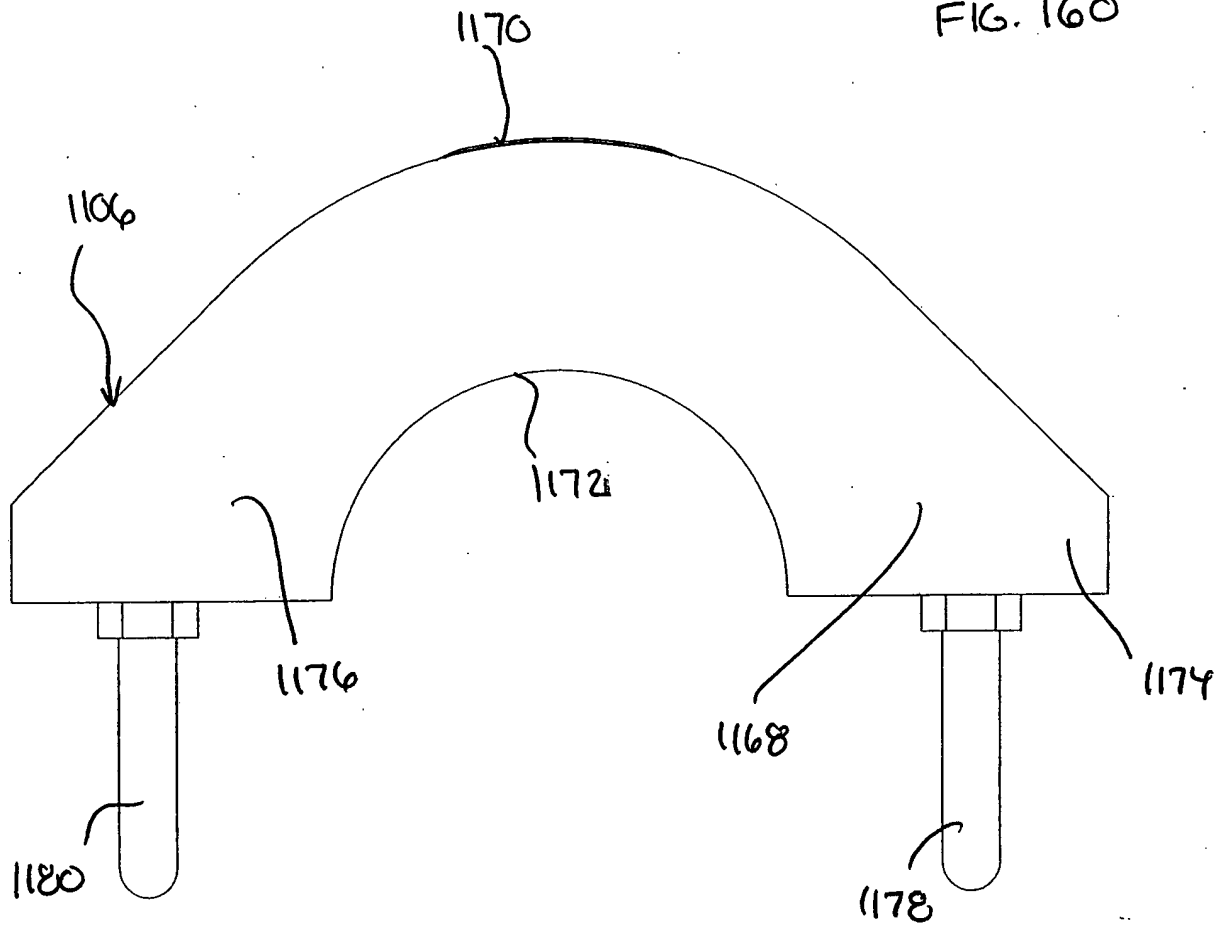
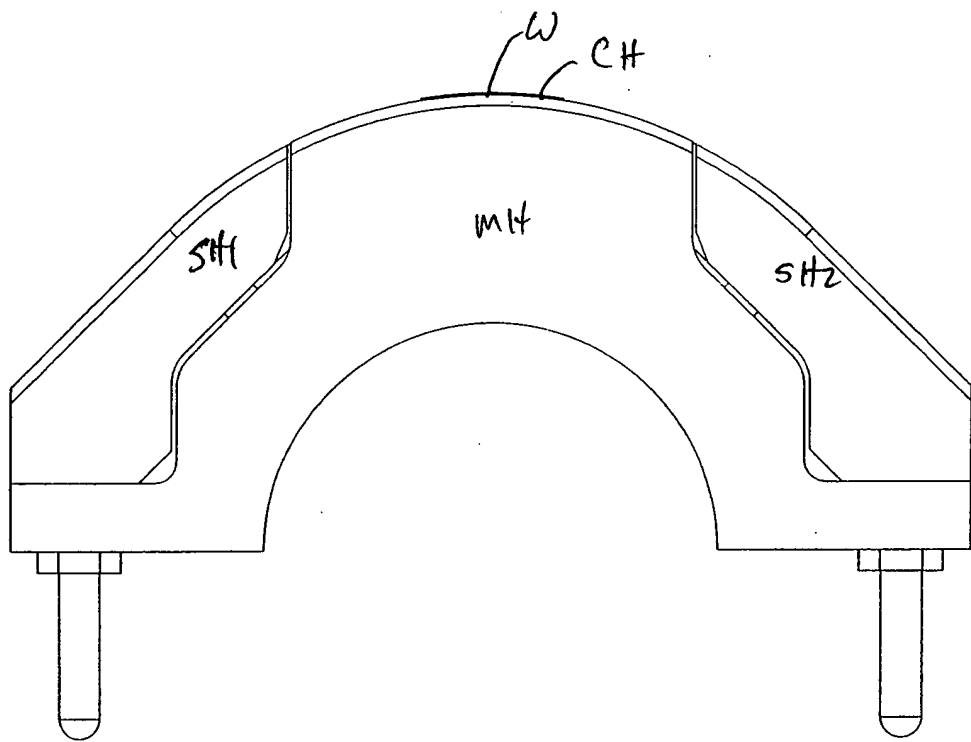


FIG. 1601A



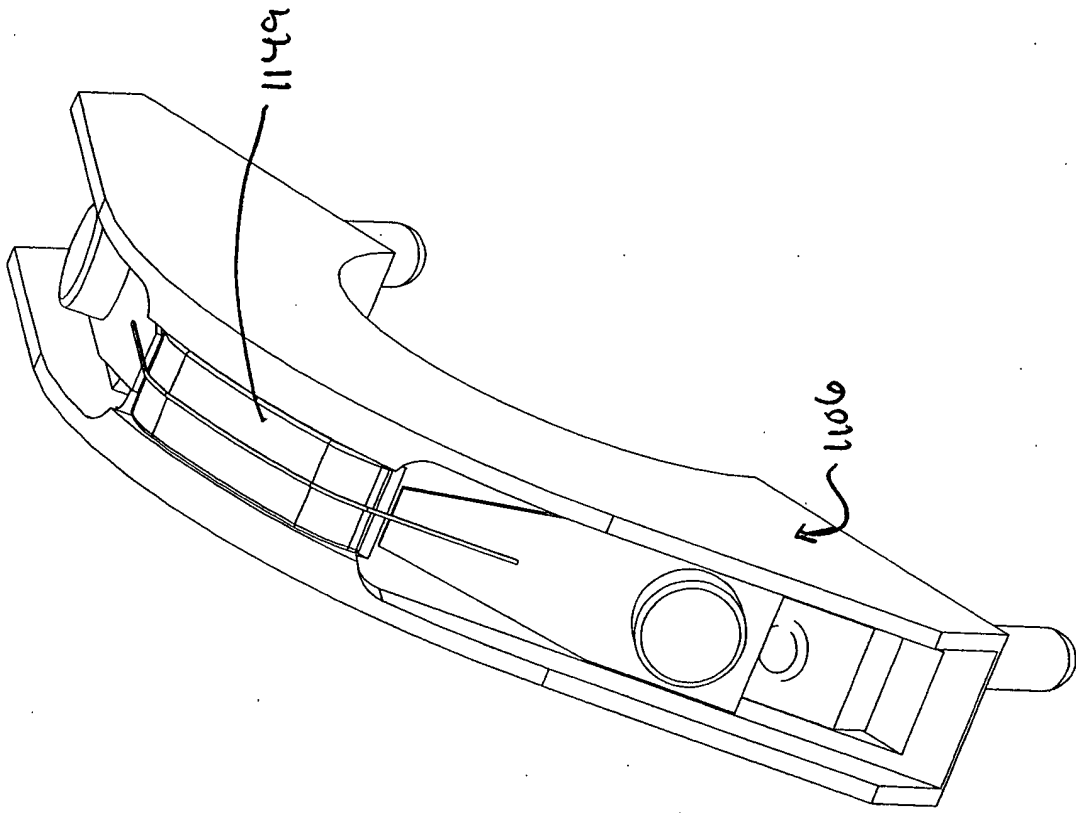


FIG. 161

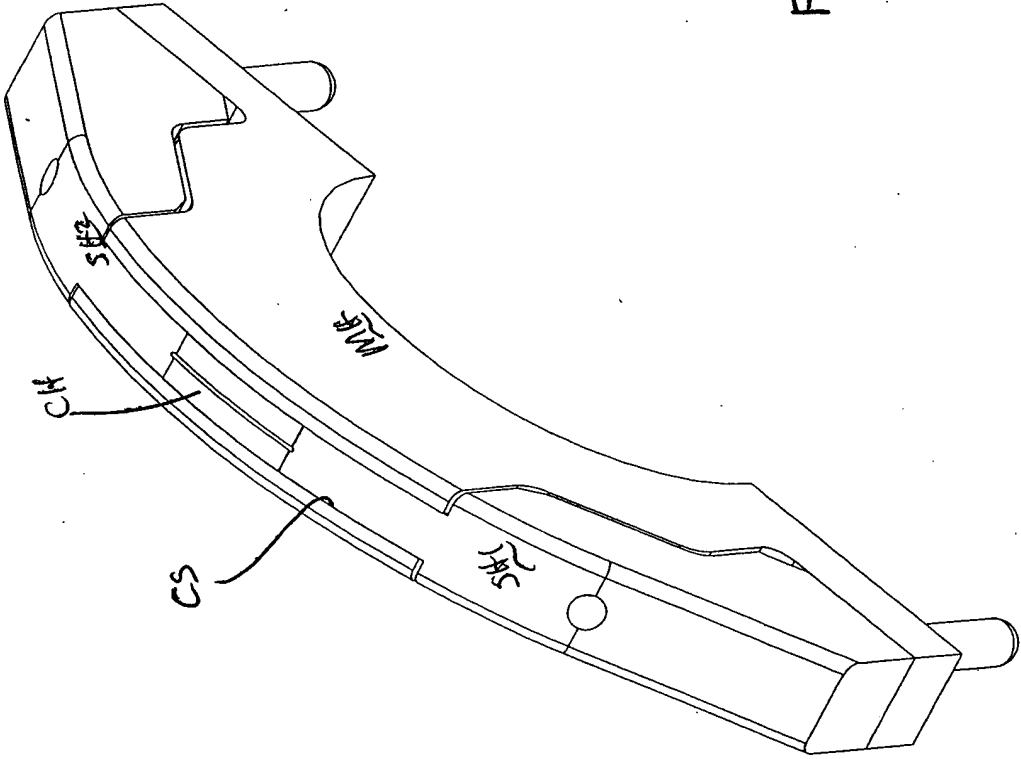


FIG. 161A

FIG. 162

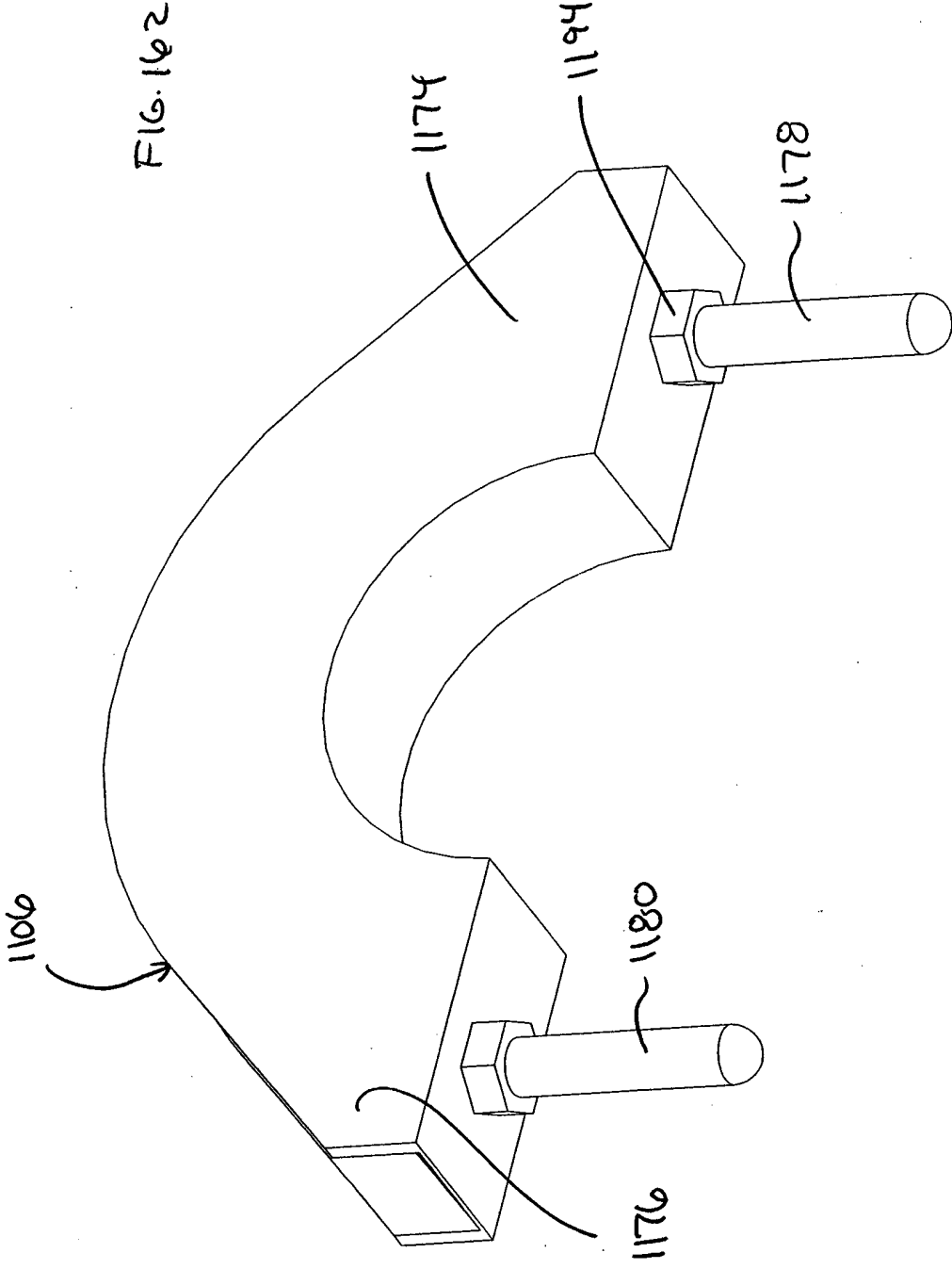
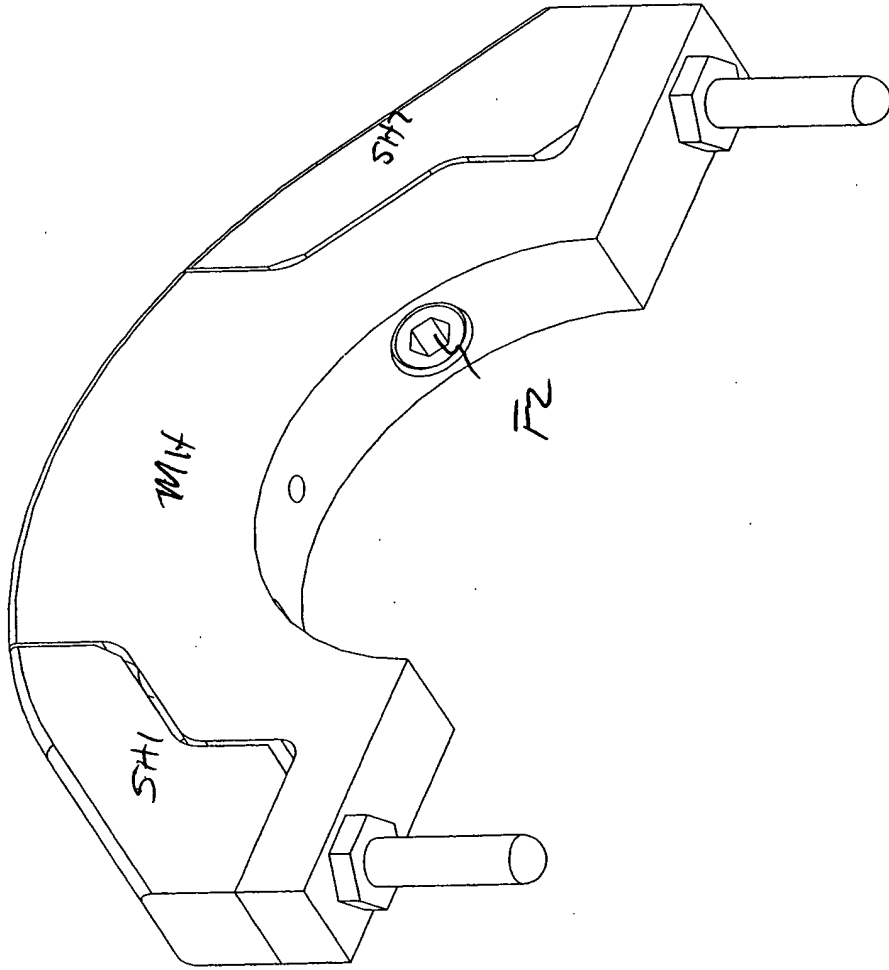


FIG. 162A



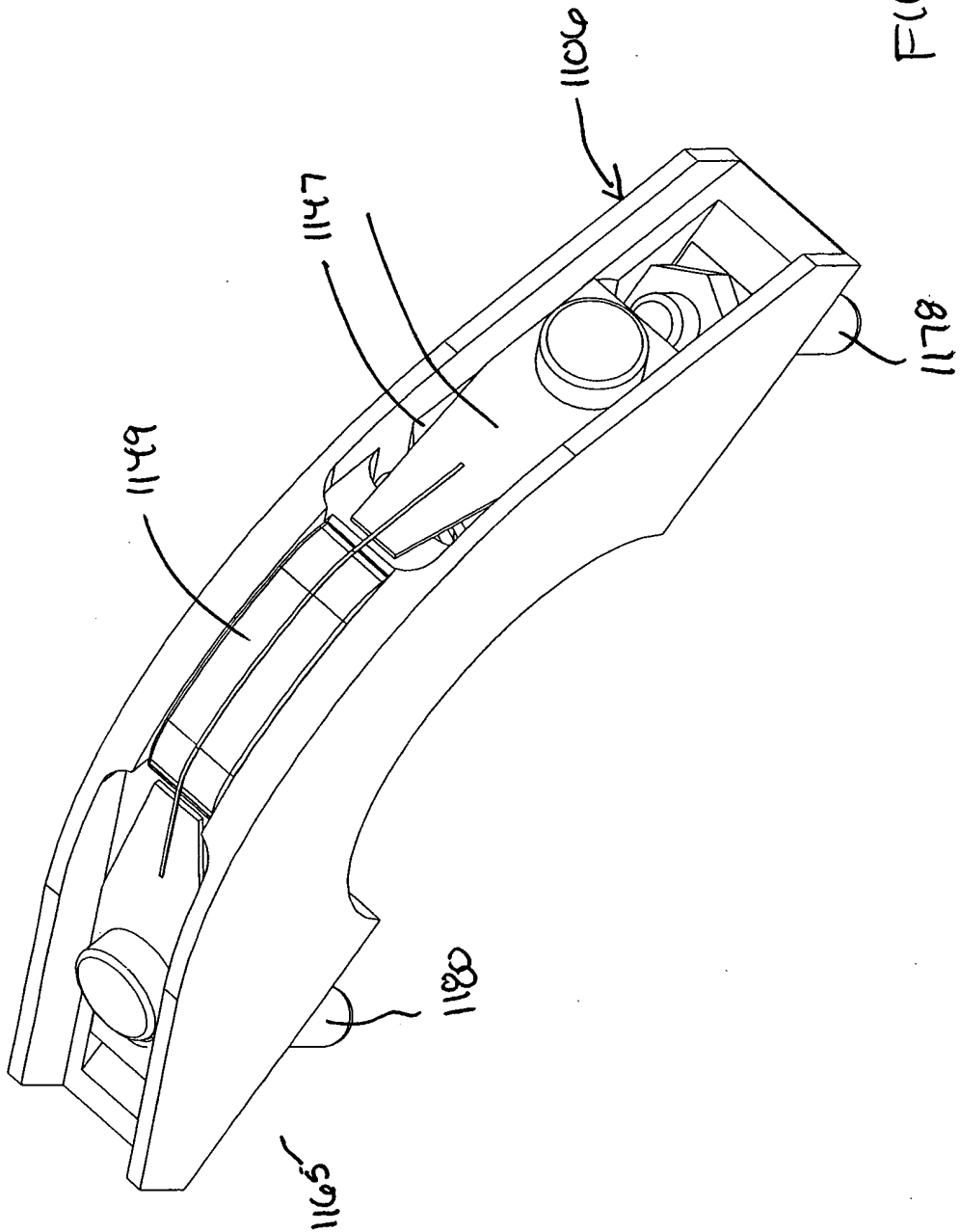


FIG. 163

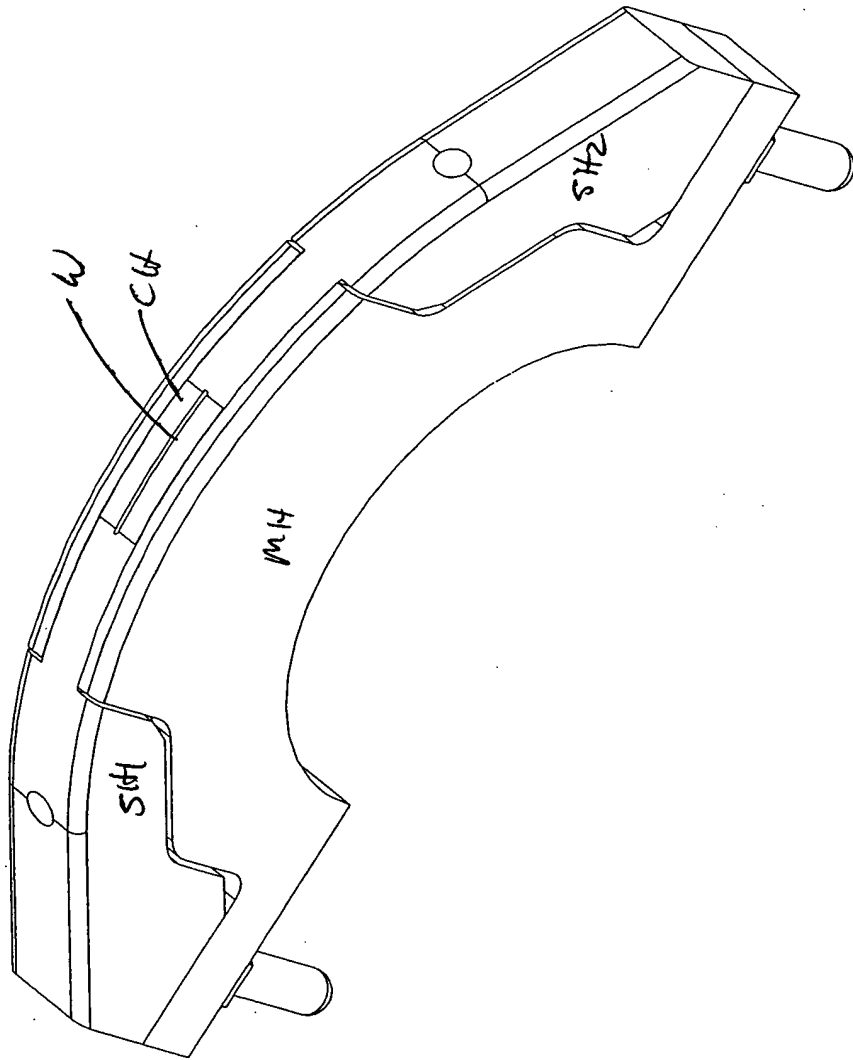


FIG. 163A

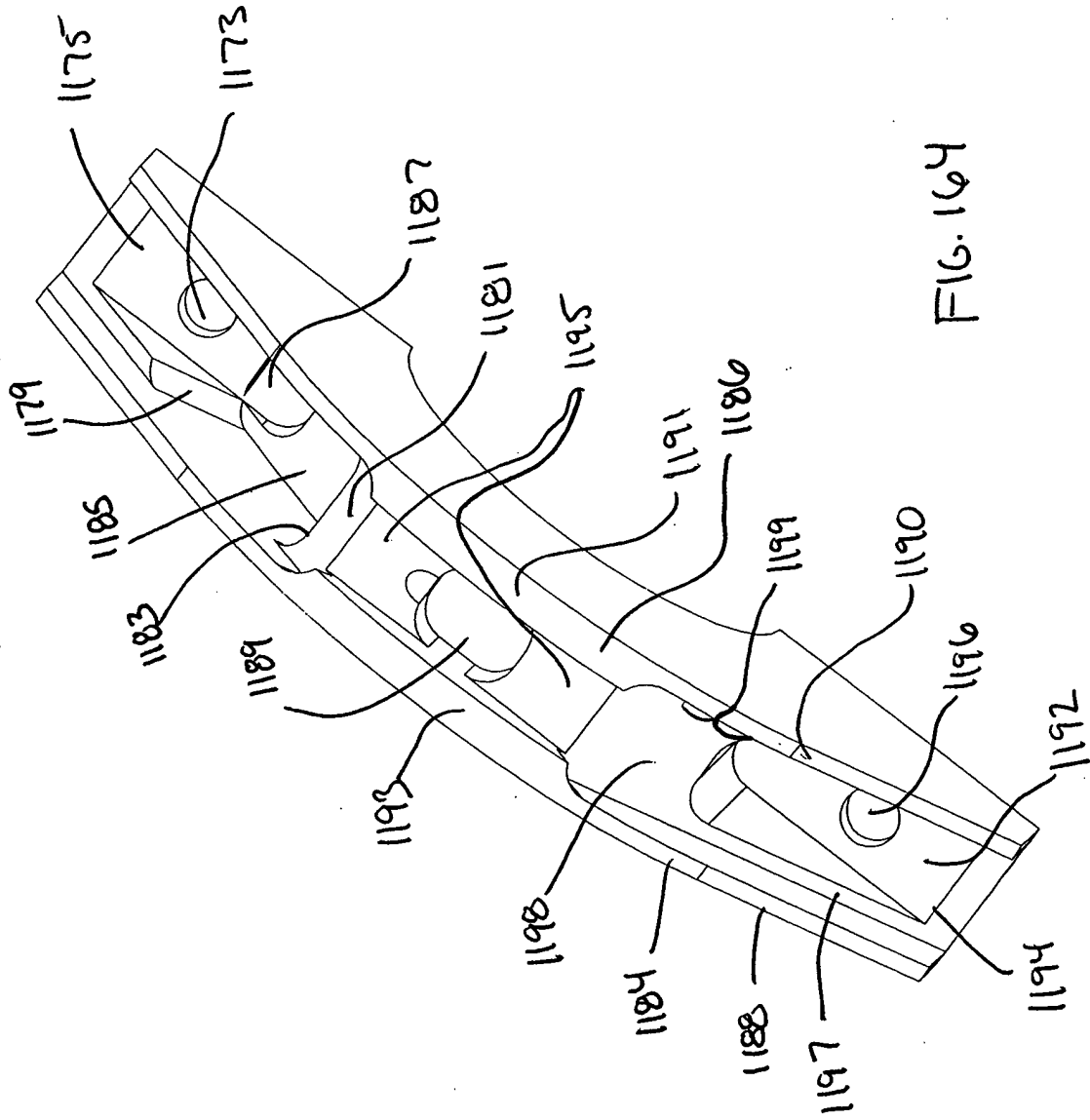


FIG. 164

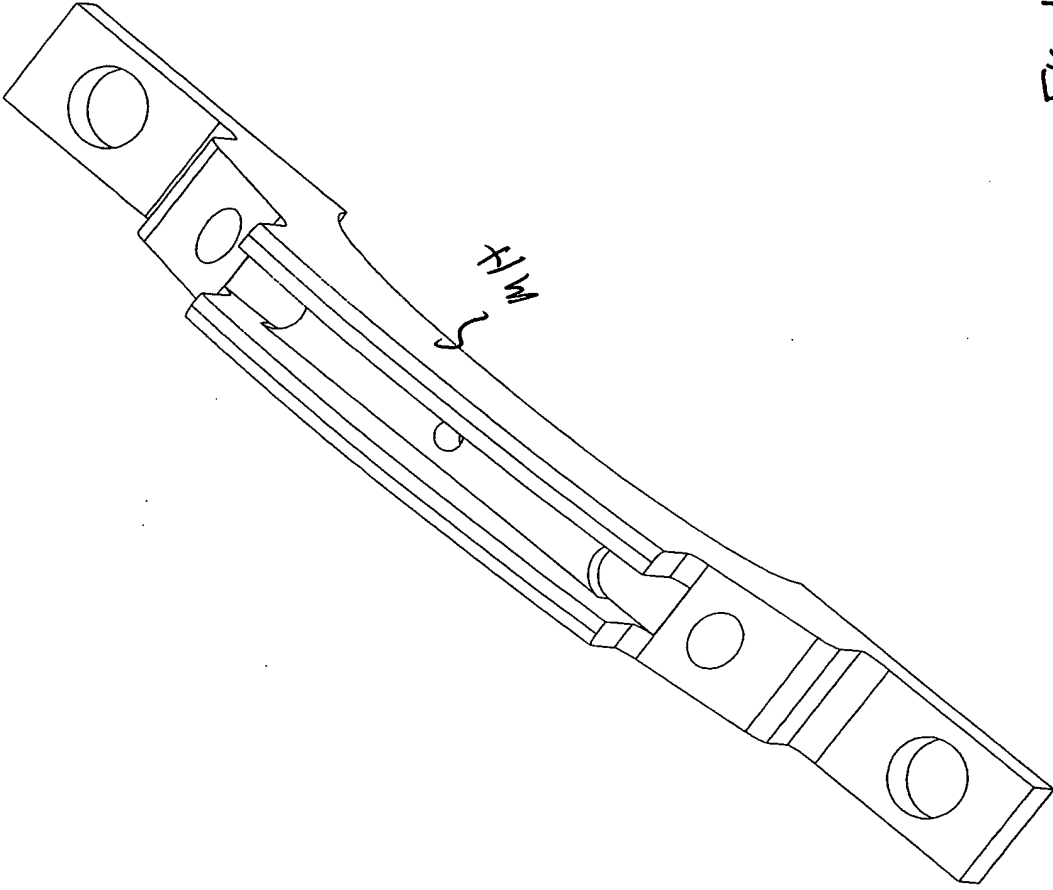


FIG. 164A

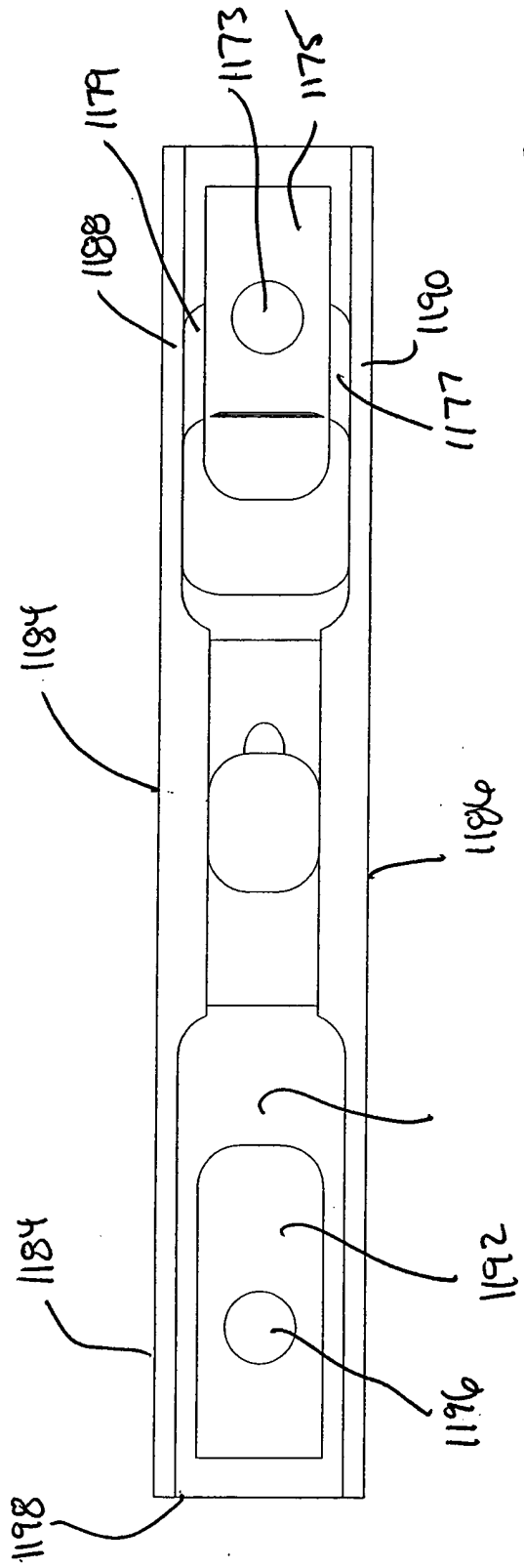


FIG. 165

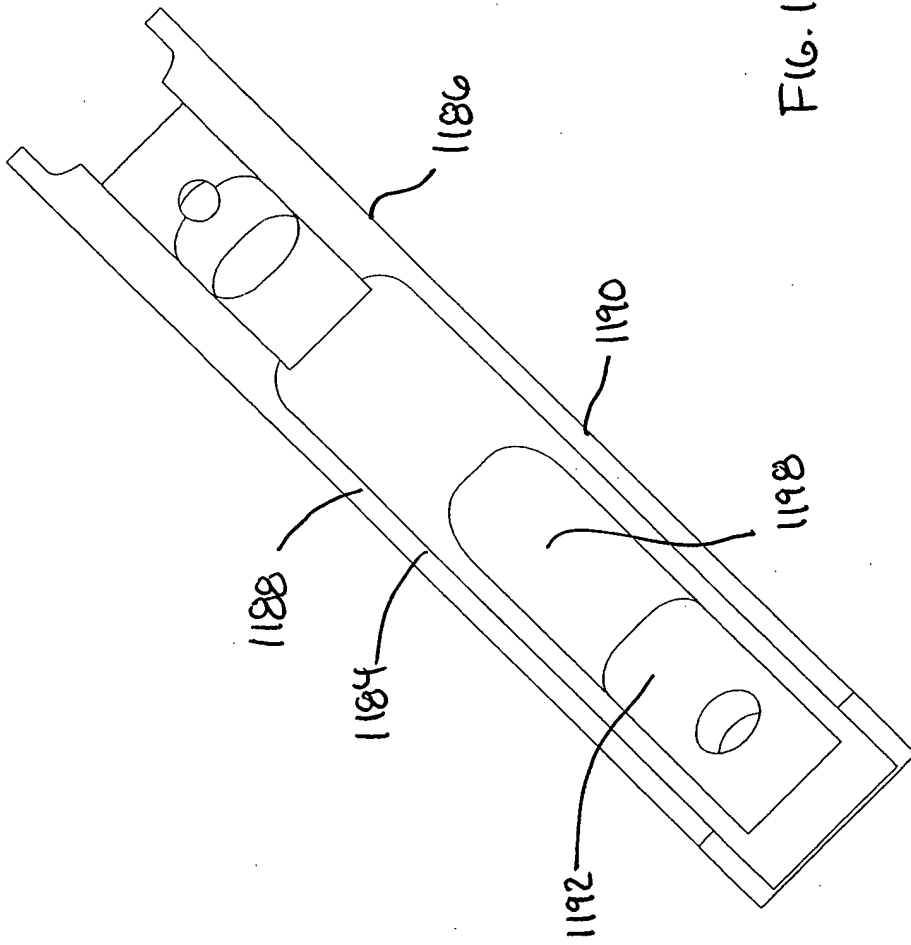


FIG. 166

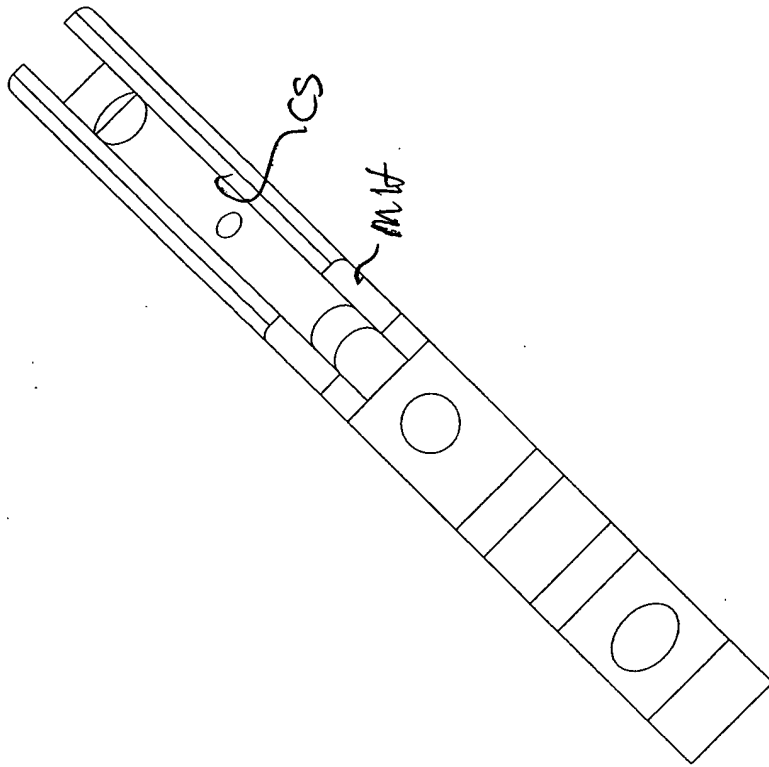
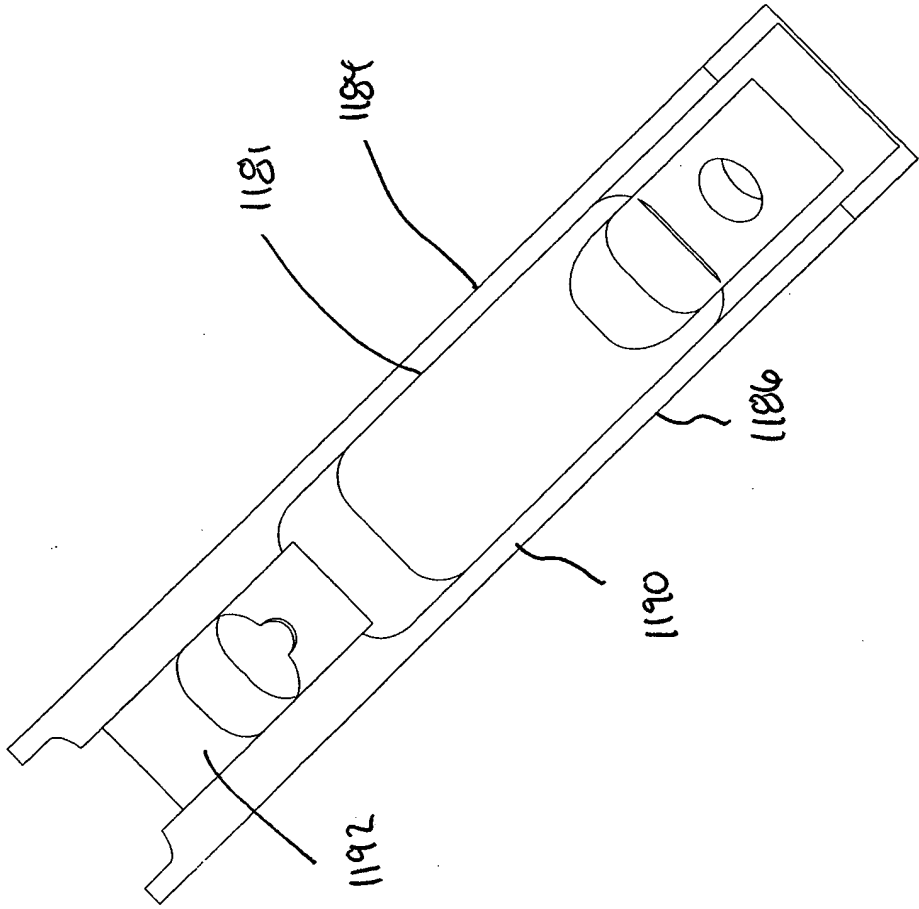


FIG. 166A

FIG. 167



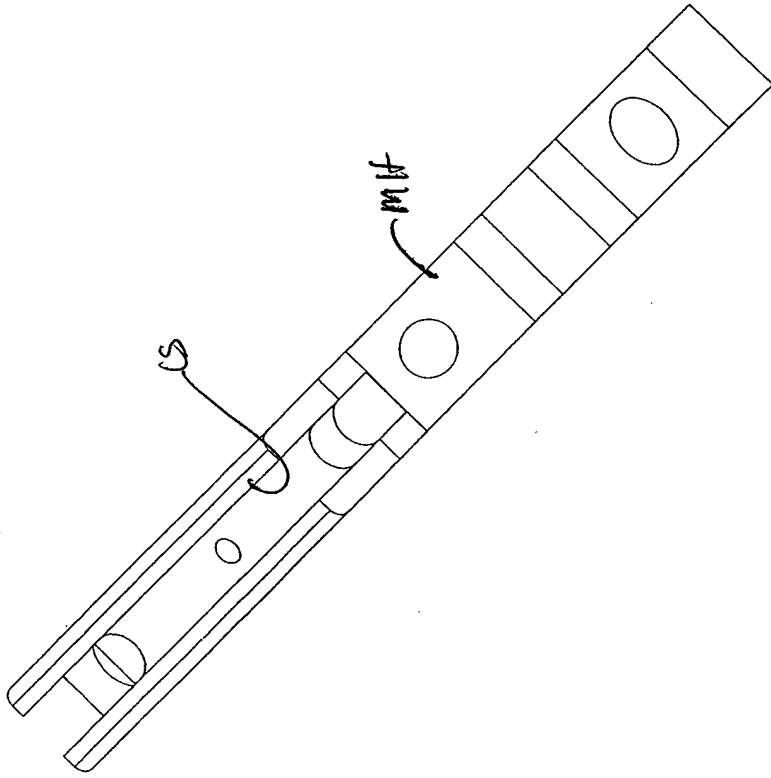


FIG. 167A

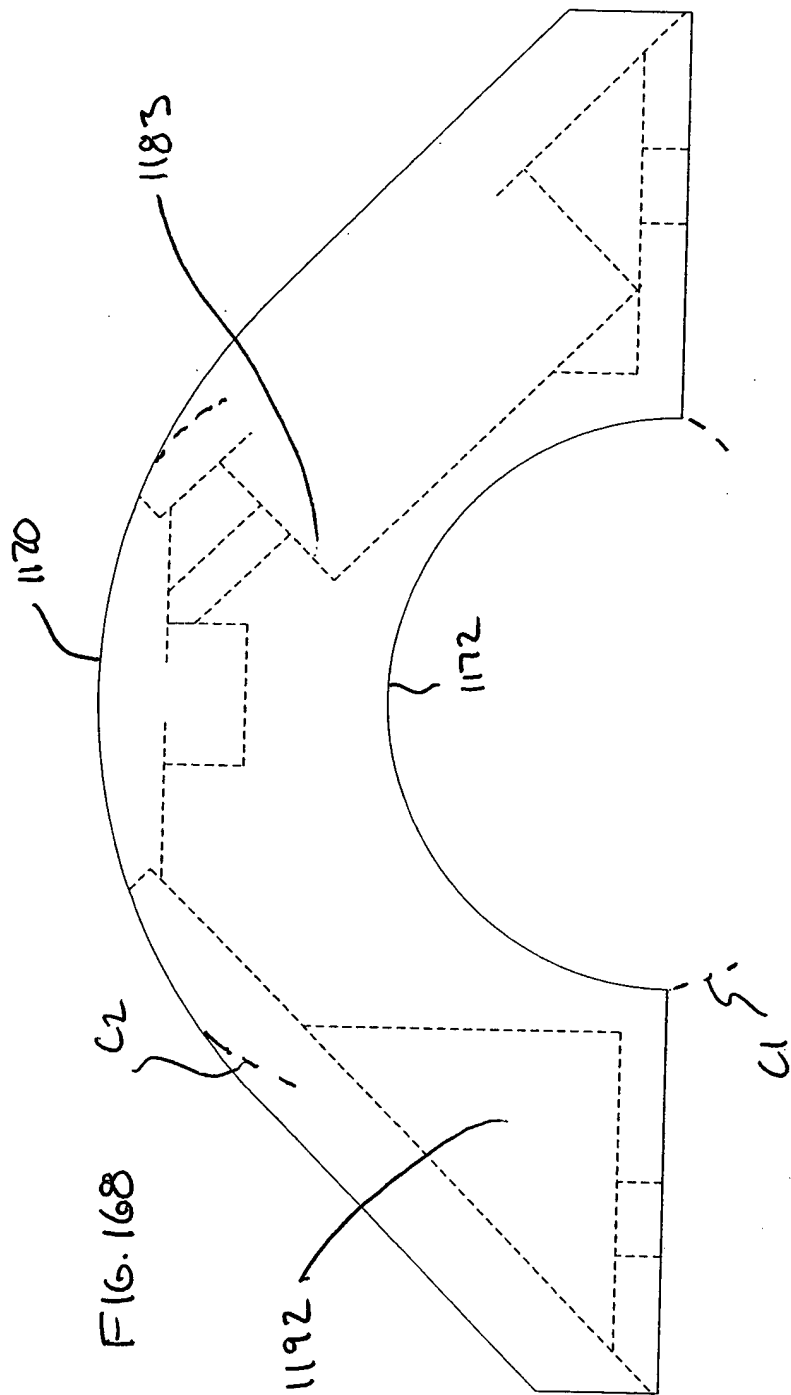


FIG. 168

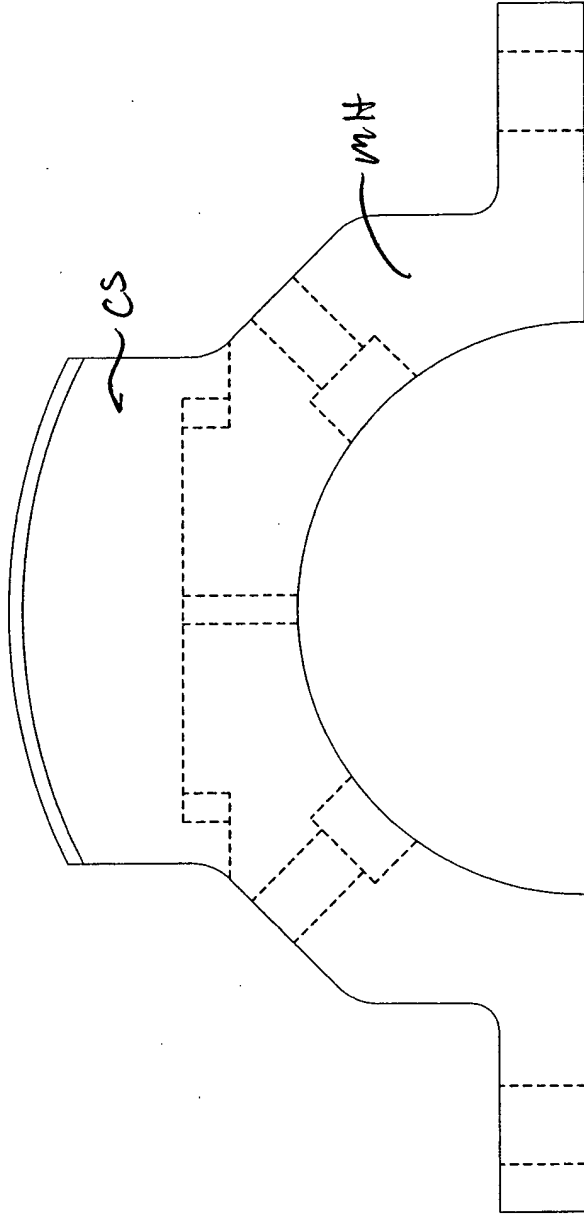


FIG. 1681A

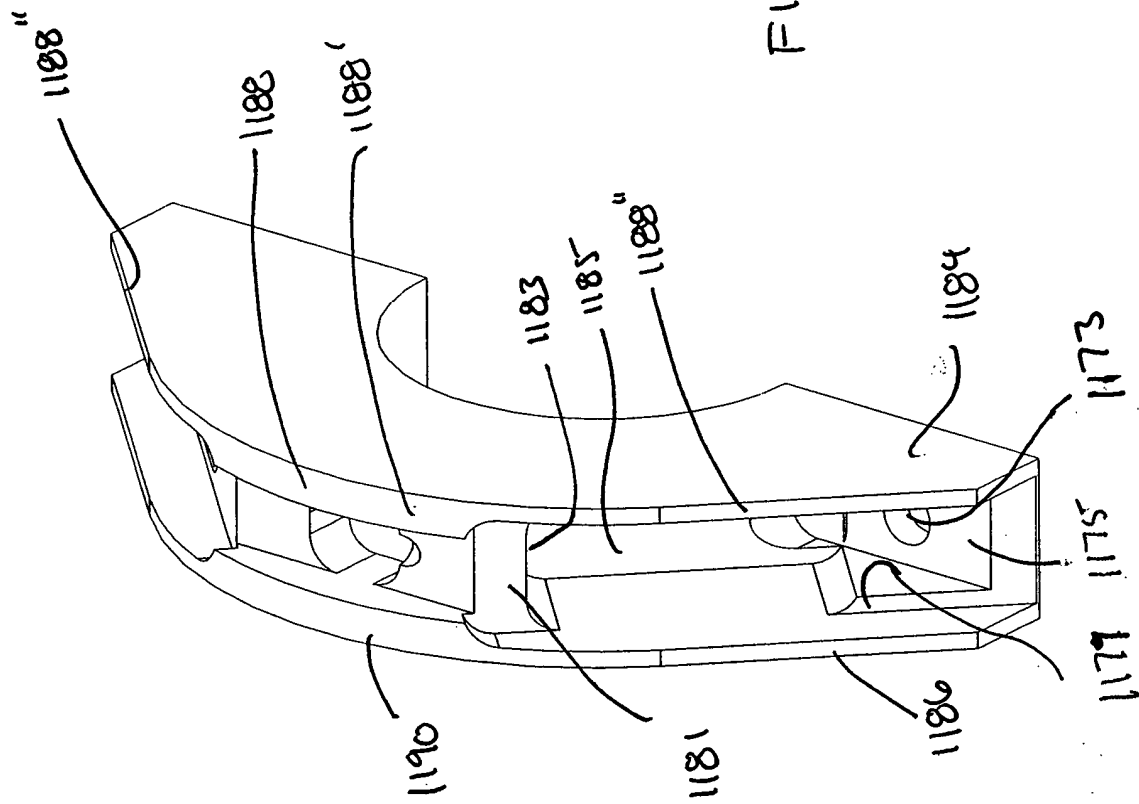


FIG. 169

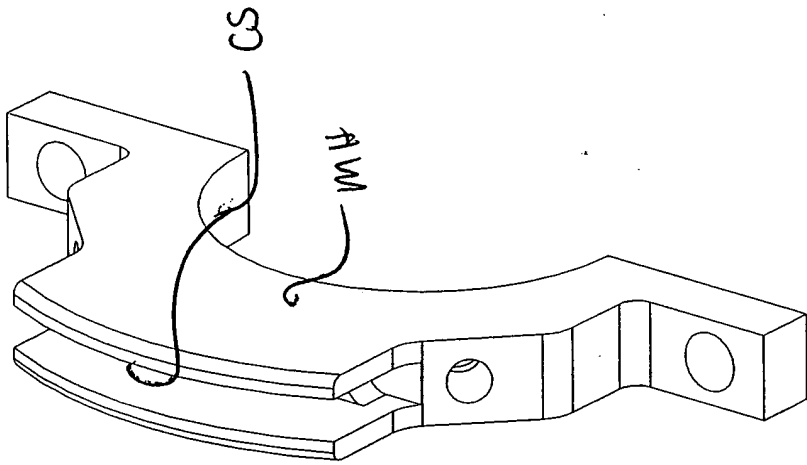
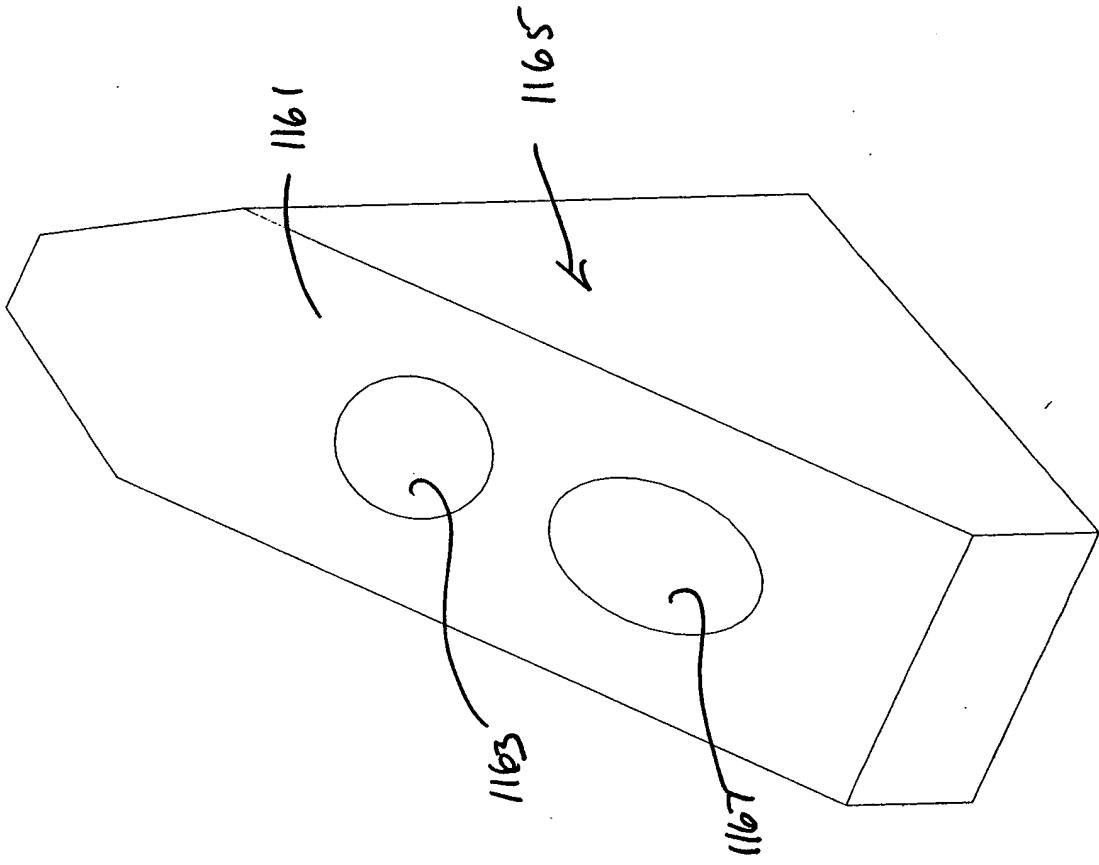


FIG. 169A

FIG. 170



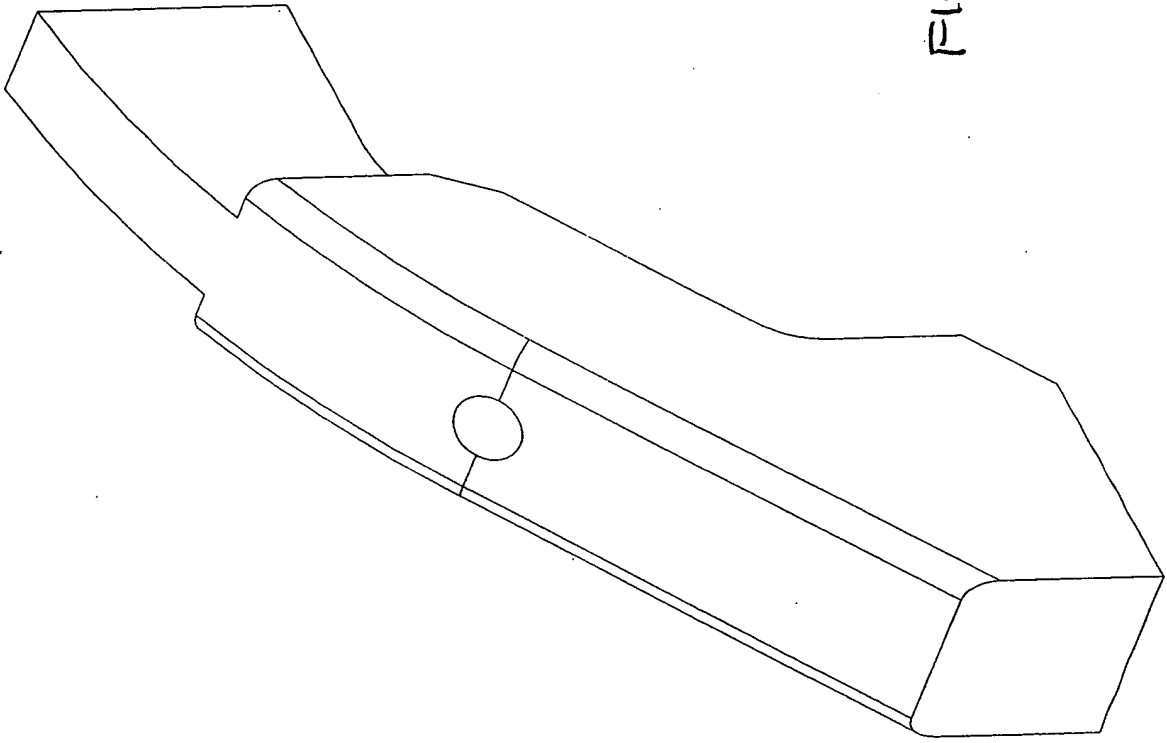
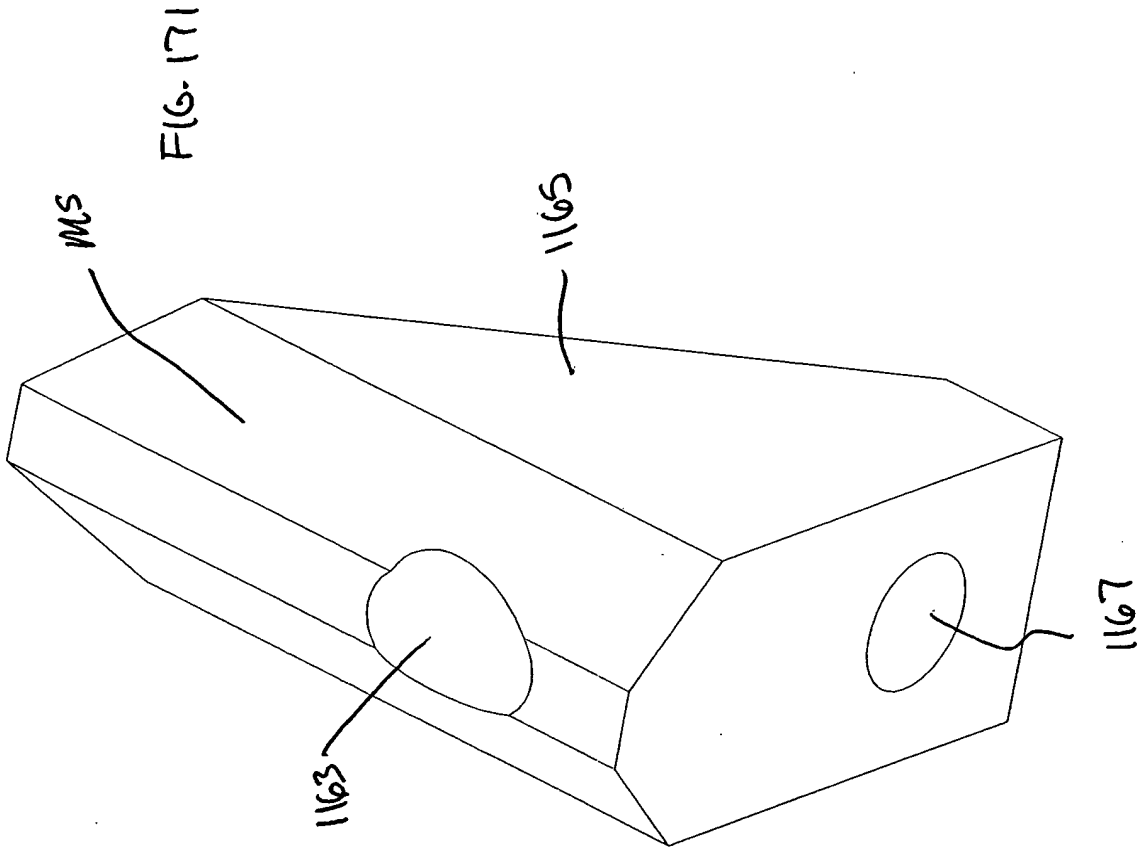


FIG. 170A



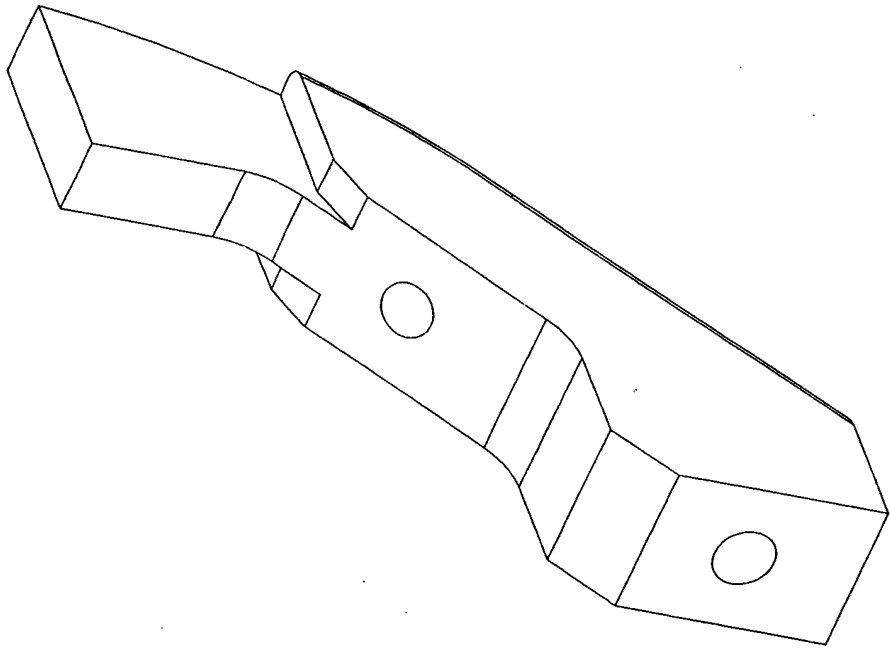


FIG. 171A

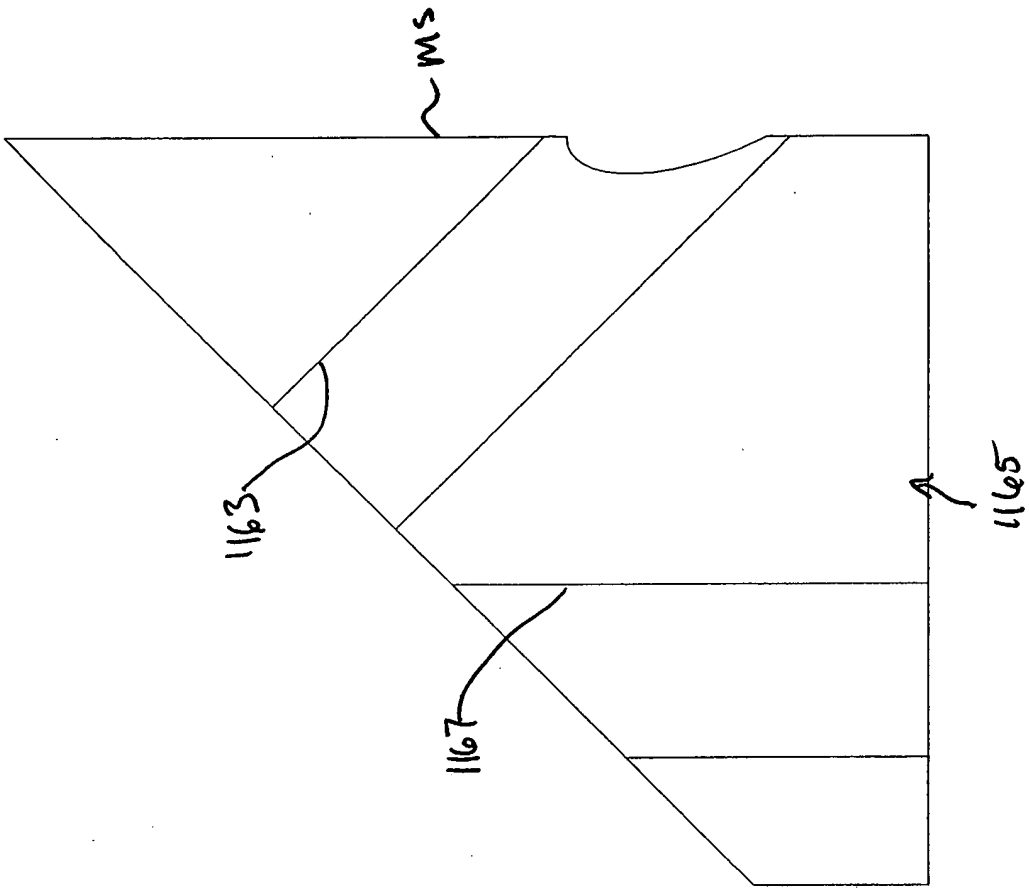


FIG. 172

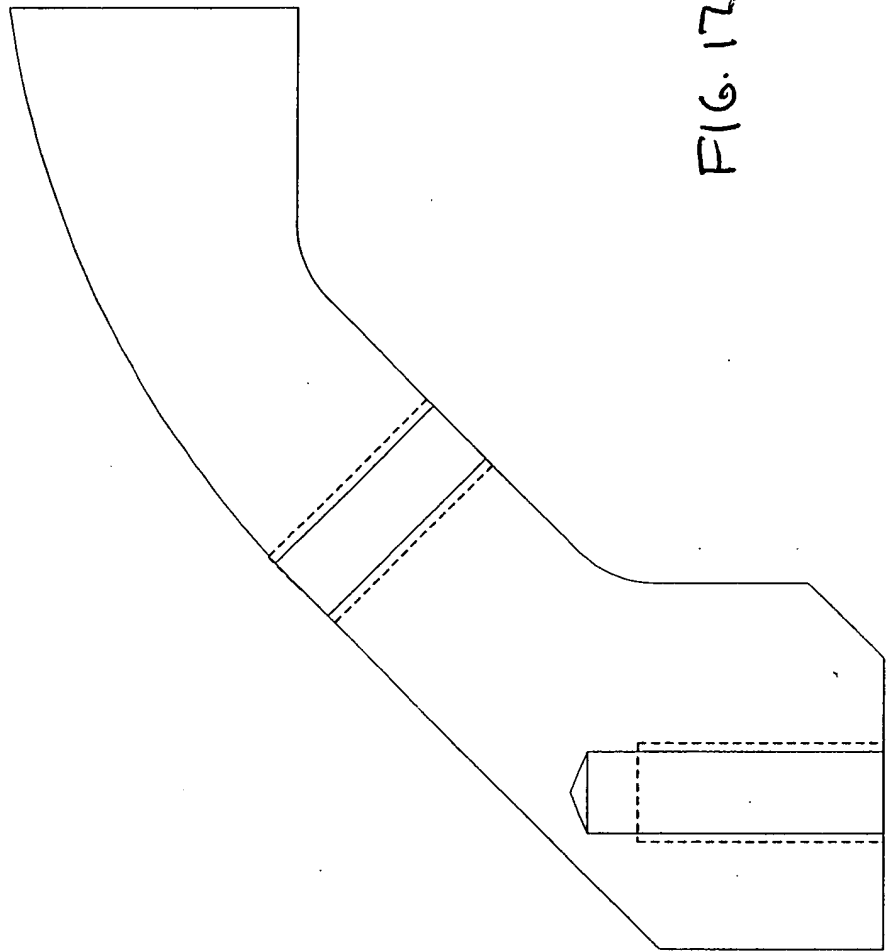
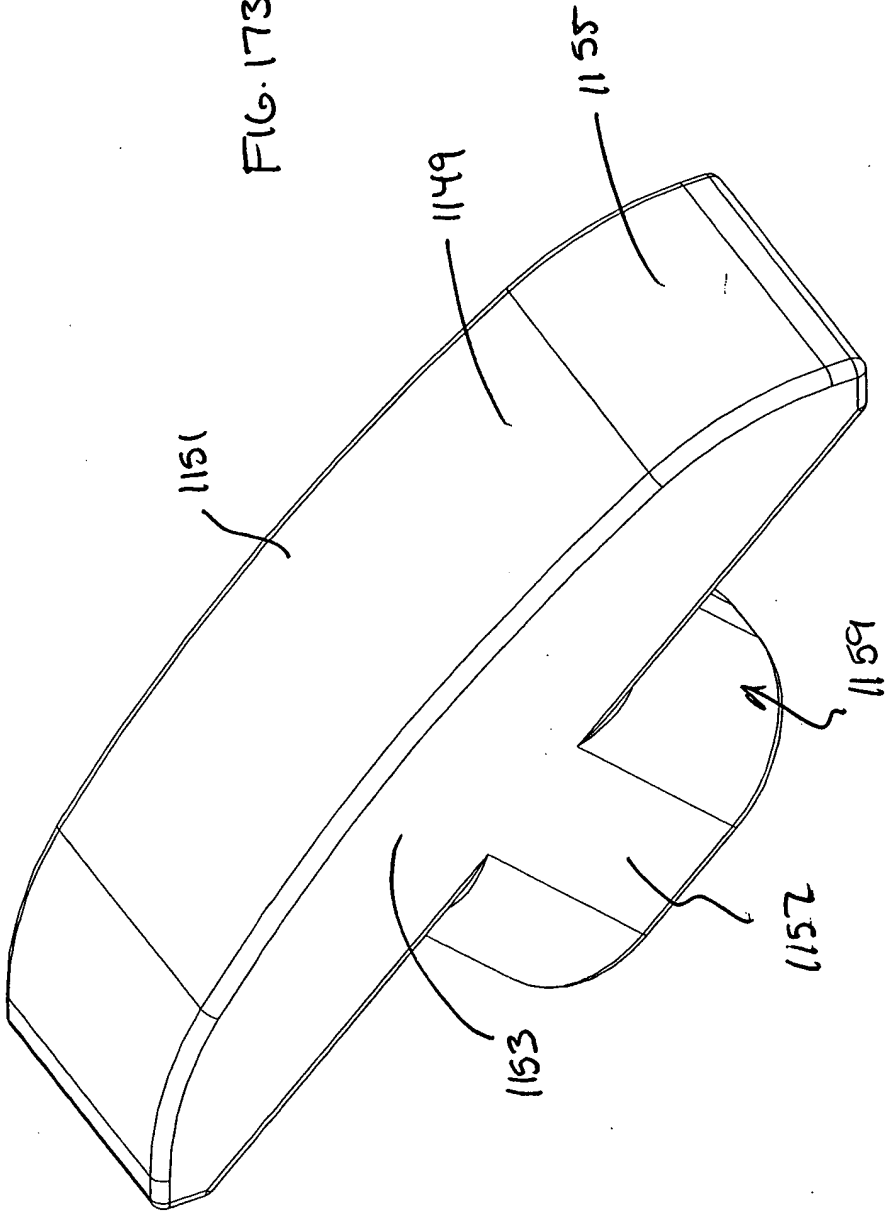


FIG. 172A

FIG. 173A



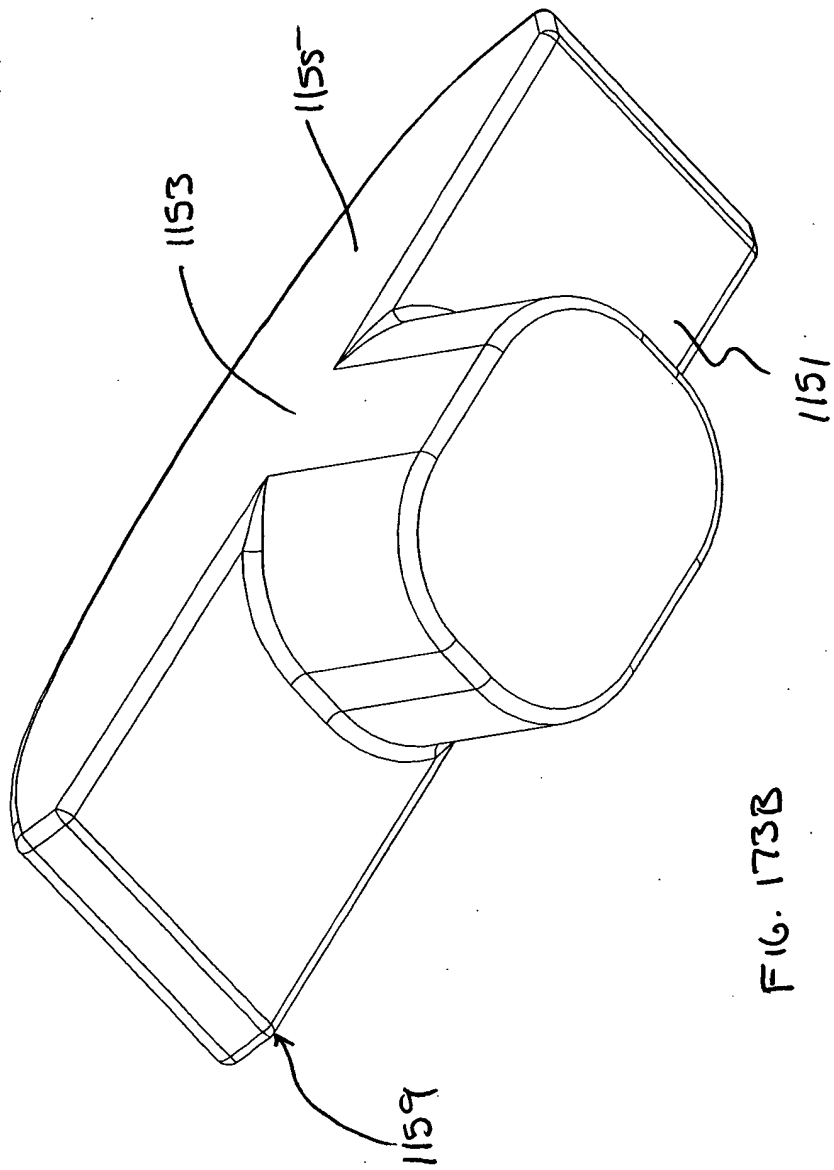


FIG. 173B

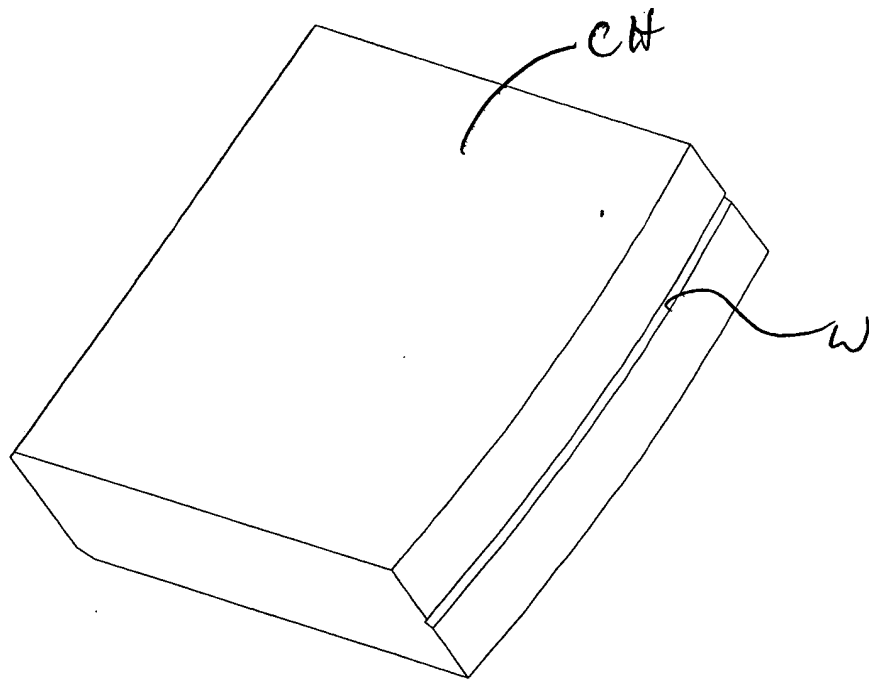


FIG. 173C

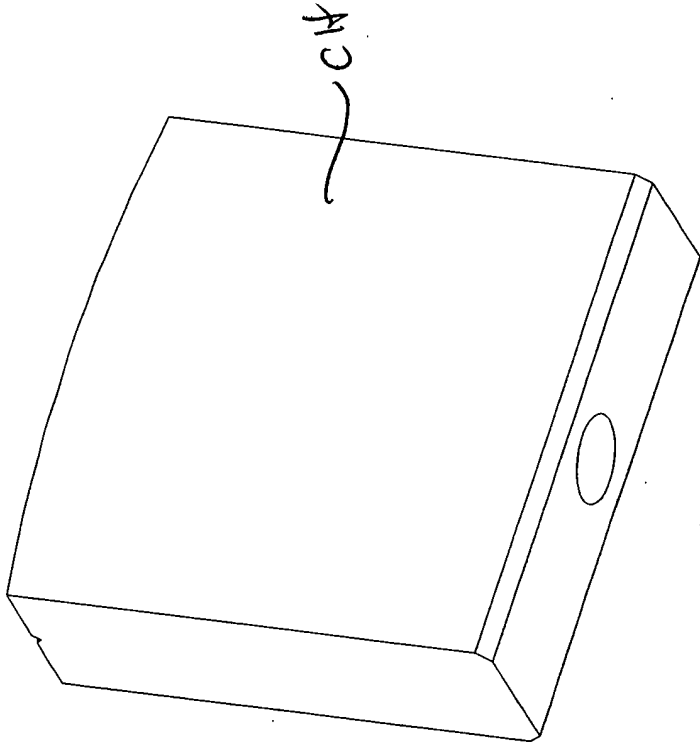
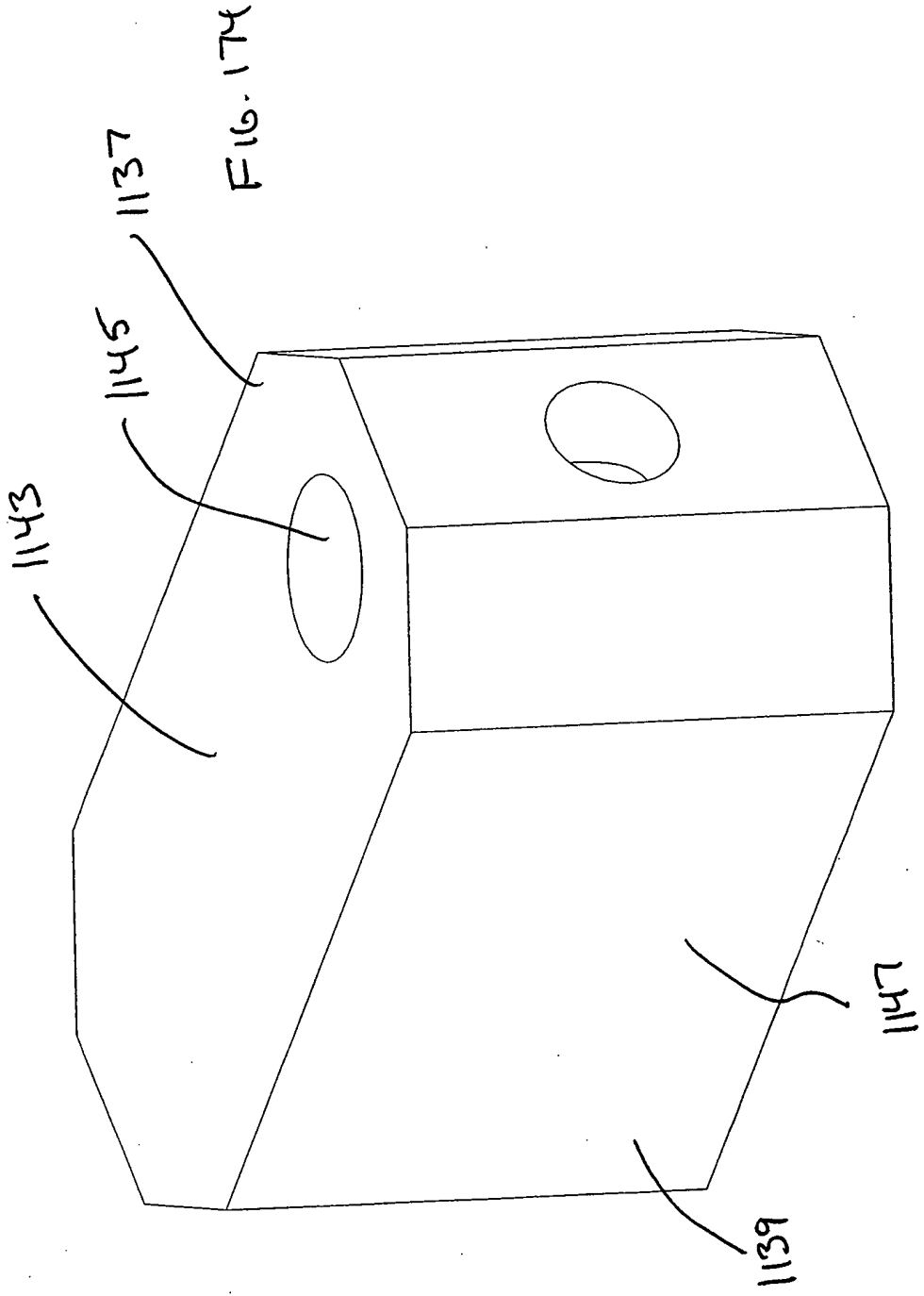


FIG. 173D



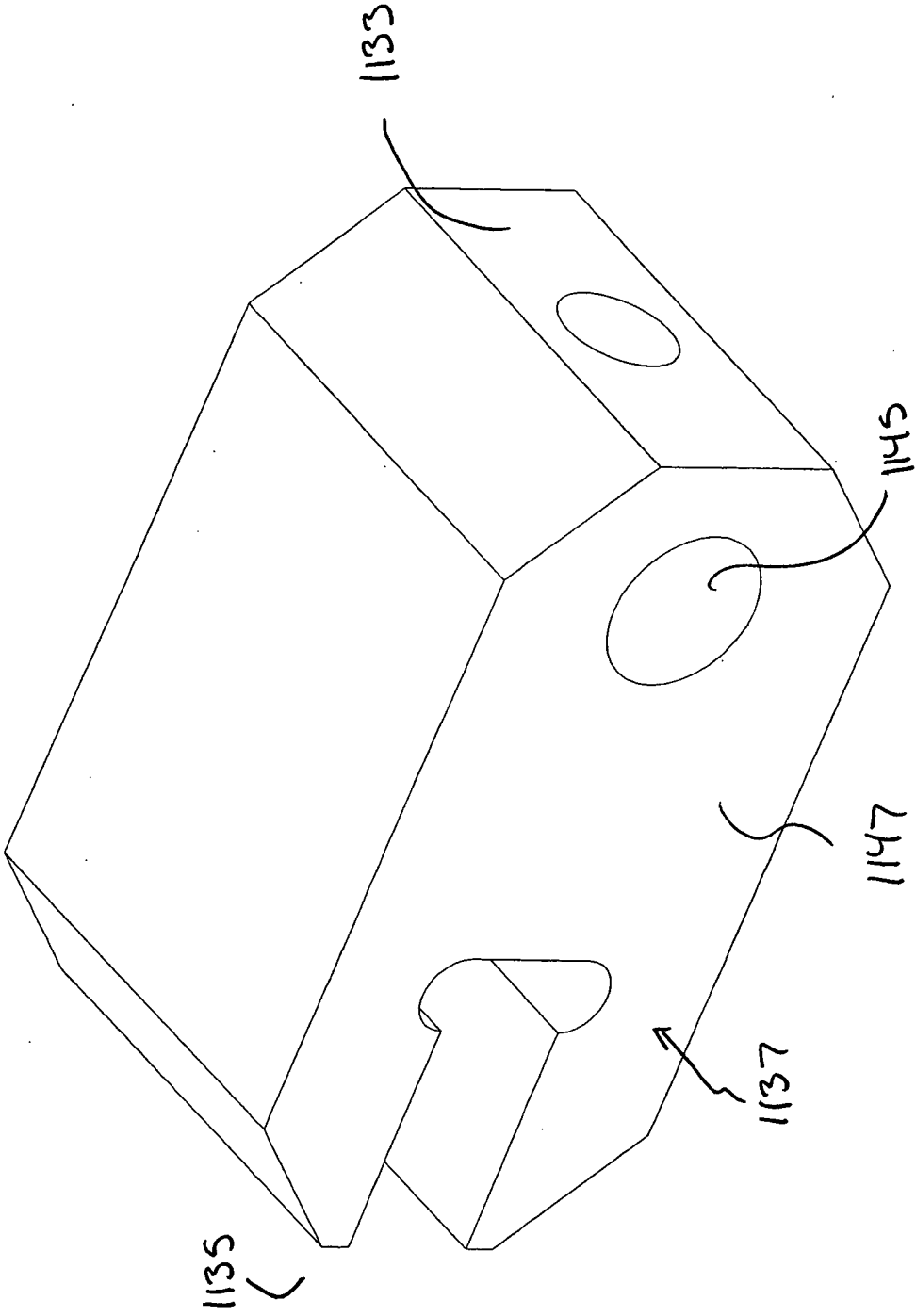
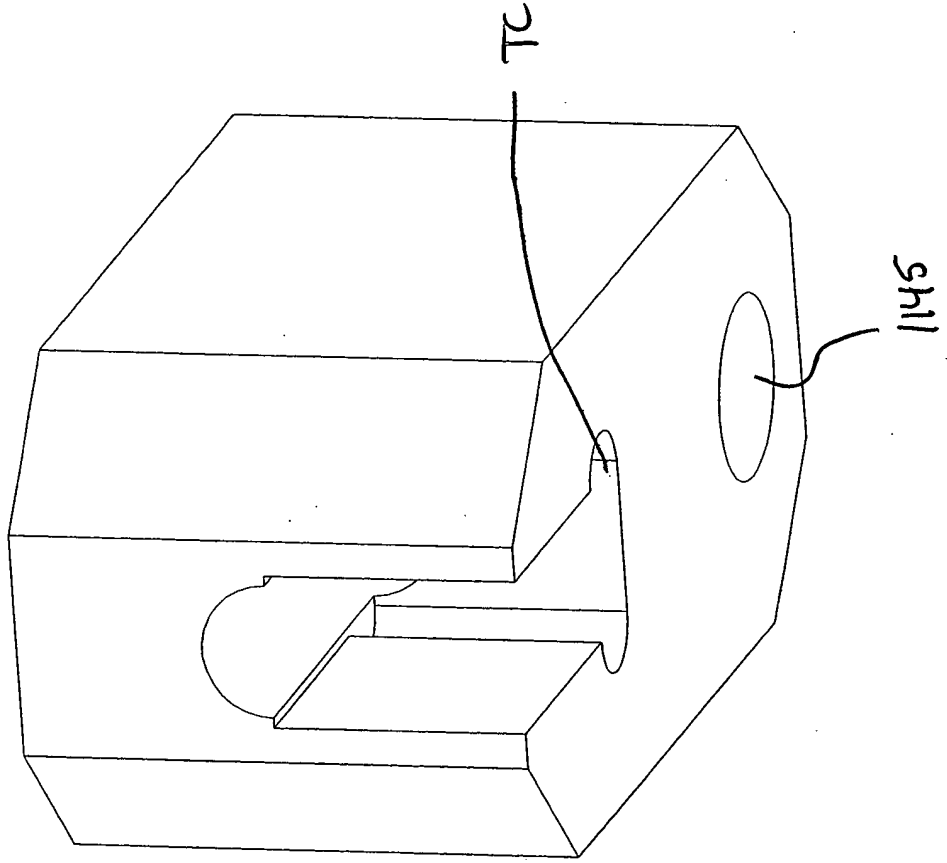


FIG. 175

FIG. 17b



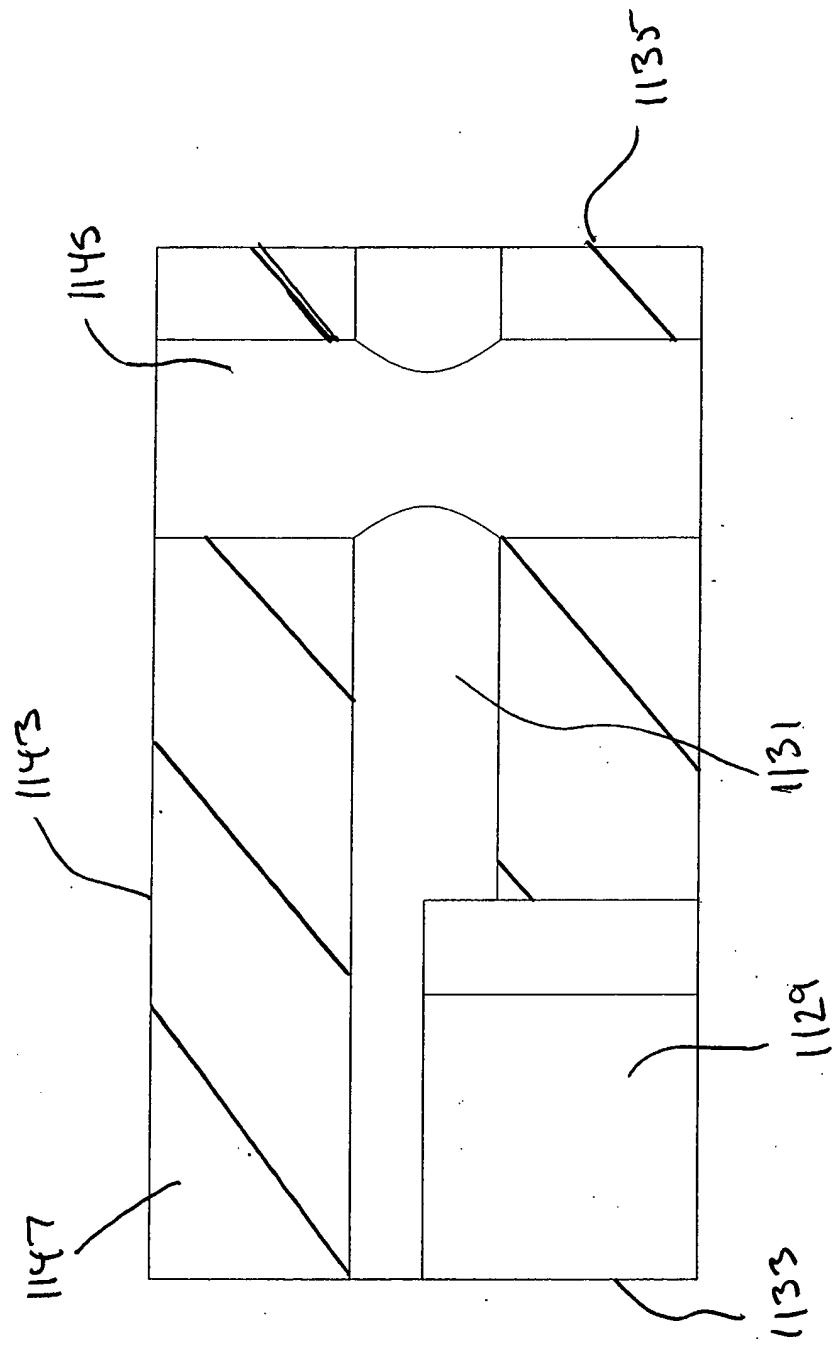


FIG. 177

1113 (iii)

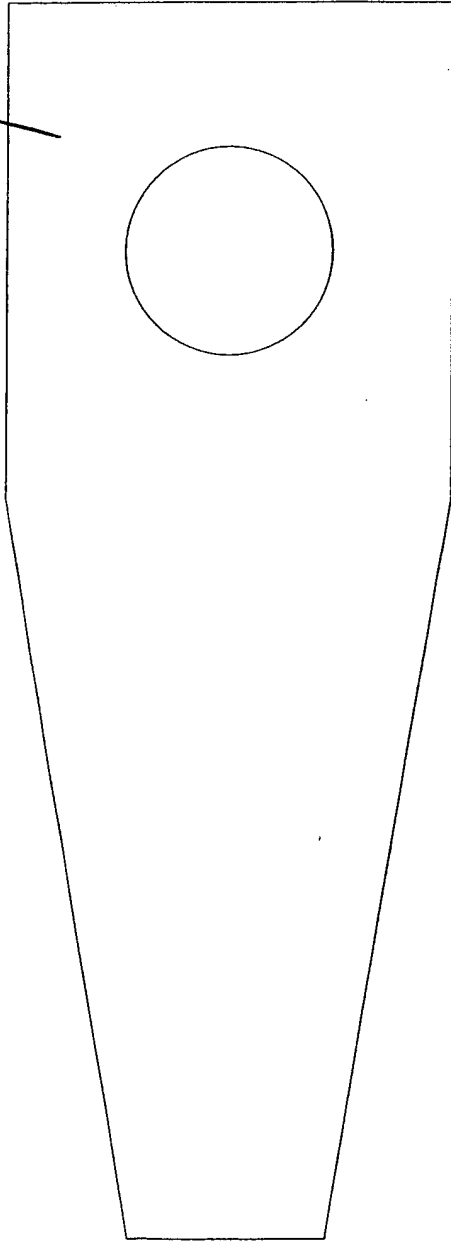


FIG. 178

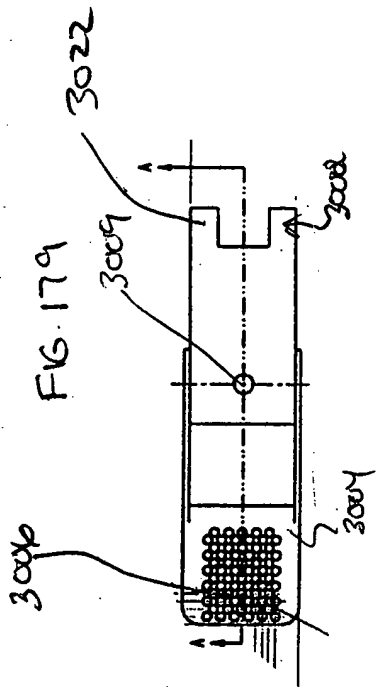


FIG. 179

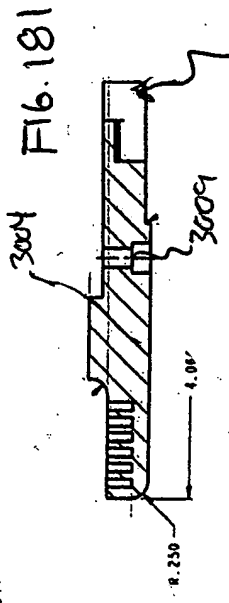


FIG. 181

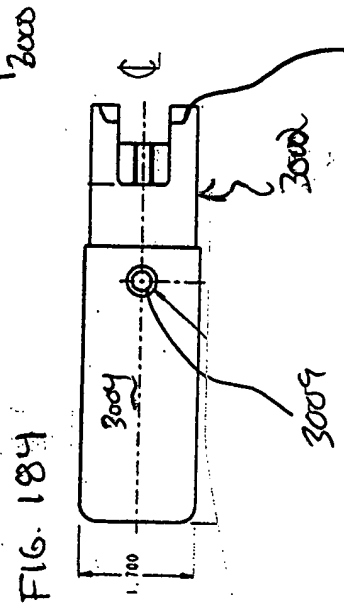


FIG. 184

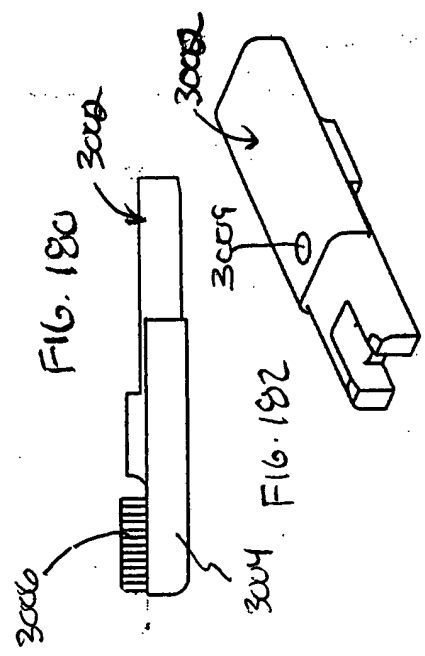


FIG. 180

FIG. 182

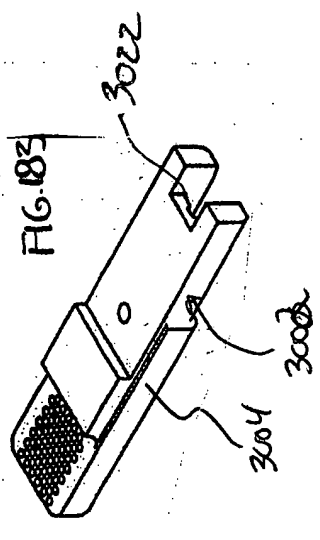


FIG. 183

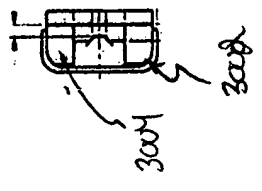


FIG. 185

3022

FIG. 186

Display, Controls,
& Power Distribution

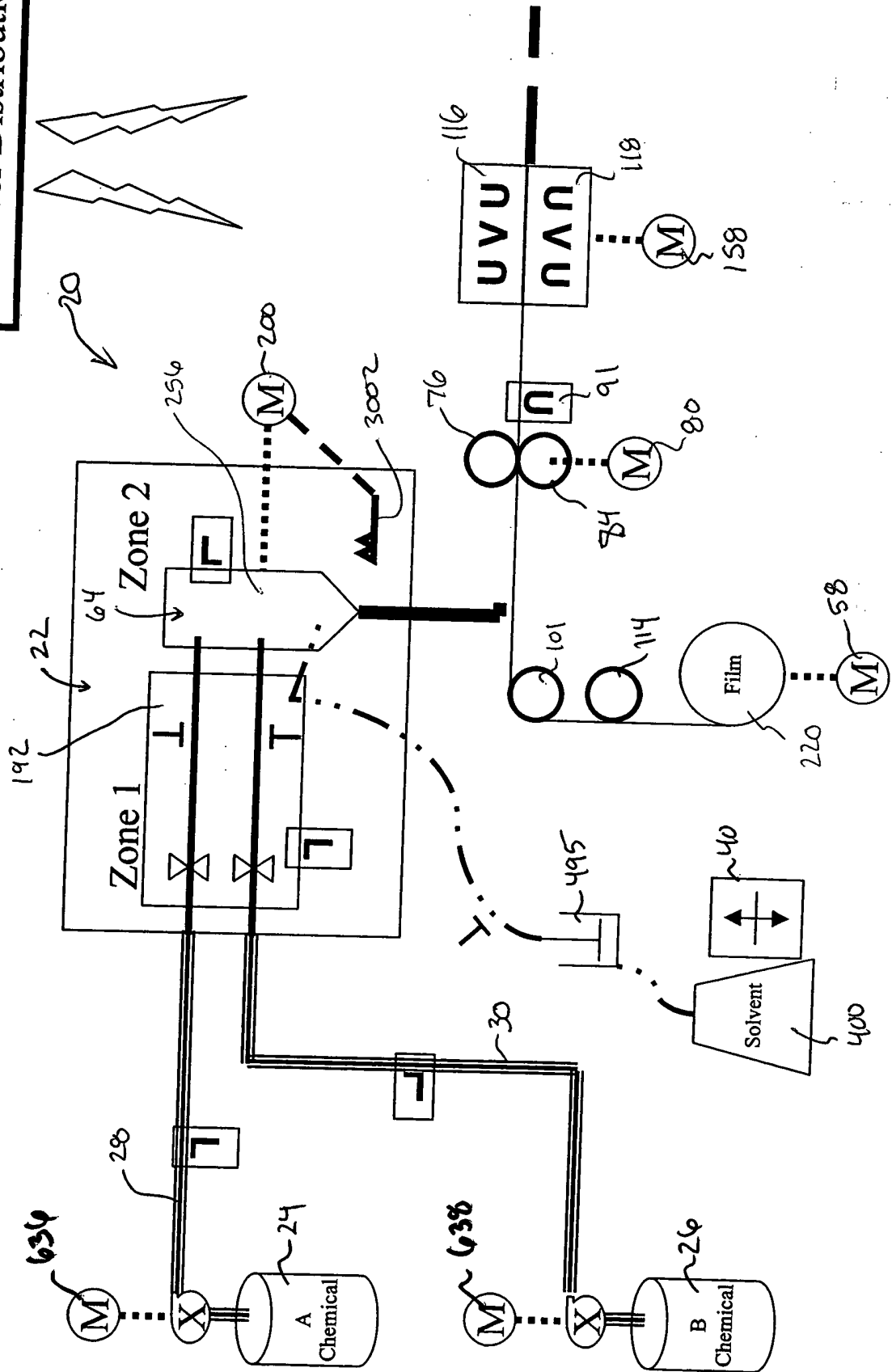





FIG. 186A

Legend


 = Motor

 = Linkage

 = Pump

 = Pump Shaft/Hose

 = Heating element (all orientations)

 = Filter

 = Pressure Transducer (all orientations)

 = Tip Cleaning Brush


 = Solvent Pump

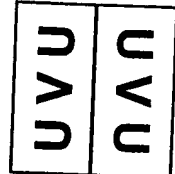
 = Level Sensor

 = Mixing Module +

 = Idle Roller

 = Nip Rollers

 = Edge Seal Wire

 = Jaw Assembly
(X-seal, X-cut,
X-seal)

Top/Bottom X-Seal, X-cut

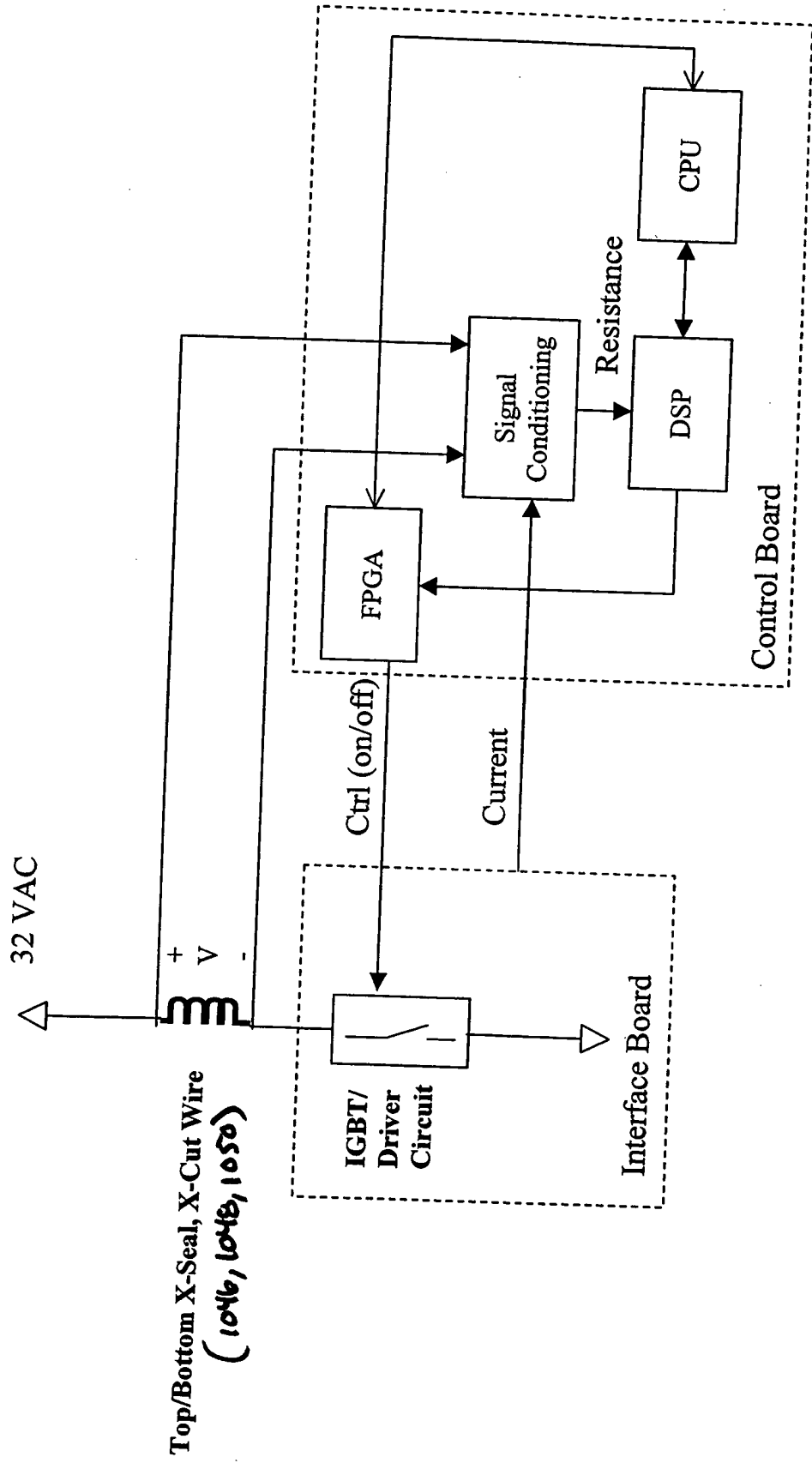


FIG. 187

Edge Seal

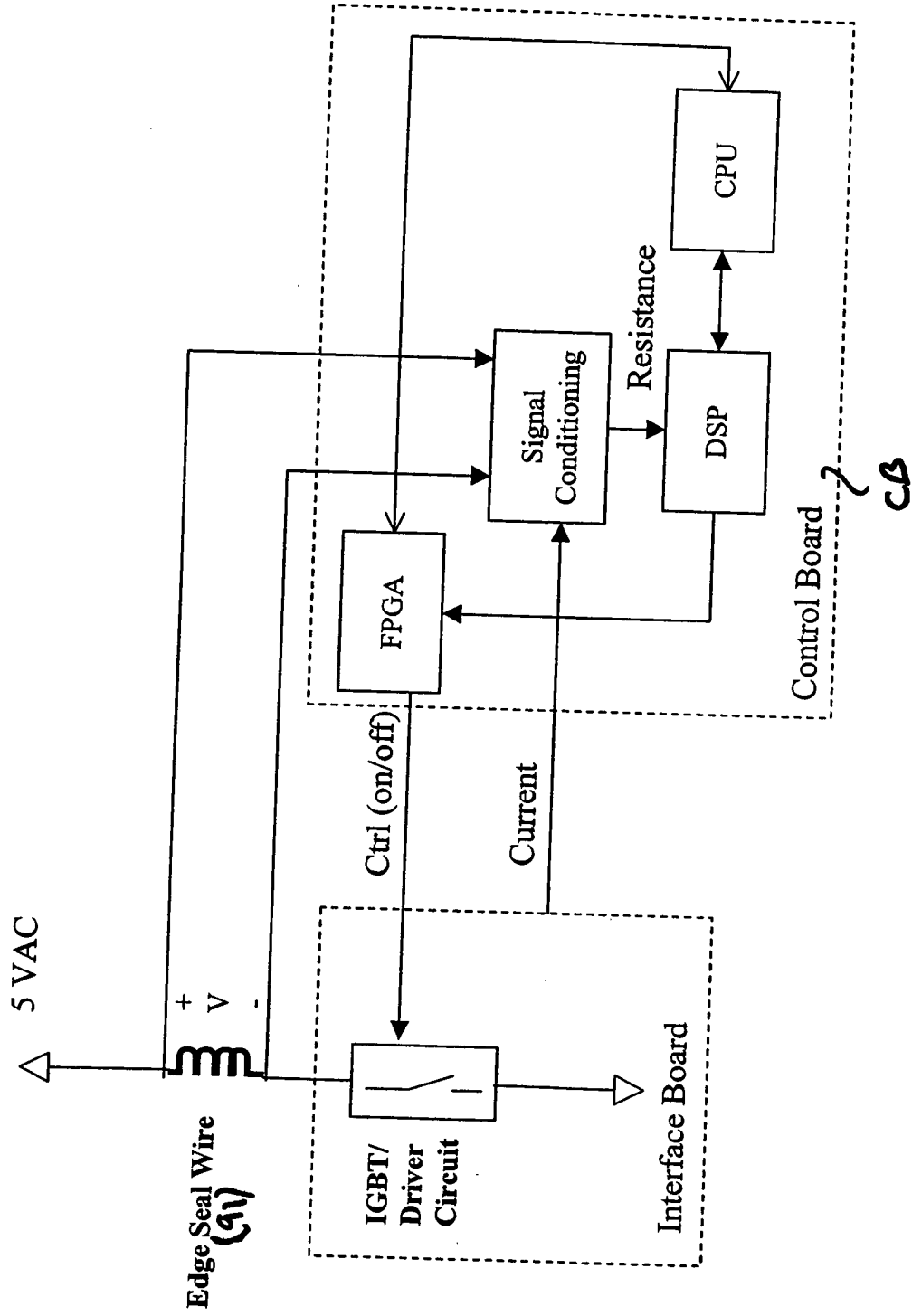


FIG. 188

Moving Jaw

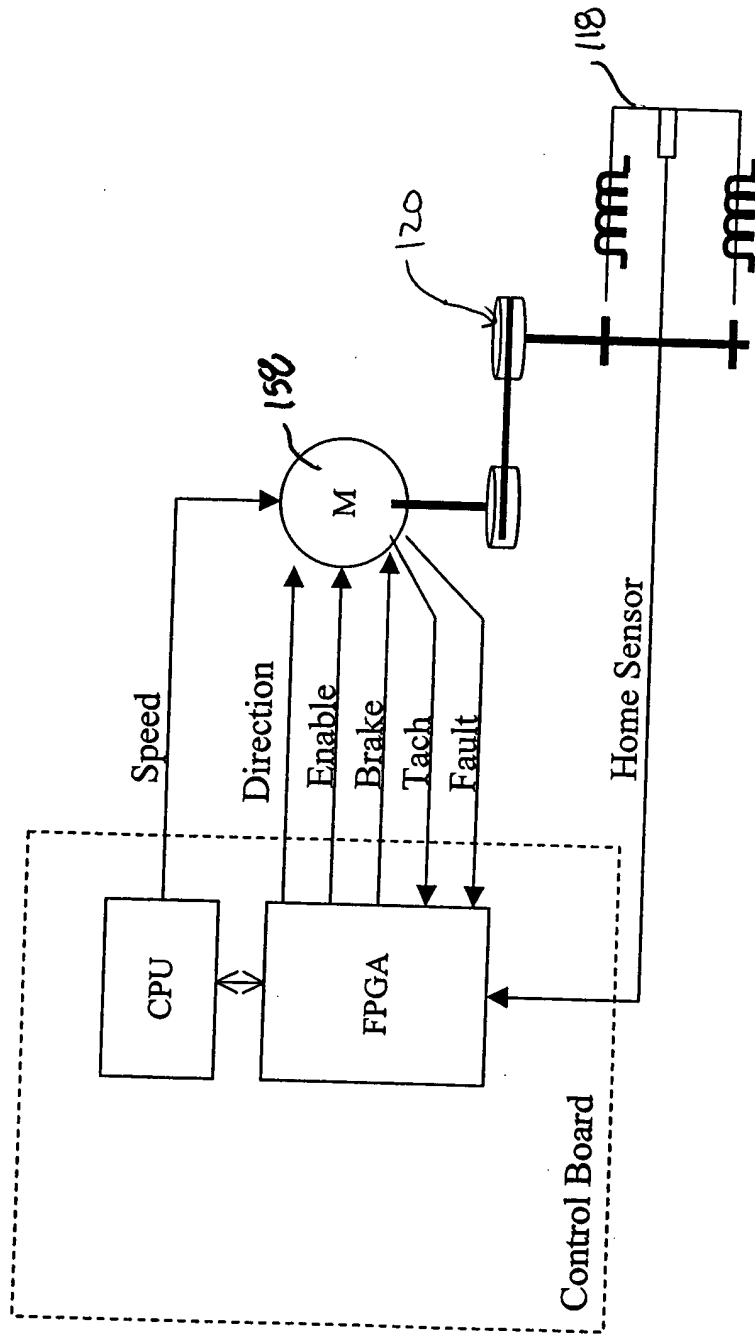


FIG. 189

Chemical Dispensing/Tip Cleaning

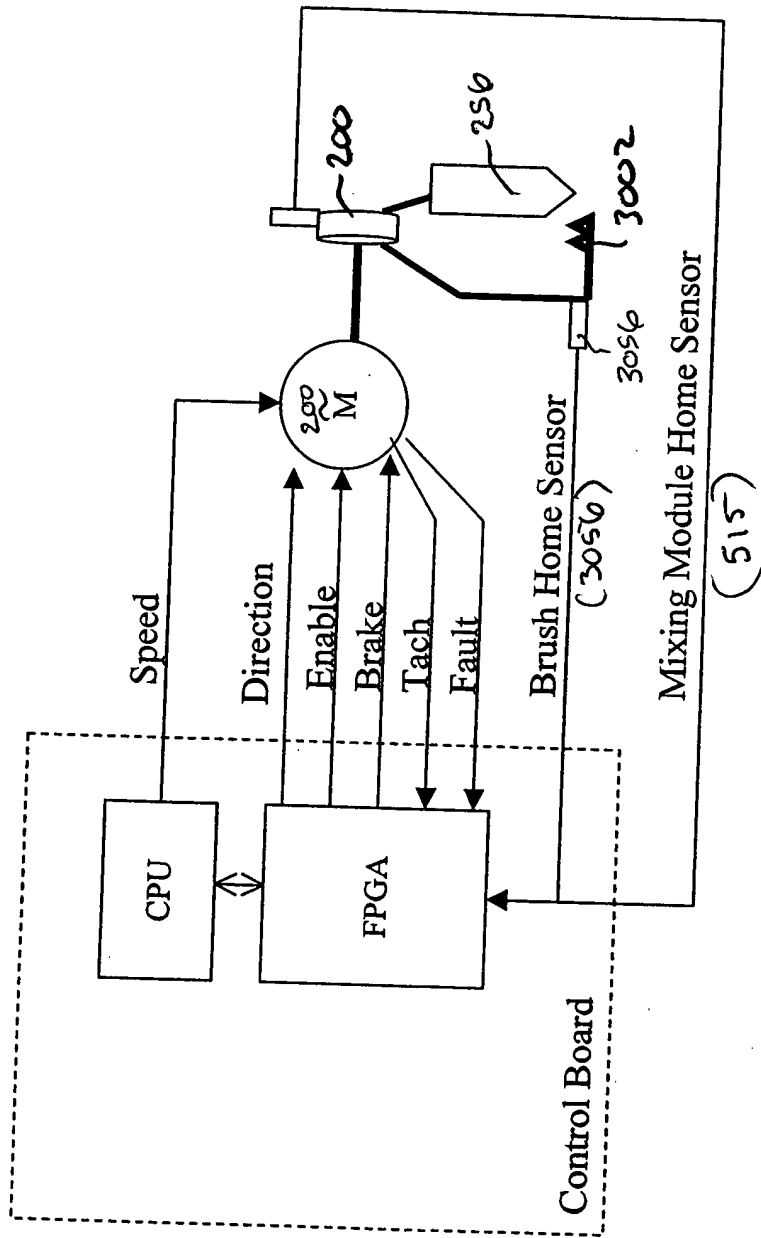


FIG. 190

Film Advance/Tracking

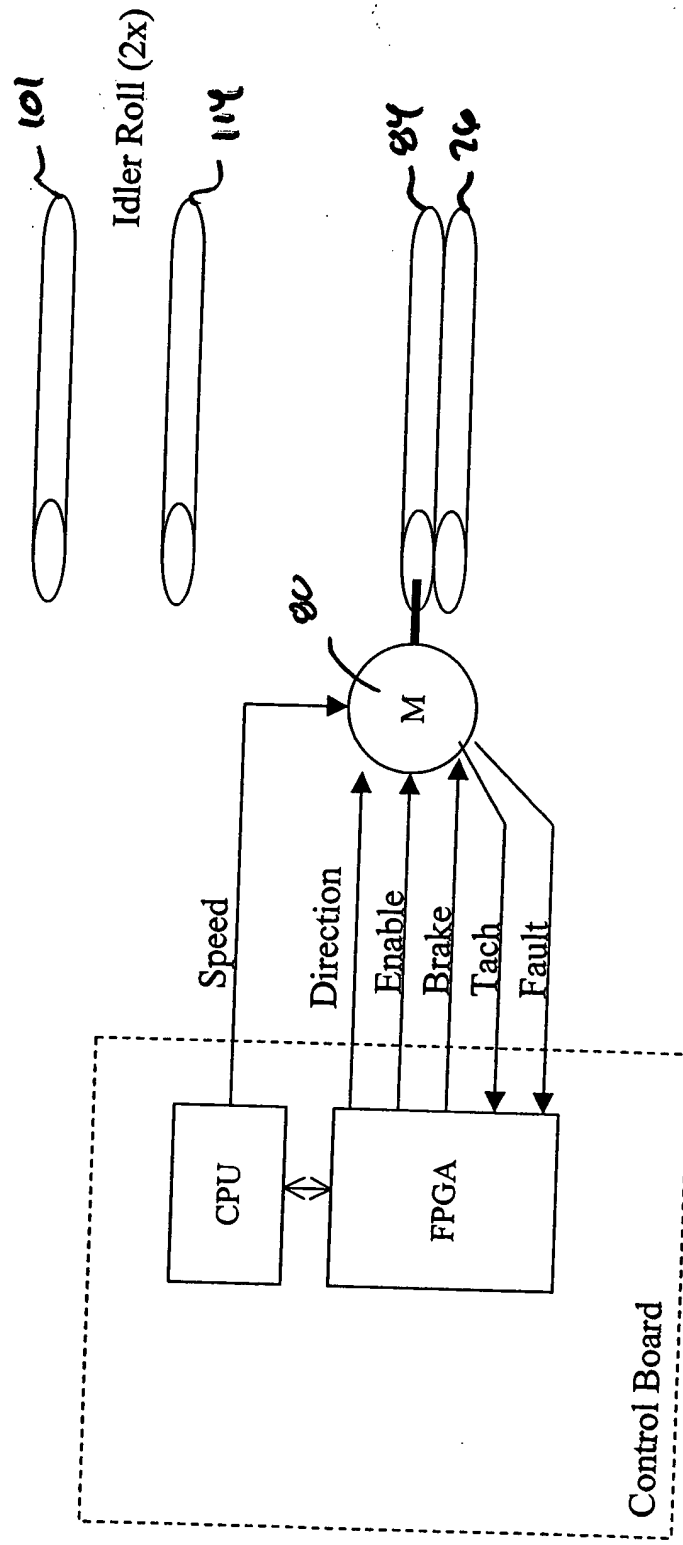


FIG. 191

Film Tension

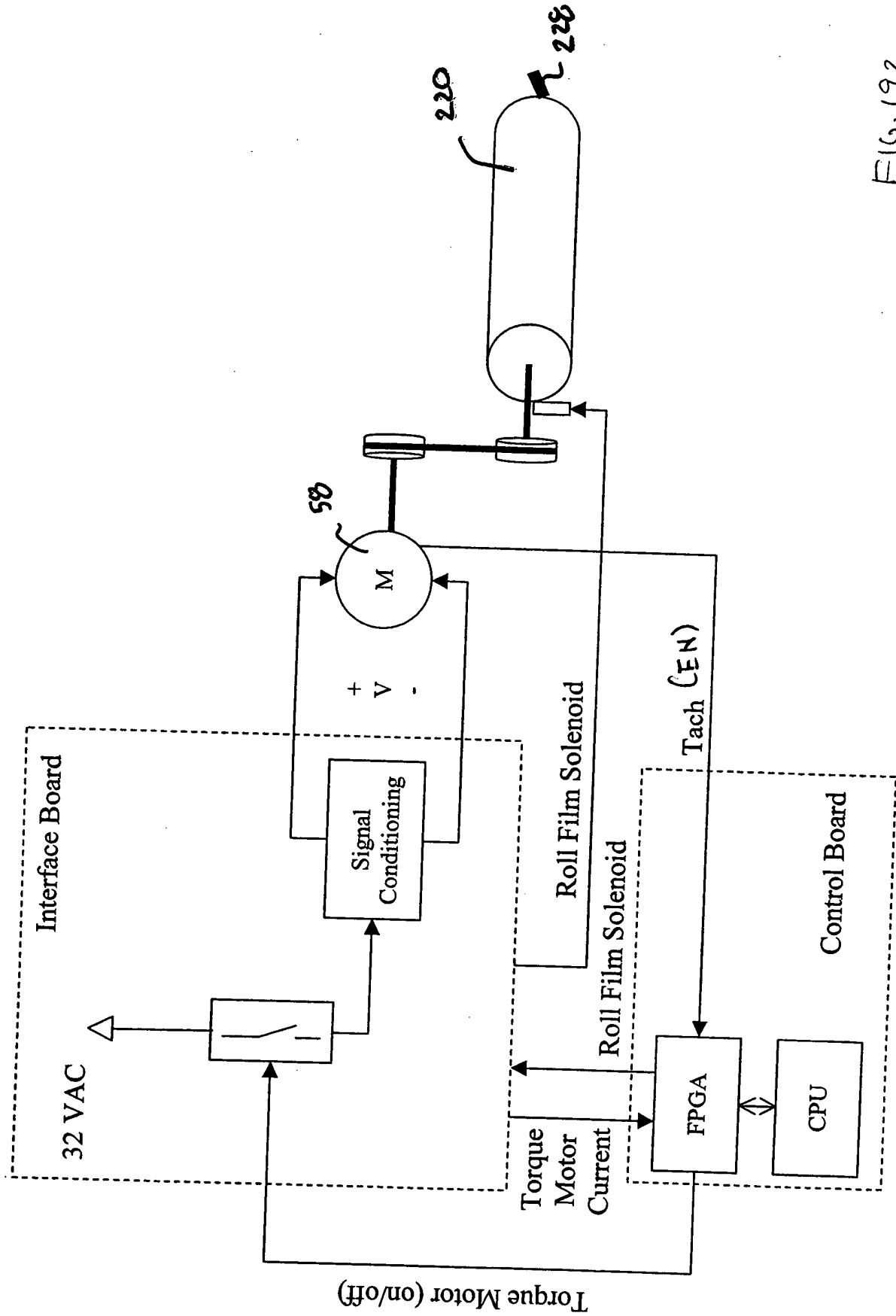


FIG. 192

Chemical Temperature Control (Hoses)

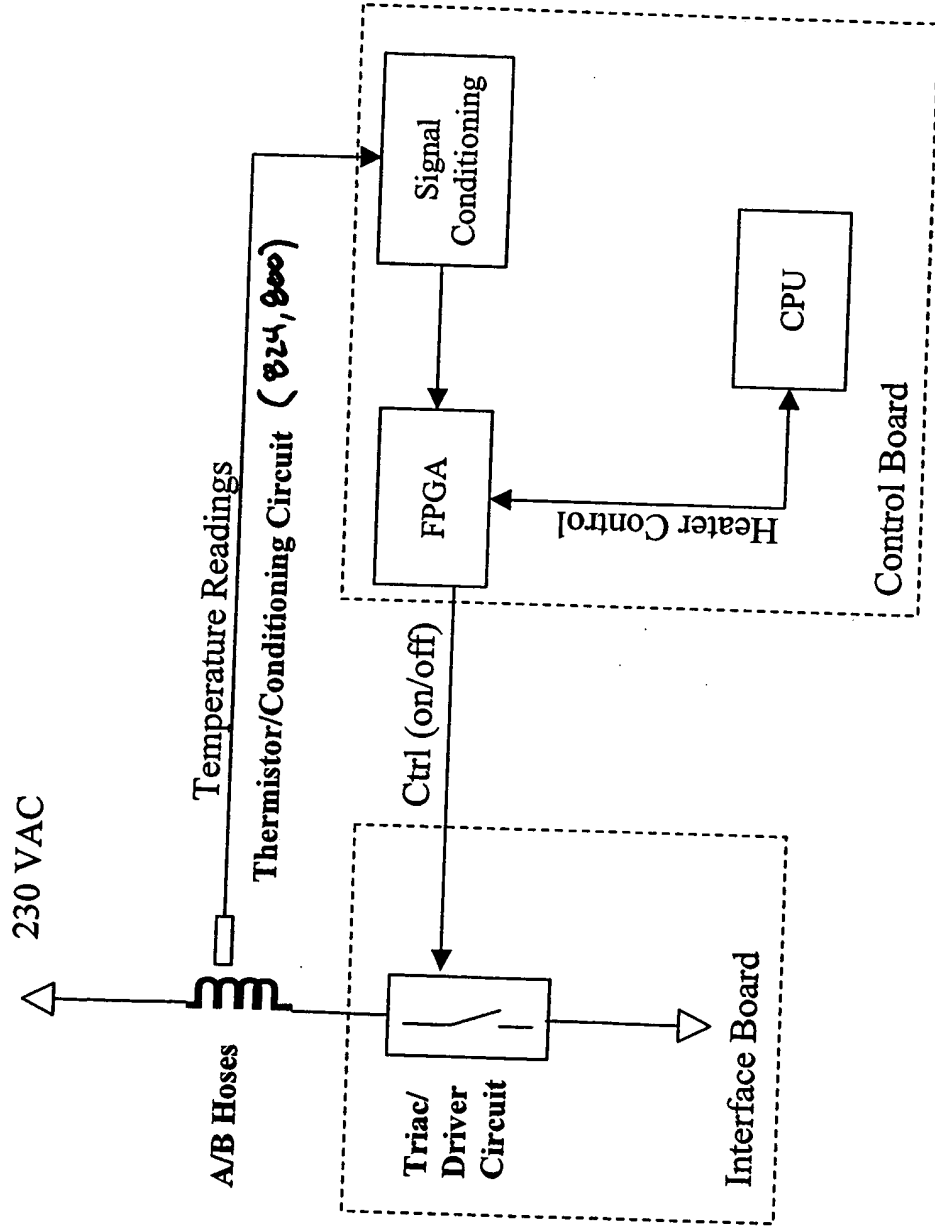


FIG. 193

Chemical Temperature Control (Manifold Zones)

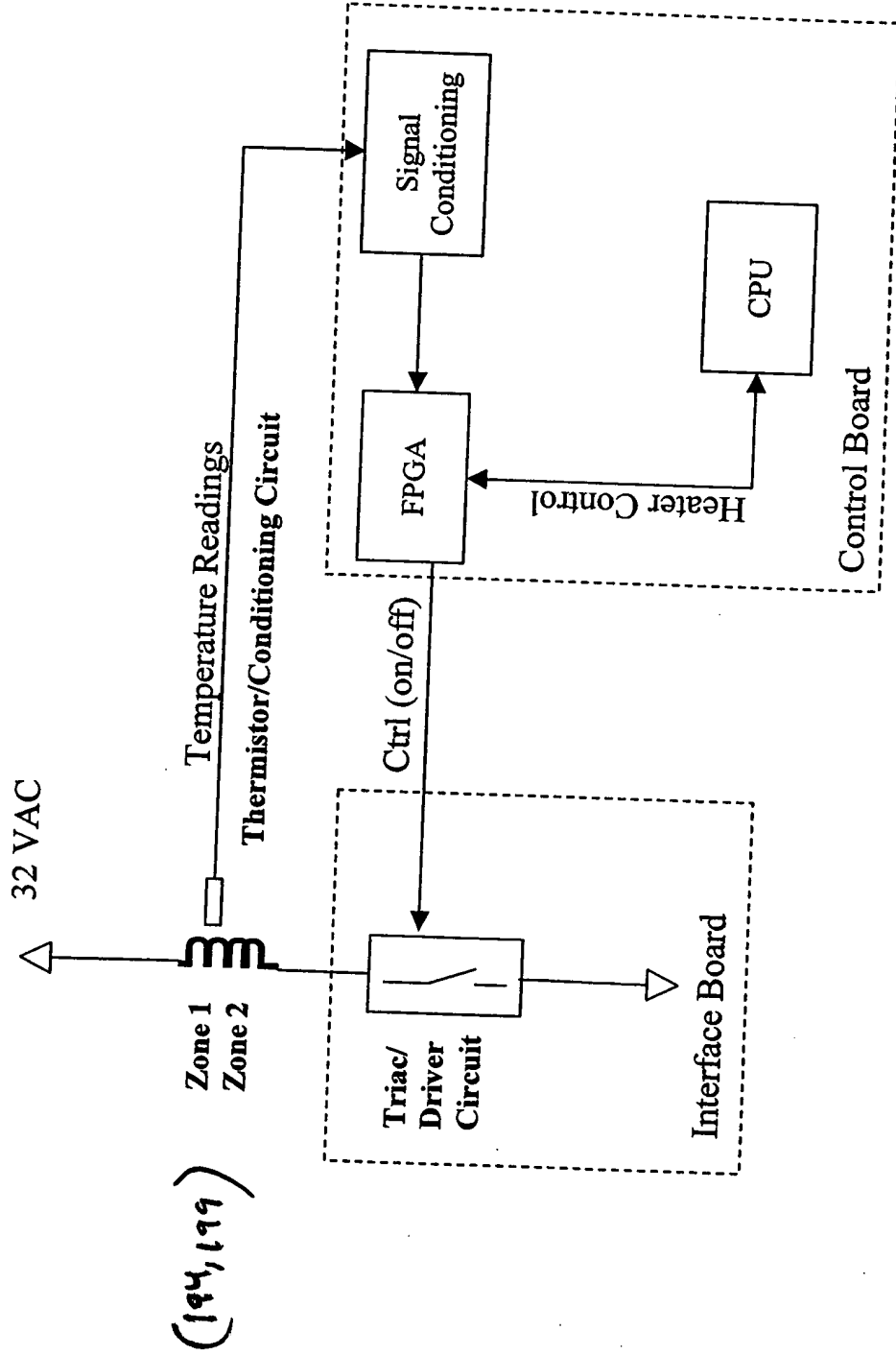


FIG. 194

Chemical Pressure

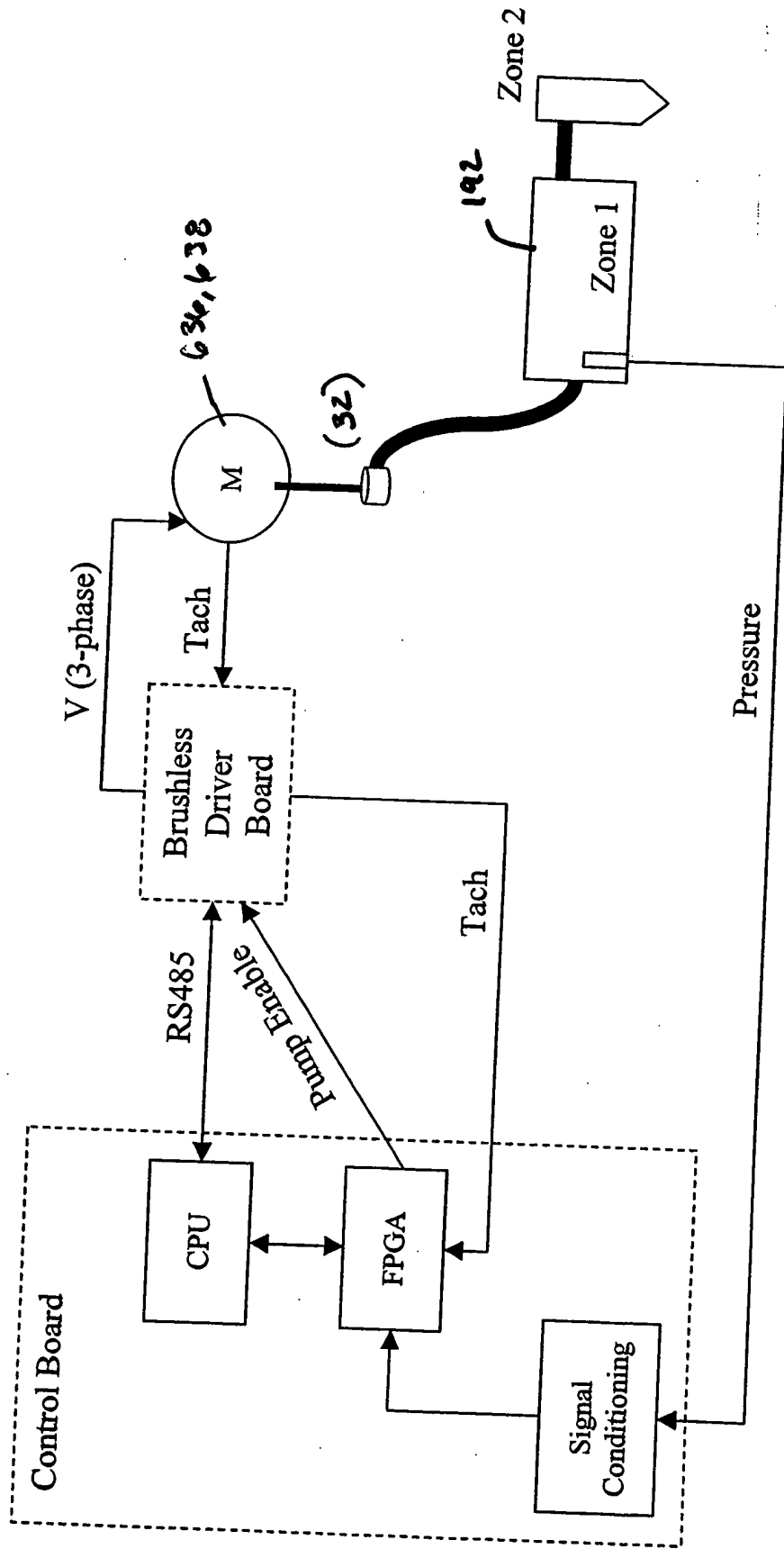


FIG. 195

Solvent System Control

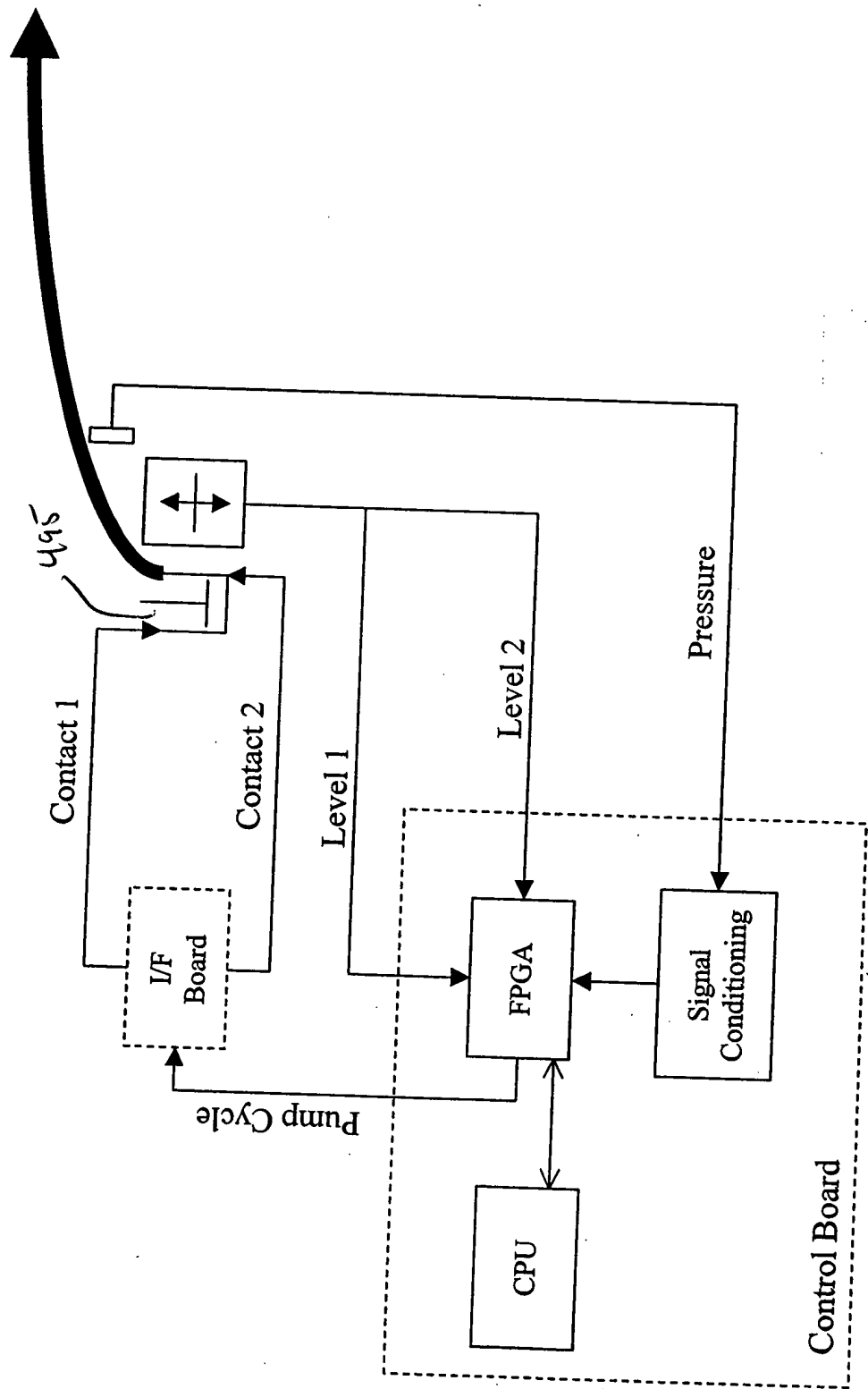
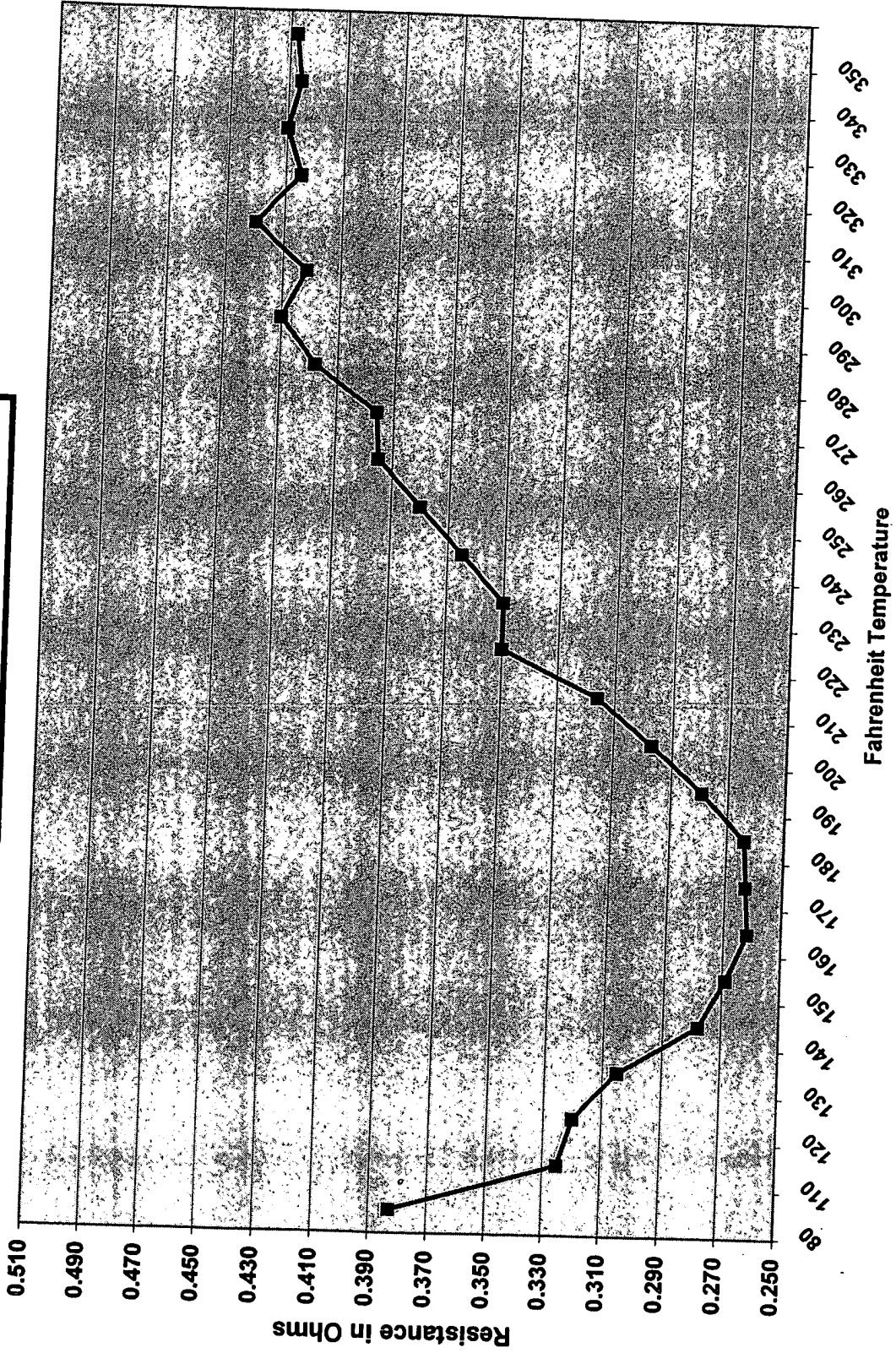


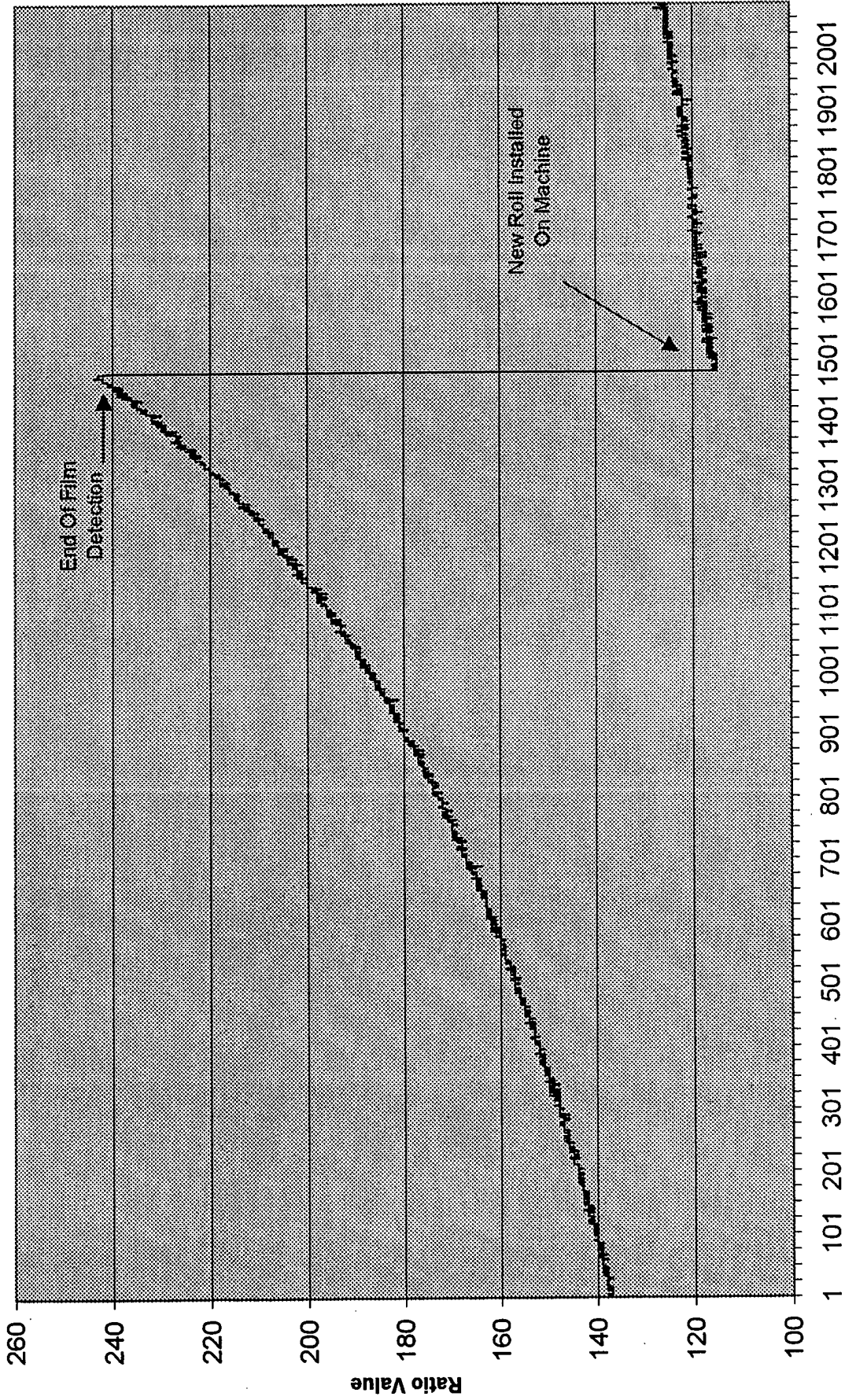
FIG. 196

TCR

FIG. 197



Film Advance/Tension Motor Tach Ratio



Shot Number

FIG. 198

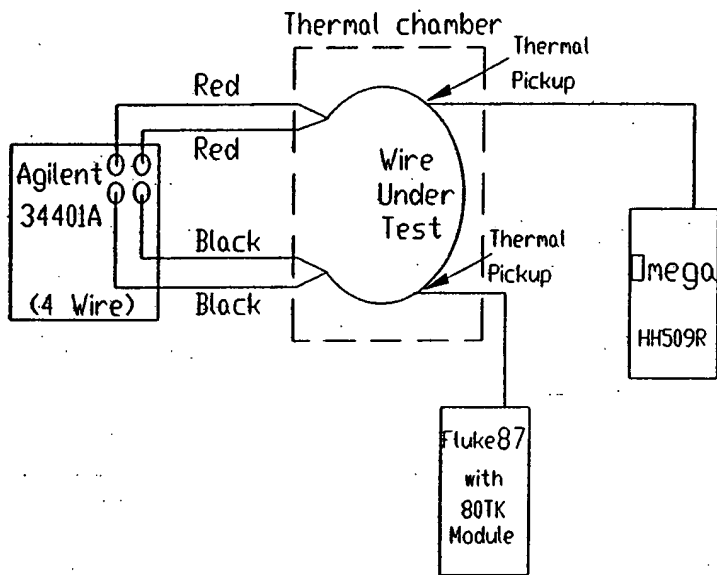


FIG. 199

**This Page is Inserted by IFW Indexing and Scanning
Operations and is not part of the Official Record**

BEST AVAILABLE IMAGES

Defective images within this document are accurate representations of the original documents submitted by the applicant.

Defects in the images include but are not limited to the items checked:

- BLACK BORDERS
- IMAGE CUT OFF AT TOP, BOTTOM OR SIDES
- FADED TEXT OR DRAWING
- BLURRED OR ILLEGIBLE TEXT OR DRAWING
- SKEWED/SLANTED IMAGES
- COLOR OR BLACK AND WHITE PHOTOGRAPHS (some)
- GRAY SCALE DOCUMENTS
- LINES OR MARKS ON ORIGINAL DOCUMENT
- REFERENCE(S) OR EXHIBIT(S) SUBMITTED ARE POOR QUALITY
- OTHER: _____

IMAGES ARE BEST AVAILABLE COPY.

As rescanning these documents will not correct the image problems checked, please do not report these problems to the IFW Image Problem Mailbox.